

# ISO772x High-Speed, Robust EMC, Reinforced and Basic Dual-Channel Digital Isolators

## 1 Features

- 100 Mbps data rate
- Robust isolation barrier:
  - >30-Year projected lifetime at 1.5 kV<sub>RMS</sub> working voltage
  - Up to 5000 V<sub>RMS</sub> Isolation Rating
  - Up to 12.8 kV surge capability
  - ±100 kV/μs Typical CMTI
- Wide supply range: 2.25 V to 5.5 V
- 2.25-V to 5.5-V level translation
- Default output *High* (ISO772x) and *Low* (ISO772xF) Options
- Wide temperature range: –55°C to +125°C
- Low power consumption, typical 1.7 mA per channel at 1 Mbps
- Low propagation delay: 11 ns typical
- Robust electromagnetic compatibility (EMC)
  - System-Level ESD, EFT, and surge immunity
  - ±8 kV IEC 61000-4-2 contact discharge protection across isolation barrier
  - Low emissions
- Wide-SOIC (DW-16, DWV-8) and Narrow-SOIC (D-8) package options
- Automotive Version Available: [ISO772x-Q1](#)
- Safety-Related Certifications
  - DIN EN IEC 60747-17 (VDE 0884-17)
  - UL 1577 component recognition program
  - IEC 61010-1, IEC 62368-1, IEC 60601-1, and GB 4943.1 certifications

## 2 Applications

- [Industrial automation](#)
- [Motor control](#)
- [Power supplies](#)
- [Solar inverters](#)
- [Medical equipment](#)

## 3 Description

The ISO772x devices are high-performance, dual-channel digital isolators with 5000 V<sub>RMS</sub> (DW and DWV packages) and 3000 V<sub>RMS</sub> (D package) isolation ratings per UL 1577. This family includes devices with reinforced insulation ratings according to VDE, CSA, TUV and CQC. The ISO7721B device is designed for applications that require basic insulation ratings only.

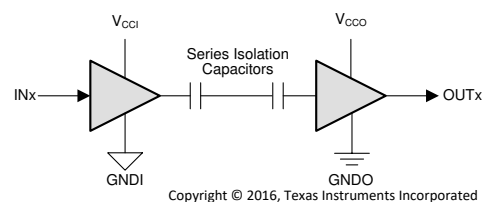
The ISO772x devices provide high electromagnetic immunity and low emissions at low power consumption, while isolating CMOS or LVCMOS

digital I/Os. Each isolation channel has a logic input and output buffer separated by a double capacitive silicon dioxide (SiO<sub>2</sub>) insulation barrier. The ISO7720 device has both channels in the same direction while the ISO7721 device has both channels in the opposite direction. In the event of input power or signal loss, the default output is *high* for devices without suffix F and *low* for devices with suffix F. See the [Device Functional Modes](#) section for further details.

Used in conjunction with isolated power supplies, these devices help prevent noise currents on data buses, such as RS-485, RS-232, and CAN, from damaging sensitive circuitry. Through innovative chip design and layout techniques, the electromagnetic compatibility of the ISO772x devices has been significantly enhanced to ease system-level ESD, EFT, surge, and emissions compliance. The ISO772x family of devices is available in 16-pin SOIC wide-body (DW), 8-pin SOIC wide-body (DWV), and 8-pin SOIC narrow-body (D) packages.

### Device Information

| PART NUMBER                            | PACKAGE | BODY SIZE (NOM)    |
|--|---------|--------------------|
| ISO7720, ISO7721<br>ISO7721F, ISO7721F | D (8)   | 4.90 mm × 3.91 mm  |
|  | DWV (8) | 5.85 mm × 7.50 mm  |
|  | DW (16) | 10.30 mm × 7.50 mm |
| ISO7721B, ISO7721FB                    | DW (16) | 10.30 mm × 7.50 mm |



V<sub>CCI</sub>=Input supply, V<sub>CCO</sub>=Output supply  
 GNDI=Input ground, GNDO=output ground

### Simplified Schematic

## Table of Contents

|   |    |  |    |
|---|----|--|----|
| <b>1 Features</b> .....                               | 1  | 6.19 Typical Characteristics.....                                | 20 |
| <b>2 Applications</b> .....                           | 1  | <b>7 Parameter Measurement Information</b> .....                 | 22 |
| <b>3 Description</b> .....                            | 1  | <b>8 Detailed Description</b> .....                              | 23 |
| <b>4 Revision History</b> .....                       | 2  | 8.1 Overview.....  | 23 |
| <b>5 Pin Configuration and Functions</b> .....        | 4  | 8.2 Functional Block Diagram.....                                | 23 |
| <b>6 Specifications</b> .....                         | 7  | 8.3 Feature Description.....                                     | 24 |
| 6.1 Absolute Maximum Ratings.....                     | 7  | 8.4 Device Functional Modes.....                                 | 25 |
| 6.2 ESD Ratings.....                                  | 7  | <b>9 Application and Implementation</b> .....                    | 26 |
| 6.3 Recommended Operating Conditions.....             | 8  | 9.1 Application Information.....                                 | 26 |
| 6.4 Thermal Information.....                          | 9  | 9.2 Typical Application.....                                     | 27 |
| 6.5 Power Ratings.....                                | 9  | <b>10 Power Supply Recommendations</b> .....                     | 31 |
| 6.6 Insulation Specifications.....                    | 10 | <b>11 Layout</b> .....   | 32 |
| 6.7 Safety-Related Certifications.....                | 12 | 11.1 Layout Guidelines.....                                      | 32 |
| 6.8 Safety Limiting Values.....                       | 12 | 11.2 Layout Example.....   | 32 |
| 6.9 Electrical Characteristics—5-V Supply.....        | 14 | <b>12 Device and Documentation Support</b> .....                 | 33 |
| 6.10 Supply Current Characteristics—5-V Supply.....   | 14 | 12.1 Device Support.....   | 33 |
| 6.11 Electrical Characteristics—3.3-V Supply.....     | 15 | 12.2 Documentation Support.....                                  | 33 |
| 6.12 Supply Current Characteristics—3.3-V Supply..... | 15 | 12.3 Receiving Notification of Documentation Updates.....        | 33 |
| 6.13 Electrical Characteristics—2.5-V Supply.....     | 16 | 12.4 Community Resources.....                                    | 33 |
| 6.14 Supply Current Characteristics—2.5-V Supply..... | 16 | 12.5 Trademarks.....   | 33 |
| 6.15 Switching Characteristics—5-V Supply.....        | 17 | 12.6 Electrostatic Discharge Caution.....                        | 33 |
| 6.16 Switching Characteristics—3.3-V Supply.....      | 17 | 12.7 Glossary.....   | 33 |
| 6.17 Switching Characteristics—2.5-V Supply.....      | 18 | <b>13 Mechanical, Packaging, and Orderable Information</b> ..... | 33 |
| 6.18 Insulation Characteristics Curves.....           | 18 |  |    |

## 4 Revision History

NOTE: Page numbers for previous revisions may differ from page numbers in the current version.

| Changes from Revision F (April 2023) to Revision G (May 2024)  | Page |
|--|------|
| • Updated numbering format for tables, figures and cross-references throughout document.....   | 1    |
| • Updated Thermal Characteristics, Safety Limiting Values, and Thermal Derating Curves to provide more accurate system-level thermal calculations..... | 7    |
| • Updated electrical and switching characteristics to match device performance.....  | 7    |

| Changes from Revision E (March 2020) to Revision F (April 2023)  | Page |
|--|------|
| • Changed standard name from: "DIN VDE V 0884-11:2017-01" to: "DIN EN IEC 60747-17 (VDE 0884-17)" throughout the document.....   | 1    |
| • Removed standard revision and year references from all standard names throughout the document.....   | 1    |
| • Changed test conditions and values of Maximum surge isolation voltage ( $V_{IOSM}$ ) specification per DIN EN IEC 60747-17 (VDE 0884-17).....  | 10   |
| • Added Maximum impulse voltage ( $V_{IMP}$ ) specification per DIN EN IEC 60747-17 (VDE 0884-17).....   | 10   |
| • Clarified method b test conditions of Apparent charge ( $q_{PD}$ ).....  | 10   |
| • Removed references to standard IEC/EN/CSA 60950-1 throughout the document.....   | 12   |
| • Changed working voltage lifetime margin from 87.5% to 50%, minimum required insulation lifetime from 37.5 years to 30 years, and insulation lifetime per TDDB from 135 years to 169 years in <i>Insulation Lifetime</i> per DIN EN IEC 60747-17 (VDE 0884-17)..... | 29   |
| • Changed <a href="#">Figure 9-6</a> per DIN EN IEC 60747-17 (VDE 0884-17).....  | 29   |

| <b>Changes from Revision D (January 2019) to Revision E (March 2020)</b>   | <b>Page</b> |
|--|-------------|
| • Added ISO7721B device to this data sheet for applications that require basic insulation only. Previous data sheet literature number for ISO7721B was SLLSEY9A.....   | 1           |
| • Changed VDE standard name From: DIN V VDE V 0884-11:2017-01 To: DIN VDE V 0884-11:2017-01 throughout the document .....  | 1           |
| • Changed UL certification bullet in <a href="#">Section 1</a> From: '5000 V <sub>RMS</sub> (DW-16, DWV-8) and 3000 V <sub>RMS</sub> (D-8) Isolation Rating per UL 1577' To: 'UL 1577 component recognition program' ..... | 1           |
| • Combined CSA, CQC, and TUV <a href="#">Section 1</a> bullets into a single bullet.....   | 1           |
| • Updated certification information.....   | 12          |

| <b>Changes from Revision C (July 2018) to Revision D (January 2019)</b>  | <b>Page</b> |
|--|-------------|
| • Made editorial and cosmetic changes throughout the document.....   | 1           |
| • Changed From: "Isolation Barrier Life: >40 Years" To: ">100-Year Projected Lifetime at 1.5 kV <sub>RMS</sub> Working Voltage" in <a href="#">Section 1</a> .....   | 1           |
| • Added "Up to 5000 V <sub>RMS</sub> Isolation Rating" in <a href="#">Section 1</a> .....  | 1           |
| • Added "Up to 12.8 kV Surge Capability" in <a href="#">Section 1</a> .....  | 1           |
| • Added "±8 kV IEC 61000-4-2 Contact Discharge Protection across Isolation Barrier" in <a href="#">Section 1</a> .....   | 1           |
| • Added "Automotive Version Available: ISO772x-Q1" in <a href="#">Section 1</a> .....  | 1           |
| • Deleted "Certification Planned" statement throughout the document .....  | 1           |
| • Updated <a href="#">Section 2</a> list.....  | 1           |
| • Updated <a href="#">Figure 3-1</a> to show two isolation capacitors in series per channel instead of a single isolation capacitor .....  | 1           |
| • Added "Contact discharge per IEC 61000-4-2" specification of 8000 V.....   | 7           |
| • Changed "signaling rate" to "data rate" and added table note.....  | 8           |
| • Updated DWV-8 and DW-16 package's V <sub>IORM</sub> and V <sub>IOWM</sub> values, added TDDb figure reference, and updated test conditions for V <sub>IOTM</sub> , V <sub>IOSM</sub> , and q <sub>pd</sub> ..... | 10          |
| • Updated certification information.....   | 12          |
| • Added <a href="#">Section 9.2.3.1</a> sub-section under <a href="#">Section 9.2.3</a> section.....   | 29          |
| • Added 'How to use isolation to improve ESD, EFT and Surge immunity in industrial systems' application report to <a href="#">Section 12.2</a> section.....  | 33          |

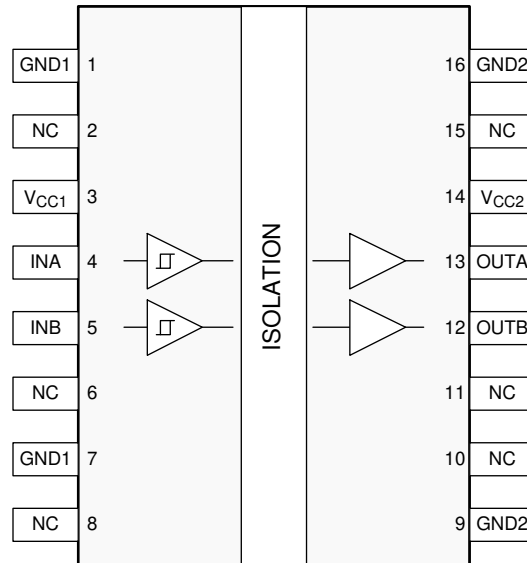
| <b>Changes from Revision B (March 2017) to Revision C (July 2018)</b>  | <b>Page</b> |
|--|-------------|
| • Added the 8-pin SOIC package (DWV) to the data sheet .....   | 1           |
| • Updated the VDE and CSA certification description throughout the document.....   | 1           |
| • Updated Climatic category for D package.....   | 10          |
| • Updated Maximum working voltages for DW-16 and D-8.....  | 12          |
| • Switched the line colors for V <sub>CC</sub> at 2.5 V and V <sub>CC</sub> at 3.3 V in the <i>Low-Level Output Voltage vs Low-Level Output Current</i> graph..... | 20          |
| • Deleted EN from the <i>Common-Mode Transient Immunity Test Circuit</i> figure.....   | 22          |
| • Added the <i>Device Support</i> section.....   | 33          |

| <b>Changes from Revision A (December 2016) to Revision B (March 2017)</b>           | <b>Page</b> |
|---|-------------|
| • Added D-8 values for TUV column.....  | 12          |
| • Changed minimum CMTI value from 40 kV/μs to 85 kV/μs throughout the document..... | 14          |
| • Added the <i>Receiving Notification of Documentation Updates</i> section.....     | 33          |
| • Changed the <i>Electrostatic Discharge Caution</i> statement .....                | 33          |

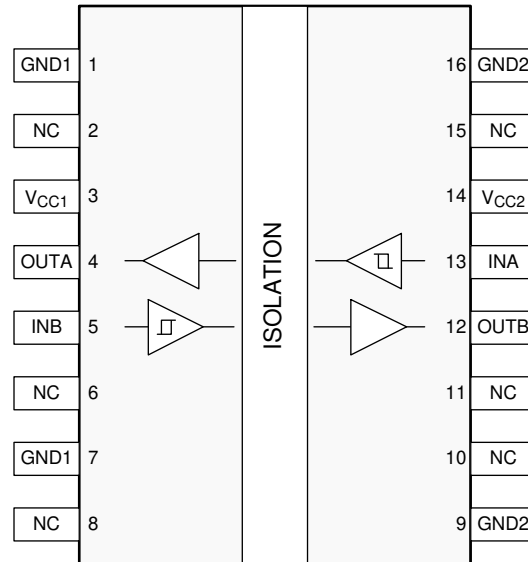
**Changes from Revision \* (November 2016) to Revision A (December 2016)** **Page**

- Changed *Feature* From: IEC 60950-1, IEC 60601-1 and IEC 61010-1 End Equipment Standards To: IEC 60950-1 and IEC 60601-1 End Equipment Standards ..... **1**
- Added Climatic category to table..... **10**
- Updated CSA column and changed DW package to (DW-16)..... **12**
- Changed  $t_{ie}$  TYP value from 1.5 to 1 throughout the document..... **17**

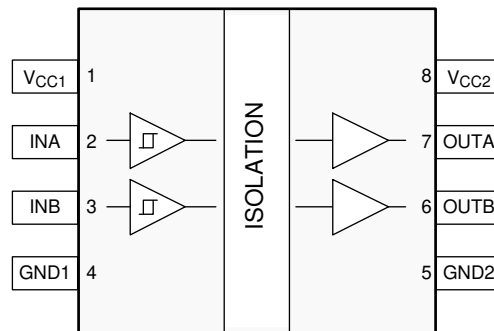
**5 Pin Configuration and Functions**



**Figure 5-1. ISO7720 DW Package 16-Pin SOIC Top View**



**Figure 5-2. ISO7721 DW Package 16-Pin SOIC Top View**



**Figure 5-3. ISO7720 D and DWV Package 8-Pin SOIC Top View**

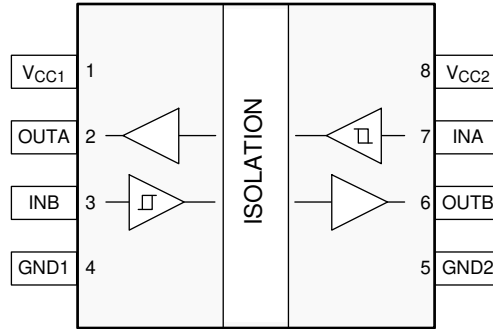


Figure 5-4. ISO7721 D and DWV Package 8-Pin SOIC Top View

Table 5-1. Pin Functions

| NAME             | PIN                 |                     |                |         | I/O <sup>(1)</sup> | DESCRIPTION                            |
|------------------|---------------------|---------------------|----------------|---------|--------------------|--|
|                  | DW PACKAGE          |                     | D, DWV PACKAGE |         |                    |  |
|                  | ISO7720             | ISO7721             | ISO7720        | ISO7721 |                    |  |
| GND1             | 1, 7                | 1, 7                | 4              | 4       | —                  | Ground connection for V <sub>CC1</sub> |
| GND2             | 9                   | 9                   | 5              | 5       | —                  | Ground connection for V <sub>CC2</sub> |
|                  | 16                  | 16                  |                |         |                    |  |
| INA              | 4                   | 13                  | 2              | 7       | I                  | Input, channel A                       |
| INB              | 5                   | 5                   | 3              | 3       | I                  | Input, channel B                       |
| NC               | 2, 6, 8, 10, 11, 15 | 2, 6, 8, 10, 11, 15 | —              | —       | —                  | Not connected                          |
| OUTA             | 13                  | 4                   | 7              | 2       | O                  | Output, channel A                      |
| OUTB             | 12                  | 12                  | 6              | 6       | O                  | Output, channel B                      |
| V <sub>CC1</sub> | 3                   | 3                   | 1              | 1       | —                  | Power supply, V <sub>CC1</sub>         |
| V <sub>CC2</sub> | 14                  | 14                  | 8              | 8       | —                  | Power supply, V <sub>CC2</sub>         |

(1) I = Input, O = Output

## 6 Specifications

### 6.1 Absolute Maximum Ratings

See<sup>(1)</sup>

|                    |                               | MIN  | MAX                            | UNIT |
|--------------------|-------------------------------|------|--------------------------------|------|
| $V_{CC1}, V_{CC2}$ | Supply voltage <sup>(2)</sup> | -0.5 | 6                              | V    |
| V                  | Voltage at INx, OUTx          | -0.5 | $V_{CCX} + 0.5$ <sup>(3)</sup> | V    |
| $I_O$              | Output current                | -15  | 15                             | mA   |
| $T_J$              | Junction temperature          |      | 150                            | °C   |
| $T_{stg}$          | Storage temperature           | -65  | 150                            | °C   |

- (1) Stresses beyond those listed under Absolute Maximum Ratings may cause permanent damage to the device. These are stress ratings only, which do not imply functional operation of the device at these or any other conditions beyond those indicated under Recommended Operating Conditions. Exposure to absolute-maximum-rated conditions for extended periods may affect device reliability.
- (2) All voltage values except differential I/O bus voltages are with respect to the local ground terminal (GND1 or GND2) and are peak voltage values
- (3) Maximum voltage must not exceed 6 V.

### 6.2 ESD Ratings

|           |                         |  | VALUE | UNIT |
|-----------|-------------------------|--|-------|------|
| $V_{ESD}$ | Electrostatic discharge | Human body model (HBM), per ANSI/ESDA/JEDEC JS-001, all pins <sup>(1)</sup>              | ±6000 | V    |
|           |                         | Charged device model (CDM), per JEDEC specification JESD22-C101, all pins <sup>(2)</sup> | ±1500 |      |
|           |                         | Contact discharge per IEC 61000-4-2; Isolation barrier withstand test <sup>(3) (4)</sup> | ±8000 |      |

- (1) JEDEC document JEP155 states that 500-V HBM allows safe manufacturing with a standard ESD control process.
- (2) JEDEC document JEP157 states that 250-V CDM allows safe manufacturing with a standard ESD control process.
- (3) IEC ESD strike is applied across the barrier with all pins on each side tied together creating a two-terminal device.
- (4) Testing is carried out in air or oil to determine the intrinsic contact discharge capability of the device.

### 6.3 Recommended Operating Conditions

over operating free-air temperature range (unless otherwise noted)

|                                   |   | MIN                                   | NOM | MAX                  | UNIT |
|-----------------------------------|---|---------------------------------------|-----|----------------------|------|
| $V_{CC1}, V_{CC2}$ <sup>(1)</sup> | Supply voltage                                | 2.25                                  |     | 5.5                  | V    |
| $V_{CC(UVLO+)}$                   | UVLO threshold when supply voltage is rising  |                                       | 2   | 2.25                 | V    |
| $V_{CC(UVLO-)}$                   | UVLO threshold when supply voltage is falling | 1.7                                   | 1.8 |                      | V    |
| $V_{HYS(UVLO)}$                   | Supply voltage UVLO hysteresis                | 100                                   | 200 |                      | mV   |
| $I_{OH}$                          | High level output current                     | $V_{CCO} = 5\text{ V}$ <sup>(2)</sup> |     | -4                   | mA   |
|                                   |   | $V_{CCO} = 3.3\text{ V}$              |     | -2                   |      |
|                                   |   | $V_{CCO} = 2.5\text{ V}$              |     | -1                   |      |
| $I_{OL}$                          | Low level output current                      | $V_{CCO} = 5\text{ V}$                |     | 4                    | mA   |
|                                   |   | $V_{CCO} = 3.3\text{ V}$              |     | 2                    |      |
|                                   |   | $V_{CCO} = 2.5\text{ V}$              |     | 1                    |      |
| $V_{IH}$                          | High level Input voltage                      | $0.7 \times V_{CCI}$ <sup>(2)</sup>   |     | $V_{CCI}$            | V    |
| $V_{IL}$                          | Low level Input voltage                       | 0                                     |     | $0.3 \times V_{CCI}$ | V    |
| $DR$ <sup>(3)</sup>               | Data Rate                                     | 0                                     |     | 100                  | Mbps |
| $T_A$                             | Ambient temperature                           | -55                                   | 25  | 125                  | °C   |

(1)  $V_{CC1}$  and  $V_{CC2}$  can be set independent of one another

(2)  $V_{CCI} = \text{Input-side } V_{CC}$ ;  $V_{CCO} = \text{Output-side } V_{CC}$

(3) 100 Mbps is the maximum specified data rate, although higher data rates are possible



## 6.4 Thermal Information

| THERMAL METRIC <sup>(1)</sup> |  | ISO772x   |            |          | UNIT |
|-------------------------------|--|-----------|------------|----------|------|
|                               |  | DW (SOIC) | DWV (SOIC) | D (SOIC) |      |
|                               |  | 16 PINS   | 16 PINS    | 8 PINS   |      |
| $R_{\theta JA}$               | Junction-to-ambient thermal resistance       | 86.5      | 84.3       | 137.7    | °C/W |
| $R_{\theta JC(top)}$          | Junction-to-case (top) thermal resistance    | 49.6      | 36.3       | 54.9     | °C/W |
| $R_{\theta JB}$               | Junction-to-board thermal resistance         | 49.7      | 47.0       | 71.7     | °C/W |
| $\Psi_{JT}$                   | Junction-to-top characterization parameter   | 32.3      | 7.4        | 7.1      | °C/W |
| $\Psi_{JB}$                   | Junction-to-board characterization parameter | 49.2      | 45.1       | 70.7     | °C/W |
| $R_{\theta JC(bot)}$          | Junction-to-case (bottom) thermal resistance | —         | —          | —        | °C/W |

(1) For more information about traditional and new thermal metrics, see the [Semiconductor and IC Package Thermal Metrics application report](#).

## 6.5 Power Ratings

| PARAMETER      |  | TEST CONDITIONS   | MIN | TYP | MAX | UNIT |
|----------------|--|---|-----|-----|-----|------|
| <b>ISO7720</b> |  |   |     |     |     |      |
| $P_D$          | Maximum power dissipation (both sides) | $V_{CC1} = V_{CC2} = 5.5\text{ V}$ , $T_J = 150^\circ\text{C}$ , $C_L = 15\text{ pF}$ , Input 50-MHz 50% duty cycle square wave   |     |     | 110 | mW   |
| $P_{D1}$       | Maximum power dissipation (side-1)     |   |     |     | 22  | mW   |
| $P_{D2}$       | Maximum power dissipation (side-2)     |   |     |     | 88  | mW   |
| <b>ISO7721</b> |  |   |     |     |     |      |
| $P_D$          | Maximum power dissipation (both sides) | $V_{CC1} = V_{CC2} = 5.5\text{ V}$ , $T_J = 150^\circ\text{C}$ , $C_L = 15\text{ pF}$ , Input a 50-MHz 50% duty cycle square wave |     |     | 110 | mW   |
| $P_{D1}$       | Maximum power dissipation (side-1)     |   |     |     | 55  | mW   |
| $P_{D2}$       | Maximum power dissipation (side-2)     |   |     |     | 55  | mW   |

### 6.6 Insulation Specifications

| PARAMETER  |   | TEST CONDITIONS  | VALUE  |                    |                    | UNIT            |                  |
|--|---|--|--|--------------------|--------------------|-----------------|------------------|
|  |   |  | DW   | DWV                | D                  |                 |                  |
| <b>IEC 60664-1</b>                                     |   |  |  |                    |                    |                 |                  |
| CLR  | External clearance <sup>(1)</sup>   | Shortest terminal-to-terminal distance through air   | 8  | 8.5                | 4                  | mm              |                  |
| CPG  | External creepage <sup>(1)</sup>  | Shortest terminal-to-terminal distance across the package surface  | 8  | 8.5                | 4                  | mm              |                  |
| DTI  | Distance through the insulation   | Minimum internal gap (internal clearance)  | 17   | 17                 | 17                 | µm              |                  |
| CTI  | Comparative tracking index  | DIN EN 60112 (VDE 0303-11); IEC 60112; UL 746A   | >600   | >600               | >600               | V               |                  |
|  | Material Group  | According to IEC 60664-1   | I  | I                  | I                  |                 |                  |
|  | Overvoltage category per IEC 60664-1  | Rated mains voltage ≤ 150 V <sub>RMS</sub>   | I-IV   | I-IV               | I-IV               |                 |                  |
|  |   | Rated mains voltage ≤ 300 V <sub>RMS</sub>   | I-IV   | I-IV               | I-III              |                 |                  |
|  |   | Rated mains voltage ≤ 600 V <sub>RMS</sub>   | I-IV   | I-IV               | n/a                |                 |                  |
|  |   | Rated mains voltage ≤ 1000 V <sub>RMS</sub>  | I-III  | I-III              | n/a                |                 |                  |
| <b>DIN EN IEC 60747-17 (VDE 0884-17)<sup>(2)</sup></b> |   |  |  |                    |                    |                 |                  |
| V <sub>IORM</sub>                                      | Maximum repetitive peak isolation voltage   | AC voltage (bipolar)   | ISO772x  | 2121               | 2121               | 637             | V <sub>PK</sub>  |
|  |   |  | ISO7721B   | 1414               | n/a                | n/a             |                  |
| V <sub>IOWM</sub>                                      | Maximum working isolation voltage   | AC voltage; time-dependent dielectric breakdown (TDDb) test, see <a href="#">Figure 9-6</a>  | ISO772x  | 1500               | 1500               | 450             | V <sub>RMS</sub> |
|  |   |  | ISO7721B   | 1000               | n/a                | n/a             |                  |
|  |   | DC voltage   | ISO772x  | 2121               | 2121               | 637             | V <sub>DC</sub>  |
|  |   |  | ISO7721B   | 1414               | n/a                | n/a             |                  |
| V <sub>IOTM</sub>                                      | Maximum transient isolation voltage   | V <sub>TEST</sub> = V <sub>IOTM</sub> , t = 60 s (qualification);<br>V <sub>TEST</sub> = 1.2 × V <sub>IOTM</sub> , t = 1 s (100% production)   | 8000   | 7071               | 4242               | V <sub>PK</sub> |                  |
| V <sub>IMP</sub>                                       | Maximum impulse voltage <sup>(3)</sup>  | Tested in air, 1.2/50-µs waveform per IEC 62368-1  | ISO772x  | 8000               | 8000               | 5000            | V <sub>PK</sub>  |
|  |   |  | ISO7721B   | 6000               | n/a                | n/a             |                  |
| V <sub>IOSM</sub>                                      | Maximum surge isolation voltage <sup>(4)</sup>  | V <sub>IOSM</sub> ≥ 1.3 × V <sub>IMP</sub> ; Tested in oil (qualification test), 1.2/50-µs waveform, per IEC 62368-1   | ISO772x  | 12800              | 12800              | 10000           | V <sub>PK</sub>  |
|  |   |  | ISO7721B   | 7800               | n/a                | n/a             | V <sub>PK</sub>  |
| q <sub>pd</sub>  | Apparent charge <sup>(5)</sup>  | Method a: After I/O safety test subgroup 2/3,<br>V <sub>ini</sub> = V <sub>IOTM</sub> , t <sub>ini</sub> = 60 s;<br>V <sub>pd(m)</sub> = 1.2 × V <sub>IORM</sub> , t <sub>m</sub> = 10 s |  | ≤ 5                | ≤ 5                | ≤ 5             | pC               |
|  |   | Method a: After environmental tests subgroup 1,<br>V <sub>ini</sub> = V <sub>IOTM</sub> , t <sub>ini</sub> = 60 s;   | V <sub>pd(m)</sub> = 1.6 × V <sub>IORM</sub> ,<br>t <sub>m</sub> = 10 s (ISO772x)  | ≤ 5                | ≤ 5                | ≤ 5             |                  |
|  |   |  | V <sub>pd(m)</sub> = 1.3 × V <sub>IORM</sub> ,<br>t <sub>m</sub> = 10 s (ISO7721B) | ≤ 5                | n/a                | n/a             |                  |
|  | Method b: At routine test (100% production) and preconditioning (type test);<br>V <sub>ini</sub> = 1.2 × V <sub>IOTM</sub> , t <sub>ini</sub> = 1 s;<br>V <sub>pd(m)</sub> = 1.875 × V <sub>IORM</sub> (ISO772x) or V <sub>pd(m)</sub> = 1.5 × V <sub>IORM</sub> (ISO7721B), t <sub>m</sub> = 1 s (method b1) or<br>V <sub>pd(m)</sub> = V <sub>ini</sub> , t <sub>m</sub> = t <sub>ini</sub> (method b2) |  | ≤ 5  | ≤ 5                | ≤ 5                |                 |                  |
| C <sub>IO</sub>  | Barrier capacitance, input to output <sup>(6)</sup>   | V <sub>IO</sub> = 0.4 × sin (2 πft), f = 1 MHz   | ~0.5   | ~0.5               | ~0.5               | pF              |                  |
| R <sub>IO</sub>  | Isolation resistance <sup>(6)</sup>   | V <sub>IO</sub> = 500 V, T <sub>A</sub> = 25°C   | > 10 <sup>12</sup>   | > 10 <sup>12</sup> | > 10 <sup>12</sup> | Ω               |                  |
|  |   | V <sub>IO</sub> = 500 V, 100°C ≤ T <sub>A</sub> ≤ 125°C  | > 10 <sup>11</sup>   | > 10 <sup>11</sup> | > 10 <sup>11</sup> |                 |                  |
|  |   | V <sub>IO</sub> = 500 V at T <sub>S</sub> = 150°C  | > 10 <sup>9</sup>  | > 10 <sup>9</sup>  | > 10 <sup>9</sup>  |                 |                  |
|  | Pollution degree  |  | 2  | 2                  | 2                  |                 |                  |
|  | Climatic category   |  | 55/125/21  | 55/125/21          | 55/125/21          |                 |                  |
| <b>UL 1577</b>   |   |  |  |                    |                    |                 |                  |

| PARAMETER |                             | TEST CONDITIONS   | VALUE |      |      | UNIT      |
|-----------|-----------------------------|---|-------|------|------|-----------|
|           |                             |   | DW    | DWV  | D    |           |
| $V_{ISO}$ | Withstand isolation voltage | $V_{TEST} = V_{ISO}$ , $t = 60$ s (qualification);<br>$V_{TEST} = 1.2 \times V_{ISO}$ , $t = 1$ s (100% production) | 5000  | 5000 | 3000 | $V_{RMS}$ |

- (1) Creepage and clearance requirements should be applied according to the specific equipment isolation standards of an application. Care should be taken to maintain the creepage and clearance distance of a board design to ensure that the mounting pads of the isolator on the printed-circuit board do not reduce this distance. Creepage and clearance on a printed-circuit board become equal in certain cases. Techniques such as inserting grooves, ribs, or both on a printed circuit board are used to help increase these specifications.
- (2) This coupler is suitable for *safe electrical insulation (ISO772x)* and *basic electrical insulation (ISO7721B)* only within the safety ratings. Compliance with the safety ratings shall be ensured by means of suitable protective circuits.
- (3) Testing is carried out in air to determine the surge immunity of the package
- (4) Testing is carried out in oil to determine the intrinsic surge immunity of the isolation barrier.
- (5) Apparent charge is electrical discharge caused by a partial discharge (pd).
- (6) All pins on each side of the barrier tied together creating a two-pin device.

### 6.7 Safety-Related Certifications

| VDE   | CSA   | UL  | CQC   | TUV  |
|---|---|---|---|--|
| Certified according to DIN EN IEC 60747-17 (VDE 0884-17)  | Certified according to IEC 62368-1 and IEC 60601-1  | Recognized under UL 1577 Component Recognition Program  | Certified according to GB4943.1   | Certified according to EN 61010-1 and EN 62368-1   |
| Maximum transient isolation voltage, 8000 V <sub>PK</sub> (DW-16), 7071 V <sub>PK</sub> (DWV-8) and 4242 V <sub>PK</sub> (D-8);<br>Maximum repetitive peak isolation voltage, 2121 V <sub>PK</sub> (DW-16, DWV-8, Reinforced), 1414 V <sub>PK</sub> (DW-16, Basic) and 637 V <sub>PK</sub> (D-8);<br>Maximum surge isolation voltage, 12800 V <sub>PK</sub> (DW-16, DWV-8, Reinforced), 7800 V <sub>PK</sub> (DW-16, Basic) and 10000 V <sub>PK</sub> (D-8) | 600 V <sub>RMS</sub> (DW-16) and 600 V <sub>RMS</sub> (DWV-8) reinforced insulation and 400 V <sub>RMS</sub> (D-8) basic insulation working voltage per CSA 62368-1 and IEC 62368-1, (pollution degree 2, material group I);<br>2 MOPP (Means of Patient Protection) per CSA 60601-1 and IEC 60601-1, 250 V <sub>RMS</sub> (DW-16, DWV-8) max working voltage | DW-16, DWV-8: Single protection, 5000 V <sub>RMS</sub> ;<br>D-8: Single protection, 3000 V <sub>RMS</sub> | DW-16, DWV-8: Reinforced Insulation, Altitude ≤ 5000 m, Tropical Climate, 700 V <sub>RMS</sub> maximum working voltage;<br>D-8: Basic Insulation, Altitude ≤ 5000 m, Tropical Climate, 400 V <sub>RMS</sub> maximum working voltage | 5000 V <sub>RMS</sub> (DW-16, DWV-8) and 3000 V <sub>RMS</sub> (D-8) Reinforced insulation per EN 61010-1 up to working voltage of 600 V <sub>RMS</sub> (DW-16, DWV-8) and 300 V <sub>RMS</sub> (D-8)<br>5000 V <sub>RMS</sub> (DW-16, DWV-8) and 3000 V <sub>RMS</sub> (D-8) Reinforced insulation per EN 62368-1 up to working voltage of 600 V <sub>RMS</sub> (DW-16, DWV-8) and 400 V <sub>RMS</sub> (D-8) |
| Certificate numbers: 40040142 (Reinforced) 40047657 (Basic)   | Master contract number: 220991  | File number: E181974  | Certificate numbers: CQC21001304083 (DW-16) CQC18001199096 (DWV-8) CQC15001121656 (D-8)   | Client ID number: 77311  |

### 6.8 Safety Limiting Values

Safety limiting<sup>(1)</sup> intends to minimize potential damage to the isolation barrier upon failure of input or output circuitry.

| PARAMETER            |  | TEST CONDITIONS   | MIN | TYP | MAX  | UNIT |
|----------------------|--|---|-----|-----|------|------|
| <b>DW-16 PACKAGE</b> |  |   |     |     |      |      |
| I <sub>S</sub>       | Safety input, output, or supply current                | R <sub>θJA</sub> = 86.5°C/W, V <sub>I</sub> = 5.5 V, T <sub>J</sub> = 150°C, T <sub>A</sub> = 25°C, see <a href="#">Figure 6-1</a>  |     |     | 263  | mA   |
|                      |  | R <sub>θJA</sub> = 86.5°C/W, V <sub>I</sub> = 3.6 V, T <sub>J</sub> = 150°C, T <sub>A</sub> = 25°C, see <a href="#">Figure 6-1</a>  |     |     | 401  |      |
|                      |  | R <sub>θJA</sub> = 86.5°C/W, V <sub>I</sub> = 2.75 V, T <sub>J</sub> = 150°C, T <sub>A</sub> = 25°C, see <a href="#">Figure 6-1</a> |     |     | 525  |      |
| P <sub>S</sub>       | Safety input, output, or total power                   | R <sub>θJA</sub> = 86.5°C/W, T <sub>J</sub> = 150°C, T <sub>A</sub> = 25°C, see <a href="#">Figure 6-2</a>                          |     |     | 1445 | mW   |
| T <sub>S</sub>       | Maximum safety temperature                             |   |     |     | 150  | °C   |
| <b>DWV-8 PACKAGE</b> |  |   |     |     |      |      |
| I <sub>S</sub>       | Safety input, output, or supply current <sup>(1)</sup> | R <sub>θJA</sub> = 84.3°C/W, V <sub>I</sub> = 5.5 V, T <sub>J</sub> = 150°C, T <sub>A</sub> = 25°C, see <a href="#">Figure 6-3</a>  |     |     | 270  | mA   |
|                      |  | R <sub>θJA</sub> = 84.3°C/W, V <sub>I</sub> = 3.6 V, T <sub>J</sub> = 150°C, T <sub>A</sub> = 25°C, see <a href="#">Figure 6-3</a>  |     |     | 412  |      |
|                      |  | R <sub>θJA</sub> = 84.3°C/W, V <sub>I</sub> = 2.75 V, T <sub>J</sub> = 150°C, T <sub>A</sub> = 25°C, see <a href="#">Figure 6-3</a> |     |     | 539  |      |
| P <sub>S</sub>       | Safety input, output, or total power <sup>(1)</sup>    | R <sub>θJA</sub> = 84.3°C/W, T <sub>J</sub> = 150°C, T <sub>A</sub> = 25°C, see <a href="#">Figure 6-4</a>                          |     |     | 1483 | mW   |
| T <sub>S</sub>       | Maximum safety temperature <sup>(1)</sup>              |   |     |     | 150  | °C   |
| <b>D-8 PACKAGE</b>   |  |   |     |     |      |      |

Safety limiting<sup>(1)</sup> intends to minimize potential damage to the isolation barrier upon failure of input or output circuitry.

| PARAMETER      |  | TEST CONDITIONS  | MIN | TYP | MAX | UNIT |
|----------------|--|--|-----|-----|-----|------|
| I <sub>S</sub> | Safety input, output, or supply current <sup>(1)</sup> | R <sub>θJA</sub> = 137.7°C/W, V <sub>I</sub> = 5.5 V, T <sub>J</sub> = 150°C, T <sub>A</sub> = 25°C, see <a href="#">Figure 6-5</a>  |     |     | 165 | mA   |
|                |  | R <sub>θJA</sub> = 137.7°C/W, V <sub>I</sub> = 3.6 V, T <sub>J</sub> = 150°C, T <sub>A</sub> = 25°C, see <a href="#">Figure 6-5</a>  |     |     | 252 |      |
|                |  | R <sub>θJA</sub> = 137.7°C/W, V <sub>I</sub> = 2.75 V, T <sub>J</sub> = 150°C, T <sub>A</sub> = 25°C, see <a href="#">Figure 6-5</a> |     |     | 330 |      |
| P <sub>S</sub> | Safety input, output, or total power <sup>(1)</sup>    | R <sub>θJA</sub> = 137.7°C/W, T <sub>J</sub> = 150°C, T <sub>A</sub> = 25°C, see <a href="#">Figure 6-6</a>                          |     |     | 908 | mW   |
| T <sub>S</sub> | Maximum safety temperature <sup>(1)</sup>              |  |     |     | 150 | °C   |

- (1) The maximum safety temperature, T<sub>S</sub>, has the same value as the maximum junction temperature, T<sub>J</sub>, specified for the device. The I<sub>S</sub> and P<sub>S</sub> parameters represent the safety current and safety power respectively. The maximum limits of I<sub>S</sub> and P<sub>S</sub> should not be exceeded. These limits vary with the ambient temperature, T<sub>A</sub>.  
 The junction-to-air thermal resistance, R<sub>θJA</sub>, in [Section 6.4](#) is that of a device installed on a high-K test board for leaded surface-mount packages. Use these equations to calculate the value for each parameter:  
 $T_J = T_A + R_{\theta JA} \times P$ , where P is the power dissipated in the device.  
 $T_{J(max)} = T_S = T_A + R_{\theta JA} \times P_S$ , where T<sub>J(max)</sub> is the maximum allowed junction temperature.  
 $P_S = I_S \times V_I$ , where V<sub>I</sub> is the maximum input voltage.

## 6.9 Electrical Characteristics—5-V Supply

 $V_{CC1} = V_{CC2} = 5\text{ V} \pm 10\%$  (over recommended operating conditions unless otherwise noted)

| PARAMETER     |                                    | TEST CONDITIONS  | MIN                   | TYP                  | MAX                        | UNIT              |
|---------------|------------------------------------|--|-----------------------|----------------------|----------------------------|-------------------|
| $V_{OH}$      | High-level output voltage          | $I_{OH} = -4\text{ mA}$ ; see Figure 7-1   | $V_{CCO} - 0.4^{(1)}$ | 4.8                  |                            | V                 |
| $V_{OL}$      | Low-level output voltage           | $I_{OL} = 4\text{ mA}$ ; see Figure 7-1  |                       | 0.2                  | 0.4                        | V                 |
| $V_{IT+(IN)}$ | Rising input threshold voltage     |  |                       | $0.6 \times V_{CCI}$ | $0.7 \times V_{CCI}^{(1)}$ | V                 |
| $V_{IT-(IN)}$ | Falling input threshold voltage    |  | $0.3 \times V_{CCI}$  | $0.4 \times V_{CCI}$ |                            | V                 |
| $V_{I(HYS)}$  | Input threshold voltage hysteresis |  | $0.1 \times V_{CCI}$  | $0.2 \times V_{CCI}$ |                            | V                 |
| $I_{IH}$      | High-level input current           | $V_{IH} = V_{CCI}^{(1)}$ at INx  |                       |                      | 10                         | $\mu\text{A}$     |
| $I_{IL}$      | Low-level input current            | $V_{IL} = 0\text{ V}$ at INx   | -10                   |                      |                            | $\mu\text{A}$     |
| CMTI          | Common mode transient immunity     | $V_I = V_{CCI}$ or $0\text{ V}$ , $V_{CM} = 1200\text{ V}$ ; see Figure 7-3              | 85                    | 100                  |                            | kV/ $\mu\text{s}$ |
| $C_I$         | Input Capacitance <sup>(2)</sup>   | $V_I = V_{CC}/2 + 0.4 \times \sin(2\pi ft)$ , $f = 1\text{ MHz}$ , $V_{CC} = 5\text{ V}$ |                       | 2                    |                            | pF                |

(1)  $V_{CCI}$  = Input-side  $V_{CC}$ ;  $V_{CCO}$  = Output-side  $V_{CC}$

(2) Measured from input pin to same side ground.

## 6.10 Supply Current Characteristics—5-V Supply

 $V_{CC1} = V_{CC2} = 5\text{ V} \pm 10\%$  (over recommended operating conditions unless otherwise noted)

| PARAMETER                  | TEST CONDITIONS   | SUPPLY CURRENT     | MIN                | TYP | MAX  | UNIT |     |
|----------------------------|---|--------------------|--------------------|-----|------|------|-----|
| <b>ISO7720</b>             |   |                    |                    |     |      |      |     |
| Supply current - DC signal | $V_I = V_{CCI}^{(1)}$ (ISO7720), $V_I = 0\text{ V}$ (ISO7720 with F suffix) | $I_{CC1}$          |                    | 0.8 | 1.6  | mA   |     |
|                            |   | $I_{CC2}$          |                    | 1.1 | 2    |      |     |
|                            | $V_I = 0\text{ V}$ (ISO7720), $V_I = V_{CCI}$ (ISO7720 with F suffix)       | $I_{CC1}$          |                    | 2.9 | 4.2  |      |     |
|                            |   | $I_{CC2}$          |                    | 1.2 | 2.1  |      |     |
| Supply current - AC signal | All channels switching with square wave clock input; $C_L = 15\text{ pF}$   | 1 Mbps             | $I_{CC1}$          |     | 1.8  |      | 2.8 |
|                            |   |                    | $I_{CC2}$          |     | 1.3  |      | 2.2 |
|                            |   | 10 Mbps            | $I_{CC1}$          |     | 1.9  |      | 2.9 |
|                            |   |                    | $I_{CC2}$          |     | 2.2  |      | 3.5 |
|                            |   | 100 Mbps           | $I_{CC1}$          |     | 2.5  | 3.7  |     |
|                            |   |                    | $I_{CC2}$          |     | 11.6 | 15.7 |     |
| <b>ISO7721</b>             |   |                    |                    |     |      |      |     |
| Supply current - DC signal | $V_I = V_{CCI}^{(1)}$ (ISO7721); $V_I = 0\text{ V}$ (ISO7721 with F suffix) | $I_{CC1}, I_{CC2}$ |                    | 1   | 2.2  | mA   |     |
|                            | $V_I = 0\text{ V}$ (ISO7721); $V_I = V_{CCI}$ (ISO7721 with F suffix)       | $I_{CC1}, I_{CC2}$ |                    | 2.2 | 3.4  |      |     |
| Supply current - AC signal | All channels switching with square wave clock input; $C_L = 15\text{ pF}$   | 1 Mbps             | $I_{CC1}, I_{CC2}$ |     | 1.7  |      | 2.9 |
|                            |   | 10 Mbps            | $I_{CC1}, I_{CC2}$ |     | 2.2  |      | 3.5 |
|                            |   | 100 Mbps           | $I_{CC1}, I_{CC2}$ |     | 7.3  |      | 9.9 |

(1)  $V_{CCI}$  = Input-side  $V_{CC}$

### 6.11 Electrical Characteristics—3.3-V Supply

$V_{CC1} = V_{CC2} = 3.3\text{ V} \pm 10\%$  (over recommended operating conditions unless otherwise noted)

| PARAMETER     |                                    | TEST CONDITIONS   | MIN                   | TYP                  | MAX                        | UNIT              |
|---------------|------------------------------------|---|-----------------------|----------------------|----------------------------|-------------------|
| $V_{OH}$      | High-level output voltage          | $I_{OH} = -2\text{mA}$ ; see <a href="#">Figure 7-1</a>                                     | $V_{CCO} - 0.3^{(1)}$ | 3.2                  |                            | V                 |
| $V_{OL}$      | Low-level output voltage           | $I_{OL} = 2\text{mA}$ ; see <a href="#">Figure 7-1</a>                                      |                       | 0.1                  | 0.3                        | V                 |
| $V_{IT+(IN)}$ | Rising input threshold voltage     |   |                       | $0.6 \times V_{CCI}$ | $0.7 \times V_{CCI}^{(1)}$ | V                 |
| $V_{IT-(IN)}$ | Falling input threshold voltage    |   | $0.3 \times V_{CCI}$  | $0.4 \times V_{CCI}$ |                            | V                 |
| $V_{I(HYS)}$  | Input threshold voltage hysteresis |   | $0.1 \times V_{CCI}$  | $0.2 \times V_{CCI}$ |                            | V                 |
| $I_{IH}$      | High-level input current           | $V_{IH} = V_{CCI}^{(1)}$ at INx   |                       |                      | 10                         | $\mu\text{A}$     |
| $I_{IL}$      | Low-level input current            | $V_{IL} = 0\text{ V}$ at INx  | -10                   |                      |                            | $\mu\text{A}$     |
| CMTI          | Common mode transient immunity     | $V_I = V_{CCI}$ or $0\text{ V}$ , $V_{CM} = 1200\text{ V}$ ; see <a href="#">Figure 7-3</a> | 85                    | 100                  |                            | kV/ $\mu\text{s}$ |

(1)  $V_{CCI}$  = Input-side  $V_{CC}$ ;  $V_{CCO}$  = Output-side  $V_{CC}$

### 6.12 Supply Current Characteristics—3.3-V Supply

$V_{CC1} = V_{CC2} = 3.3\text{ V} \pm 10\%$  (over recommended operating conditions unless otherwise noted)

| PARAMETER                  | TEST CONDITIONS   | SUPPLY CURRENT     | MIN                | TYP | MAX | UNIT |     |
|----------------------------|---|--------------------|--------------------|-----|-----|------|-----|
| <b>ISO7720</b>             |   |                    |                    |     |     |      |     |
| Supply current - DC signal | $V_I = V_{CCI}^{(1)}$ (ISO7720), $V_I = 0\text{ V}$ (ISO7720 with F suffix) | $I_{CC1}$          |                    | 0.8 | 1.5 | mA   |     |
|                            |   | $I_{CC2}$          |                    | 1.1 | 1.9 |      |     |
|                            | $V_I = 0\text{ V}$ (ISO7720), $V_I = V_{CCI}$ (ISO7720 with F suffix)       | $I_{CC1}$          |                    | 2.9 | 4.2 |      |     |
|                            |   | $I_{CC2}$          |                    | 1.2 | 2.1 |      |     |
| Supply current - AC signal | All channels switching with square wave clock input; $C_L = 15\text{ pF}$   | 1 Mbps             | $I_{CC1}$          |     | 1.8 |      | 2.7 |
|                            |   |                    | $I_{CC2}$          |     | 1.2 |      | 2.1 |
|                            |   | 10 Mbps            | $I_{CC1}$          |     | 1.9 |      | 2.8 |
|                            |   |                    | $I_{CC2}$          |     | 1.9 |      | 3   |
|                            |   | 100 Mbps           | $I_{CC1}$          |     | 2.2 | 3.3  |     |
|                            |   |                    | $I_{CC2}$          |     | 8.6 | 11.7 |     |
| <b>ISO7721</b>             |   |                    |                    |     |     |      |     |
| Supply current - DC signal | $V_I = V_{CCI}^{(1)}$ (ISO7721), $V_I = 0\text{ V}$ (ISO7721 with F suffix) | $I_{CC1}, I_{CC2}$ |                    | 1   | 2.1 | mA   |     |
|                            |   | $I_{CC1}, I_{CC2}$ |                    | 2.2 | 3.4 |      |     |
| Supply current - AC signal | All channels switching with square wave clock input; $C_L = 15\text{ pF}$   | 1 Mbps             | $I_{CC1}, I_{CC2}$ |     | 1.6 |      | 2.8 |
|                            |   | 10 Mbps            | $I_{CC1}, I_{CC2}$ |     | 2   |      | 3.2 |
|                            |   | 100 Mbps           | $I_{CC1}, I_{CC2}$ |     | 5.6 |      | 7.8 |

(1)  $V_{CCI}$  = Input-side  $V_{CC}$

### 6.13 Electrical Characteristics—2.5-V Supply

 $V_{CC1} = V_{CC2} = 2.5\text{ V} \pm 10\%$  (over recommended operating conditions unless otherwise noted)

| PARAMETER     |                                    | TEST CONDITIONS   | MIN                   | TYP                  | MAX                        | UNIT                    |
|---------------|------------------------------------|---|-----------------------|----------------------|----------------------------|-------------------------|
| $V_{OH}$      | High-level output voltage          | $I_{OH} = -1\text{ mA}$ ; see <a href="#">Figure 7-1</a>                                    | $V_{CCO} - 0.2^{(1)}$ | 2.45                 |                            | V                       |
| $V_{OL}$      | Low-level output voltage           | $I_{OL} = 1\text{ mA}$ ; see <a href="#">Figure 7-1</a>                                     |                       | 0.05                 | 0.2                        | V                       |
| $V_{IT+(IN)}$ | Rising input threshold voltage     |   |                       | $0.6 \times V_{CCI}$ | $0.7 \times V_{CCI}^{(1)}$ | V                       |
| $V_{IT-(IN)}$ | Falling input threshold voltage    |   | $0.3 \times V_{CCI}$  | $0.4 \times V_{CCI}$ |                            | V                       |
| $V_{I(HYS)}$  | Input threshold voltage hysteresis |   | $0.1 \times V_{CCI}$  | $0.2 \times V_{CCI}$ |                            | V                       |
| $I_{IH}$      | High-level input current           | $V_{IH} = V_{CCI}^{(1)}$ at INx   |                       |                      | 10                         | $\mu\text{A}$           |
| $I_{IL}$      | Low-level input current            | $V_{IL} = 0\text{ V}$ at INx  | -10                   |                      |                            | $\mu\text{A}$           |
| CMTI          | Common mode transient immunity     | $V_I = V_{CCI}$ or $0\text{ V}$ , $V_{CM} = 1200\text{ V}$ , see <a href="#">Figure 7-3</a> | 85                    | 100                  |                            | $\text{kV}/\mu\text{s}$ |

(1)  $V_{CCI}$  = Input-side  $V_{CC}$ ;  $V_{CCO}$  = Output-side  $V_{CC}$

### 6.14 Supply Current Characteristics—2.5-V Supply

 $V_{CC1} = V_{CC2} = 2.5\text{ V} \pm 10\%$  (over recommended operating conditions unless otherwise noted)

| PARAMETER                  | TEST CONDITIONS   | SUPPLY CURRENT     | MIN                | TYP | MAX | UNIT |
|----------------------------|---|--------------------|--------------------|-----|-----|------|
| <b>ISO7720</b>             |   |                    |                    |     |     |      |
| Supply current - DC signal | $V_I = V_{CCI}^{(1)}$ (ISO7720), $V_I = 0\text{ V}$ (ISO7720 with F suffix) | $I_{CC1}$          |                    | 0.8 | 1.5 | mA   |
|                            |   | $I_{CC2}$          |                    | 1.1 | 1.9 |      |
|                            | $V_I = 0\text{ V}$ (ISO7720), $V_I = V_{CCI}$ (ISO7720 with F suffix)       | $I_{CC1}$          |                    | 2.9 | 4.2 |      |
|                            |   | $I_{CC2}$          |                    | 1.2 | 2.1 |      |
| Supply current - AC signal | All channels switching with square wave clock input; $C_L = 15\text{ pF}$   | 1 Mbps             | $I_{CC1}$          |     | 1.8 | 2.7  |
|                            |   |                    | $I_{CC2}$          |     | 1.3 | 2    |
|                            |   | 10 Mbps            | $I_{CC1}$          |     | 1.9 | 2.7  |
|                            |   |                    | $I_{CC2}$          |     | 1.7 | 2.8  |
|                            |   | 100 Mbps           | $I_{CC1}$          |     | 2.2 | 3.1  |
|                            |   |                    | $I_{CC2}$          |     | 6.8 | 9.4  |
| <b>ISO7721</b>             |   |                    |                    |     |     |      |
| Supply current - DC signal | $V_I = V_{CCI}^{(1)}$ (ISO7721); $V_I = 0\text{ V}$ (ISO7721 with F suffix) | $I_{CC1}, I_{CC2}$ |                    | 1   | 2.1 | mA   |
|                            |   | $I_{CC1}, I_{CC2}$ |                    | 2.2 | 3.3 |      |
| Supply current - AC signal | All channels switching with square wave clock input; $C_L = 15\text{ pF}$   | 1 Mbps             | $I_{CC1}, I_{CC2}$ |     | 1.6 | 2.7  |
|                            |   | 10 Mbps            | $I_{CC1}, I_{CC2}$ |     | 1.9 | 3.1  |
|                            |   | 100 Mbps           | $I_{CC1}, I_{CC2}$ |     | 4.6 | 6.5  |

(1)  $V_{CCI}$  = Input-side  $V_{CC}$



## 6.15 Switching Characteristics—5-V Supply

 $V_{CC1} = V_{CC2} = 5\text{ V} \pm 10\%$  (over recommended operating conditions unless otherwise noted)

| PARAMETER          |   | TEST CONDITIONS   | MIN | TYP | MAX | UNIT    |
|--------------------|---|---|-----|-----|-----|---------|
| $t_{PLH}, t_{PHL}$ | Propagation delay time                                      | See Figure 7-1  | 6   | 11  | 17  | ns      |
| PWD                | Pulse width distortion <sup>(1)</sup> $ t_{PHL} - t_{PLH} $ |   |     |     |     |         |
| $t_{sk(o)}$        | Channel-to-channel output skew time <sup>(2)</sup>          | Same direction channels   |     |     | 4   | ns      |
| $t_{sk(pp)}$       | Part-to-part skew time <sup>(3)</sup>                       |   |     |     | 4.5 | ns      |
| $t_r$              | Output signal rise time                                     | See Figure 7-1  |     | 2.4 | 3.9 | ns      |
| $t_f$              | Output signal fall time                                     |   |     | 2.4 | 3.9 | ns      |
| $t_{DO}$           | Default output delay time from input power loss             | Measured from the time $V_{CC}$ goes below 1.7V. See Figure 7-2 |     | 0.1 | 0.3 | $\mu$ s |
| $t_{ie}$           | Time interval error   | $2^{16} - 1$ PRBS data at 100 Mbps                              |     | 1   |     | ns      |

- (1) Also known as pulse skew.
- (2)  $t_{sk(o)}$  is the skew between outputs of a single device with all driving inputs connected together and the outputs switching in the same direction while driving identical loads.
- (3)  $t_{sk(pp)}$  is the magnitude of the difference in propagation delay times between any terminals of different devices switching in the same direction while operating at identical supply voltages, temperature, input signals and loads.

## 6.16 Switching Characteristics—3.3-V Supply

 $V_{CC1} = V_{CC2} = 3.3\text{ V} \pm 10\%$  (over recommended operating conditions unless otherwise noted)

| PARAMETER          |   | TEST CONDITIONS   | MIN | TYP | MAX  | UNIT    |
|--------------------|---|---|-----|-----|------|---------|
| $t_{PLH}, t_{PHL}$ | Propagation delay time                                      | See Figure 7-1  | 6   | 11  | 18.5 | ns      |
| PWD                | Pulse width distortion <sup>(1)</sup> $ t_{PHL} - t_{PLH} $ |   |     |     |      |         |
| $t_{sk(o)}$        | Channel-to-channel output skew time <sup>(2)</sup>          | Same direction channels   |     |     | 4.4  | ns      |
| $t_{sk(pp)}$       | Part-to-part skew time <sup>(3)</sup>                       |   |     |     | 5    | ns      |
| $t_r$              | Output signal rise time                                     | See Figure 7-1  |     | 0.7 | 3    | ns      |
| $t_f$              | Output signal fall time                                     |   |     | 0.7 | 3    | ns      |
| $t_{DO}$           | Default output delay time from input power loss             | Measured from the time $V_{CC}$ goes below 1.7V. See Figure 7-2 |     | 0.1 | 0.3  | $\mu$ s |
| $t_{ie}$           | Time interval error   | $2^{16} - 1$ PRBS data at 100 Mbps                              |     | 1   |      | ns      |

- (1) Also known as pulse skew.
- (2)  $t_{sk(o)}$  is the skew between outputs of a single device with all driving inputs connected together and the outputs switching in the same direction while driving identical loads.
- (3)  $t_{sk(pp)}$  is the magnitude of the difference in propagation delay times between any terminals of different devices switching in the same direction while operating at identical supply voltages, temperature, input signals and loads.

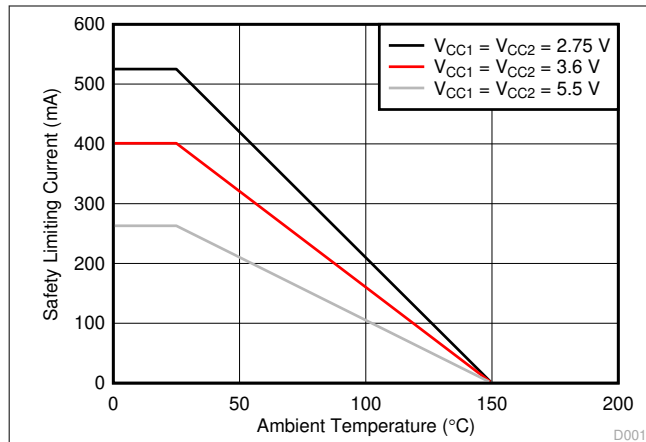
### 6.17 Switching Characteristics—2.5-V Supply

$V_{CC1} = V_{CC2} = 2.5\text{ V} \pm 10\%$  (over recommended operating conditions unless otherwise noted)

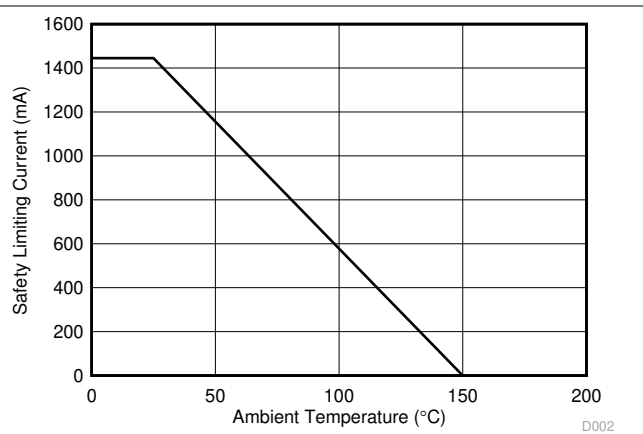
| PARAMETER          |   | TEST CONDITIONS   | MIN | TYP | MAX | UNIT    |
|--------------------|---|---|-----|-----|-----|---------|
| $t_{PLH}, t_{PHL}$ | Propagation delay time                                      | See Figure 7-1  | 7.5 | 12  | 21  | ns      |
| PWD                | Pulse width distortion <sup>(1)</sup> $ t_{PHL} - t_{PLH} $ |   |     |     |     |         |
| $t_{sk(o)}$        | Channel-to-channel output skew time <sup>(2)</sup>          | Same direction channels   |     |     | 4.4 | ns      |
| $t_{sk(pp)}$       | Part-to-part skew time <sup>(3)</sup>                       |   |     |     | 5.5 | ns      |
| $t_r$              | Output signal rise time                                     | See Figure 7-1  |     | 1   | 3.5 | ns      |
| $t_f$              | Output signal fall time                                     |   |     | 1   | 3.5 | ns      |
| $t_{DO}$           | Default output delay time from input power loss             | Measured from the time $V_{CC}$ goes below 1.7V. See Figure 7-2 |     | 0.1 | 0.3 | $\mu$ s |
| $t_{ie}$           | Time interval error   | $2^{16} - 1$ PRBS data at 100 Mbps                              |     | 1   |     | ns      |

- (1) Also known as pulse skew.
- (2)  $t_{sk(o)}$  is the skew between outputs of a single device with all driving inputs connected together and the outputs switching in the same direction while driving identical loads.
- (3)  $t_{sk(pp)}$  is the magnitude of the difference in propagation delay times between any terminals of different devices switching in the same direction while operating at identical supply voltages, temperature, input signals and loads.

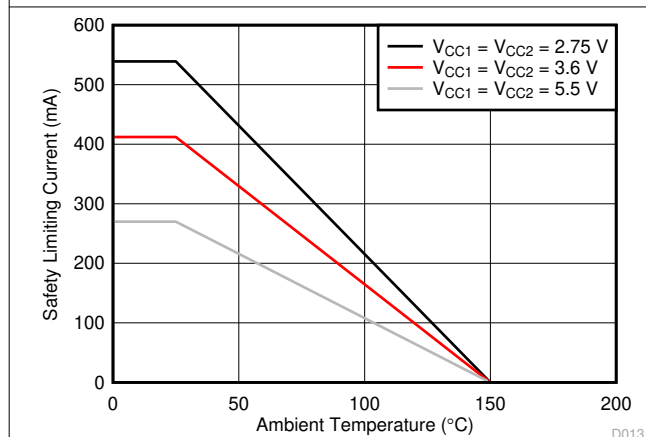
### 6.18 Insulation Characteristics Curves



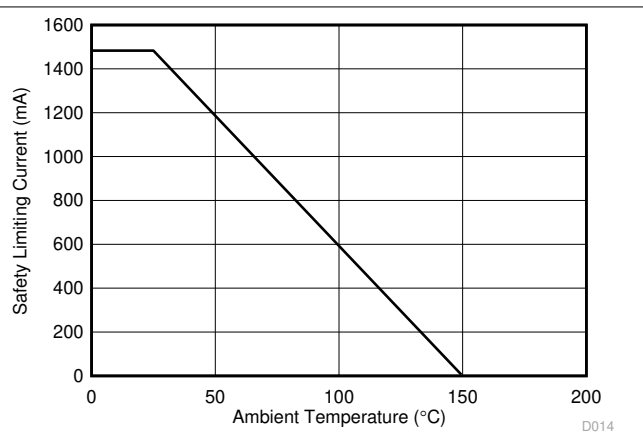
**Figure 6-1. Thermal Derating Curve for Limiting Current per VDE for DW-16 Package**



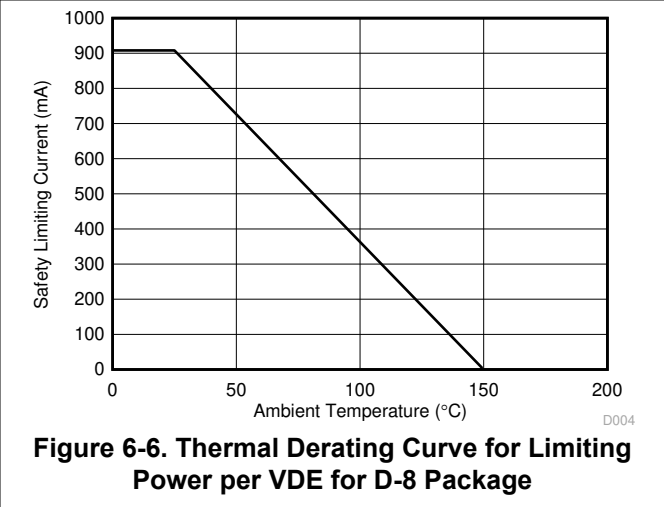
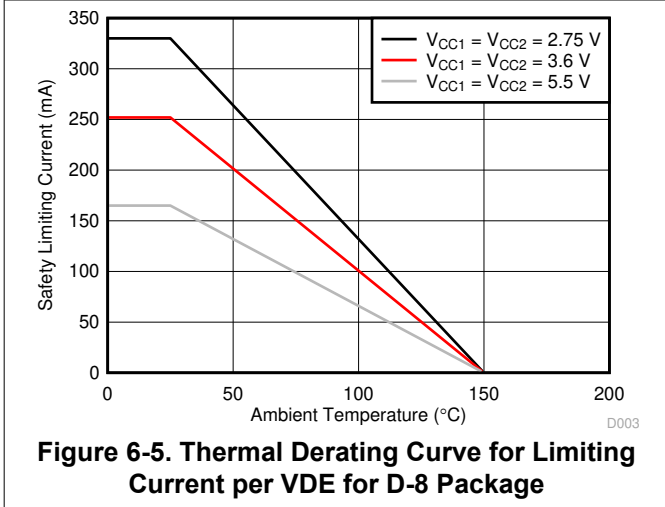
**Figure 6-2. Thermal Derating Curve for Limiting Power per VDE for DW-16 Package**



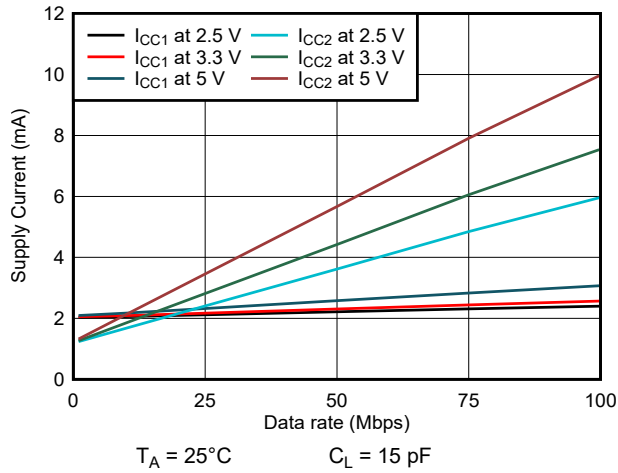
**Figure 6-3. Thermal Derating Curve for Limiting Current per VDE for DWV-8 Package**



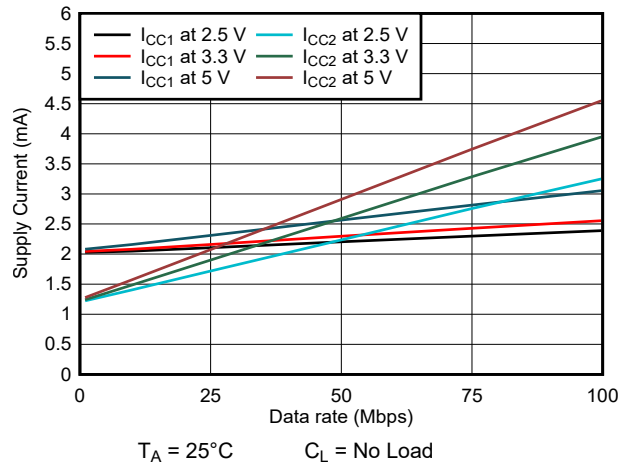
**Figure 6-4. Thermal Derating Curve for Limiting Power per VDE for DWV-8 Package**



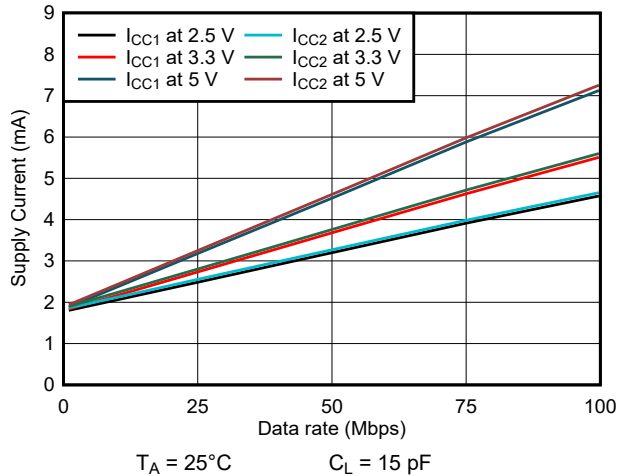
### 6.19 Typical Characteristics



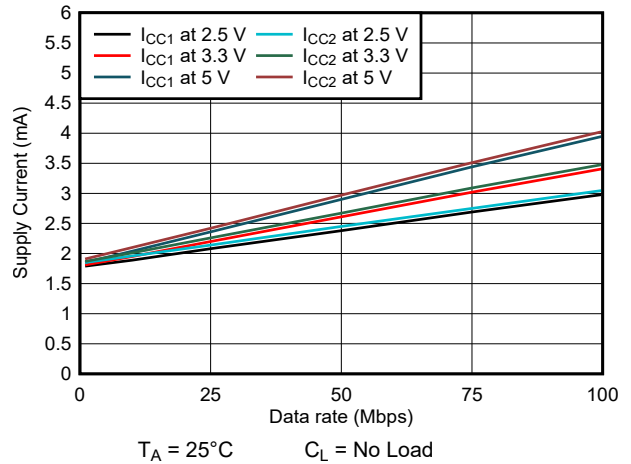
**Figure 6-7. ISO7720 Supply Current vs Data Rate (With 15-pF Load)**



**Figure 6-8. ISO7720 Supply Current vs Data Rate (With No Load)**



**Figure 6-9. ISO7721 Supply Current vs Data Rate (With 15-pF Load)**



**Figure 6-10. ISO7721 Supply Current vs Data Rate (With No Load)**

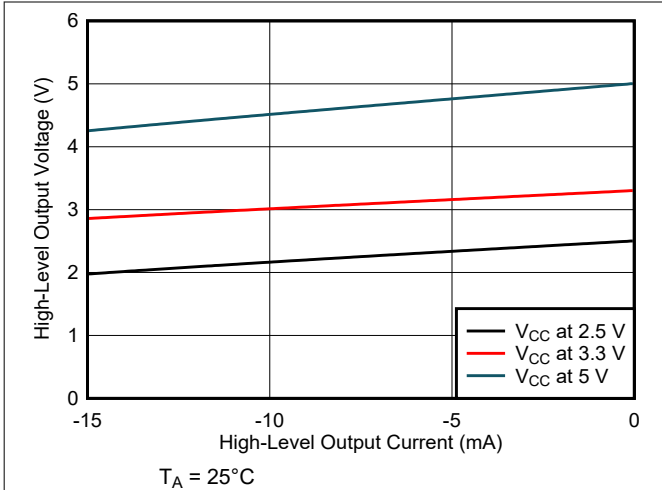


Figure 6-11. High-Level Output Voltage vs High-level Output Current

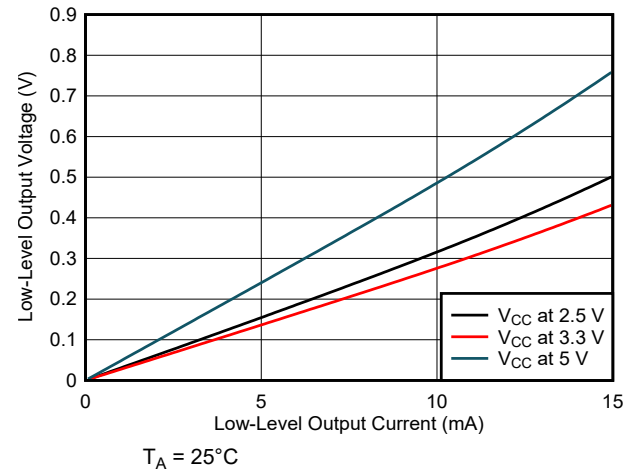


Figure 6-12. Low-Level Output Voltage vs Low-Level Output Current

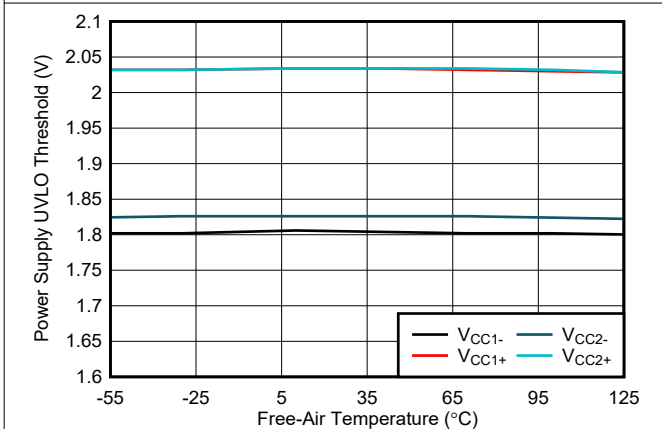


Figure 6-13. Power Supply Undervoltage Threshold vs Free-Air Temperature

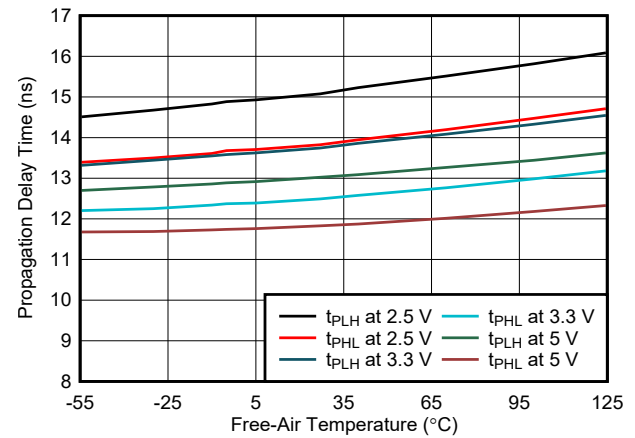
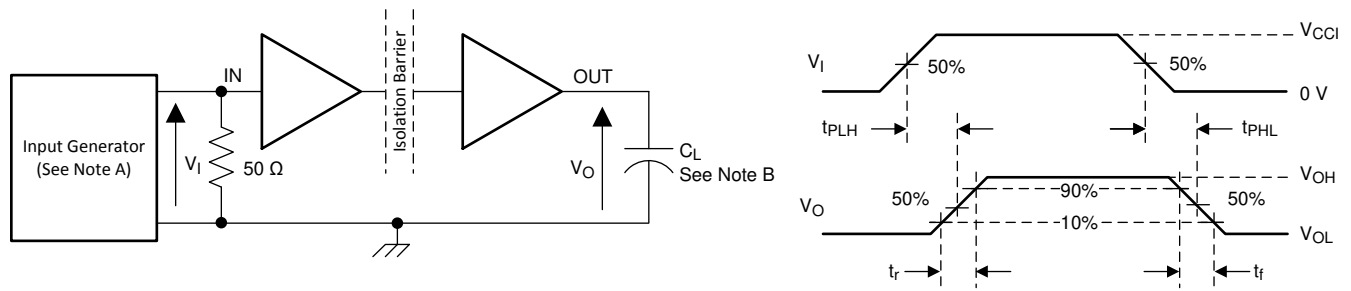


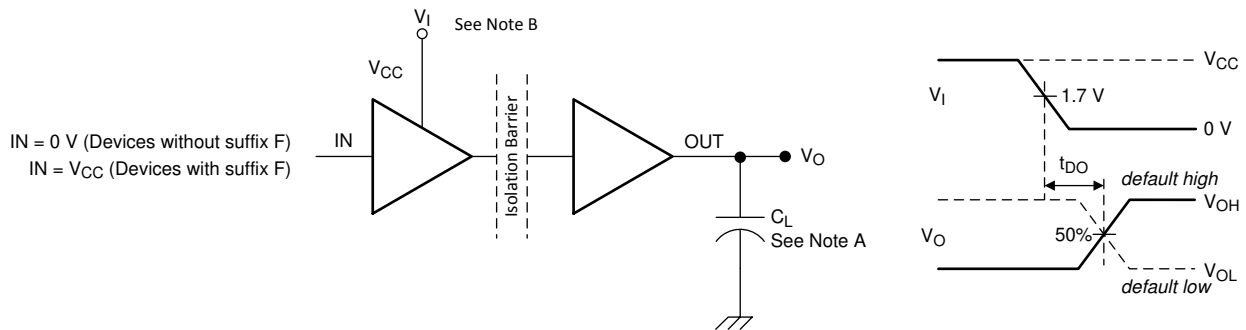
Figure 6-14. Propagation Delay Time vs Free-Air Temperature

## 7 Parameter Measurement Information



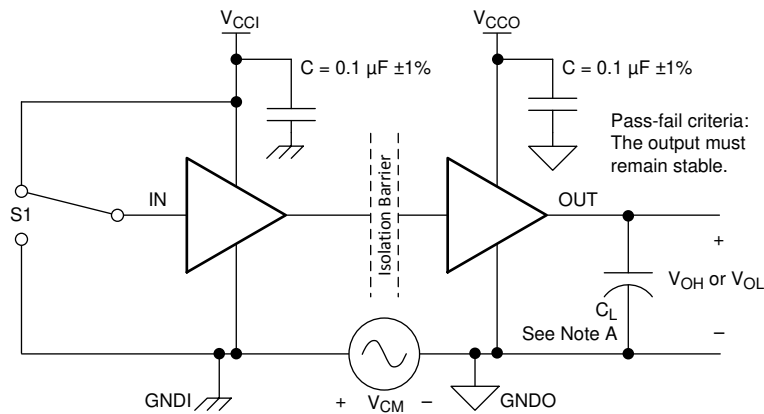
- A. The input pulse is supplied by a generator having the following characteristics: PRR  $\leq 50$  kHz, 50% duty cycle,  $t_r \leq 3$  ns,  $t_f \leq 3$  ns,  $Z_O = 50\ \Omega$ . At the input,  $50\ \Omega$  resistor is required to terminate Input Generator signal. It is not needed in actual application.
- B.  $C_L = 15$  pF and includes instrumentation and fixture capacitance within  $\pm 20\%$ .

**Figure 7-1. Switching Characteristics Test Circuit and Voltage Waveforms**



- A.  $C_L = 15$  pF and includes instrumentation and fixture capacitance within  $\pm 20\%$ .
- B. Power Supply Ramp Rate = 10 mV/ns

**Figure 7-2. Default Output Delay Time Test Circuit and Voltage Waveforms**



- A.  $C_L = 15$  pF and includes instrumentation and fixture capacitance within  $\pm 20\%$ .

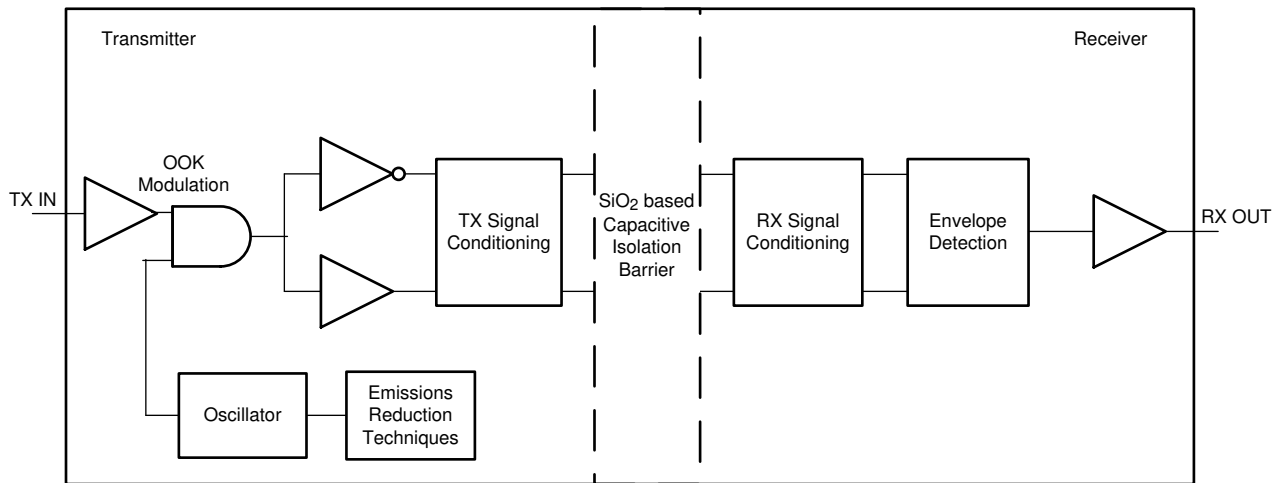
**Figure 7-3. Common-Mode Transient Immunity Test Circuit**

## 8 Detailed Description

### 8.1 Overview

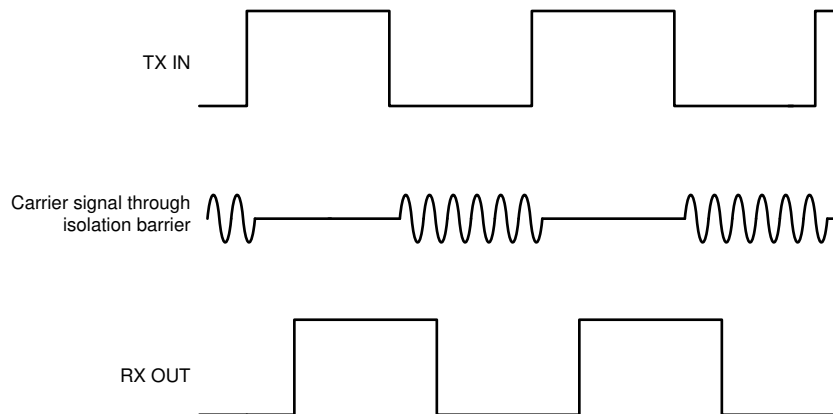
The ISO772x family of devices has an ON-OFF keying (OOK) modulation scheme to transmit the digital data across a silicon dioxide based isolation barrier. The transmitter sends a high frequency carrier across the barrier to represent one digital state and sends no signal to represent the other digital state. The receiver demodulates the signal after advanced signal conditioning and produces the output through a buffer stage. These devices also incorporate advanced circuit techniques to maximize the CMTI performance and minimize the radiated emissions due the high frequency carrier and IO buffer switching. The conceptual block diagram of a digital capacitive isolator, [Figure 8-1](#), shows a functional block diagram of a typical channel.

### 8.2 Functional Block Diagram



**Figure 8-1. Conceptual Block Diagram of a Digital Capacitive Isolator**

[Figure 8-2](#) shows a conceptual detail of how the OOK scheme works.



**Figure 8-2. On-Off Keying (OOK) Based Modulation Scheme**

### 8.3 Feature Description

The ISO772x family of devices is available in two channel configurations and default output state options to enable a variety of application uses. [Table 8-1](#) lists the device features of the ISO772x devices.

**Table 8-1. Device Features**

| PART NUMBER | MAXIMUM DATA RATE | CHANNEL DIRECTION    | DEFAULT OUTPUT STATE | PACKAGE | RATED ISOLATION <sup>(1)</sup>               |
|-------------|-------------------|----------------------|----------------------|---------|--|
| ISO7720     | 100 Mbps          | 2 Forward, 0 Reverse | High                 | DW-16   | 5000 V <sub>RMS</sub> / 8000 V <sub>PK</sub> |
|             |                   |                      |                      | DWV-8   | 5000 V <sub>RMS</sub> / 7071 V <sub>PK</sub> |
|             |                   |                      |                      | D-8     | 3000 V <sub>RMS</sub> / 4242 V <sub>PK</sub> |
| ISO7720F    | 100 Mbps          | 2 Forward, 0 Reverse | Low                  | DW-16   | 5000 V <sub>RMS</sub> / 8000 V <sub>PK</sub> |
|             |                   |                      |                      | DWV-8   | 5000 V <sub>RMS</sub> / 7071 V <sub>PK</sub> |
|             |                   |                      |                      | D-8     | 3000 V <sub>RMS</sub> / 4242 V <sub>PK</sub> |
| ISO7721     | 100 Mbps          | 1 Forward, 1 Reverse | High                 | DW-16   | 5000 V <sub>RMS</sub> / 8000 V <sub>PK</sub> |
|             |                   |                      |                      | DWV-8   | 5000 V <sub>RMS</sub> / 7071 V <sub>PK</sub> |
|             |                   |                      |                      | D-8     | 3000 V <sub>RMS</sub> / 4242 V <sub>PK</sub> |
| ISO7721F    | 100 Mbps          | 1 Forward, 1 Reverse | Low                  | DW-16   | 5000 V <sub>RMS</sub> / 8000 V <sub>PK</sub> |
|             |                   |                      |                      | DWV-8   | 5000 V <sub>RMS</sub> / 7071 V <sub>PK</sub> |
|             |                   |                      |                      | D-8     | 3000 V <sub>RMS</sub> / 4242 V <sub>PK</sub> |
| ISO7721B    | 100 Mbps          | 1 Forward, 1 Reverse | High                 | DW-16   | 5000 V <sub>RMS</sub> / 8000 V <sub>PK</sub> |
| ISO7721FB   | 100 Mbps          | 1 Forward, 1 Reverse | Low                  | DW-16   | 5000 V <sub>RMS</sub> / 8000 V <sub>PK</sub> |

(1) See [Section 6.7](#) for detailed isolation ratings.

#### 8.3.1 Electromagnetic Compatibility (EMC) Considerations

Many applications in harsh industrial environment are sensitive to disturbances such as electrostatic discharge (ESD), electrical fast transient (EFT), surge and electromagnetic emissions. These electromagnetic disturbances are regulated by international standards such as IEC 61000-4-x and CISPR 22. Although system-level performance and reliability depends, to a large extent, on the application board design and layout, the ISO772x family of devices incorporates many chip-level design improvements for overall system robustness. Some of these improvements include:

- Robust ESD protection cells for input and output signal pins and inter-chip bond pads.
- Low-resistance connectivity of ESD cells to supply and ground pins.
- Enhanced performance of high voltage isolation capacitor for better tolerance of ESD, EFT and surge events.
- Bigger on-chip decoupling capacitors to bypass undesirable high energy signals through a low impedance path.
- PMOS and NMOS devices isolated from each other by using guard rings to avoid triggering of parasitic SCRs.
- Reduced common mode currents across the isolation barrier by ensuring purely differential internal operation.



## 8.4 Device Functional Modes

Table 8-2 lists the functional modes for the ISO772x devices.

Table 8-2. Function Table

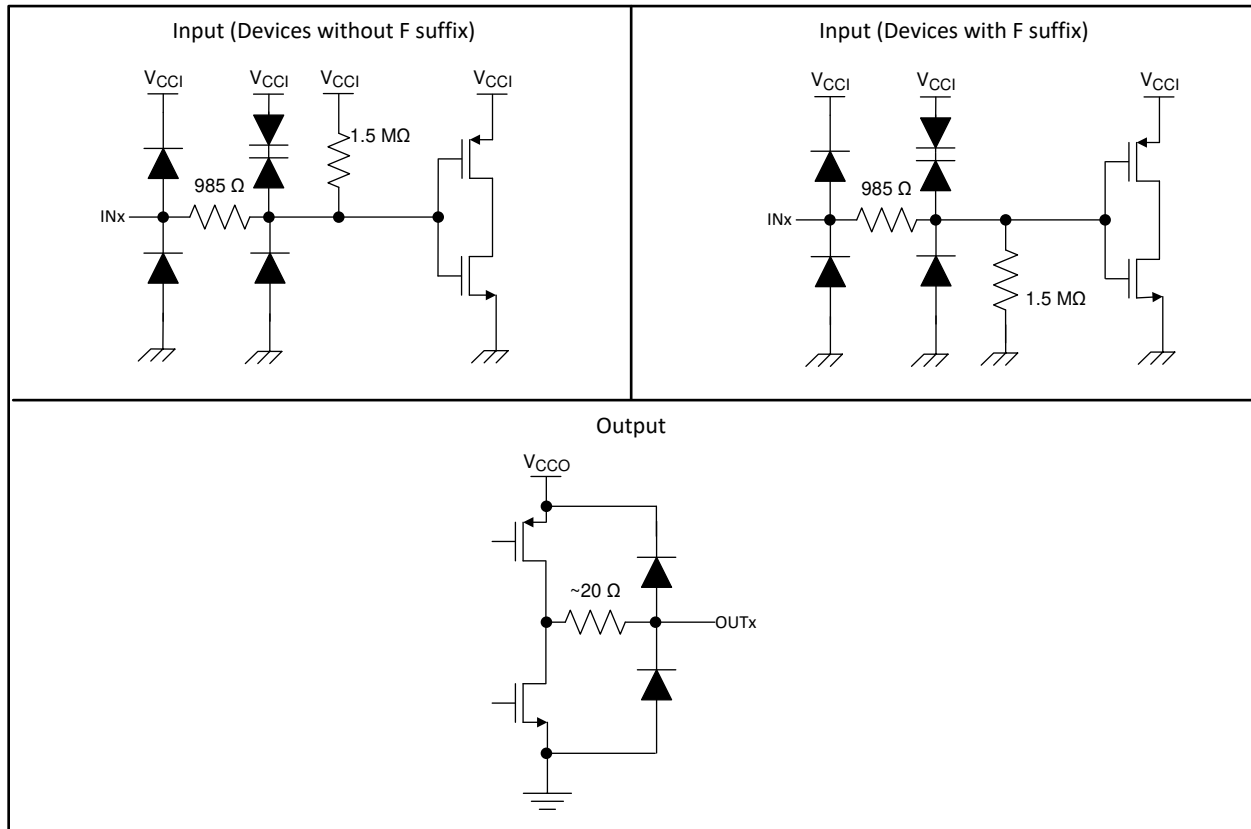
| V <sub>CCI</sub>  | V <sub>CCO</sub> | INPUT (IN <sub>x</sub> ) <sup>(3)</sup> | OUTPUT (OUT <sub>x</sub> ) | COMMENTS  |
|-------------------|------------------|---|----------------------------|---|
| PU <sup>(1)</sup> | PU               | H                                       | H                          | Normal Operation:<br>A channel output assumes the logic state of the input.   |
|                   |                  | L                                       | L                          |   |
|                   |                  | Open                                    | Default                    | Default mode: When IN <sub>x</sub> is open, the corresponding channel output goes to the default logic state. The default is <i>High</i> for ISO772x and <i>Low</i> for ISO772x with F suffix.  |
| PD                | PU               | X                                       | Default                    | Default mode: When V <sub>CCI</sub> is unpowered, a channel output assumes the logic state based on the selected default option. The default is <i>High</i> for ISO772x and <i>Low</i> for ISO772x with F suffix.<br>When V <sub>CCI</sub> transitions from unpowered to powered-up, a channel output assumes the logic state of the input.<br>When V <sub>CCI</sub> transitions from powered-up to unpowered, channel output assumes the selected default state. |
| X                 | PD               | X                                       | Undetermined               | When V <sub>CCO</sub> is unpowered, a channel output is undetermined <sup>(2)</sup> .<br>When V <sub>CCO</sub> transitions from unpowered to powered-up, a channel output assumes the logic state of the input  |

(1) V<sub>CCI</sub> = Input-side V<sub>CC</sub>; V<sub>CCO</sub> = Output-side V<sub>CC</sub>; PU = Powered up (V<sub>CC</sub> ≥ 2.25 V); PD = Powered down (V<sub>CC</sub> ≤ 1.7 V); X = Irrelevant; H = High level; L = Low level

(2) The outputs are in undetermined state when 1.7 V < V<sub>CCI</sub>, V<sub>CCO</sub> < 2.25 V.

(3) A strongly driven input signal can weakly power the floating V<sub>CC</sub> via an internal protection diode and cause undetermined output.

### 8.4.1 Device I/O Schematics



Copyright © 2016, Texas Instruments Incorporated

Figure 8-3. Device I/O Schematics

## 9 Application and Implementation

---

### Note

Information in the following applications sections is not part of the TI component specification, and TI does not warrant the accuracy or completeness. TI's customers are responsible for determining suitability of components for their purposes. Customers should validate and test their design implementation to confirm system functionality.

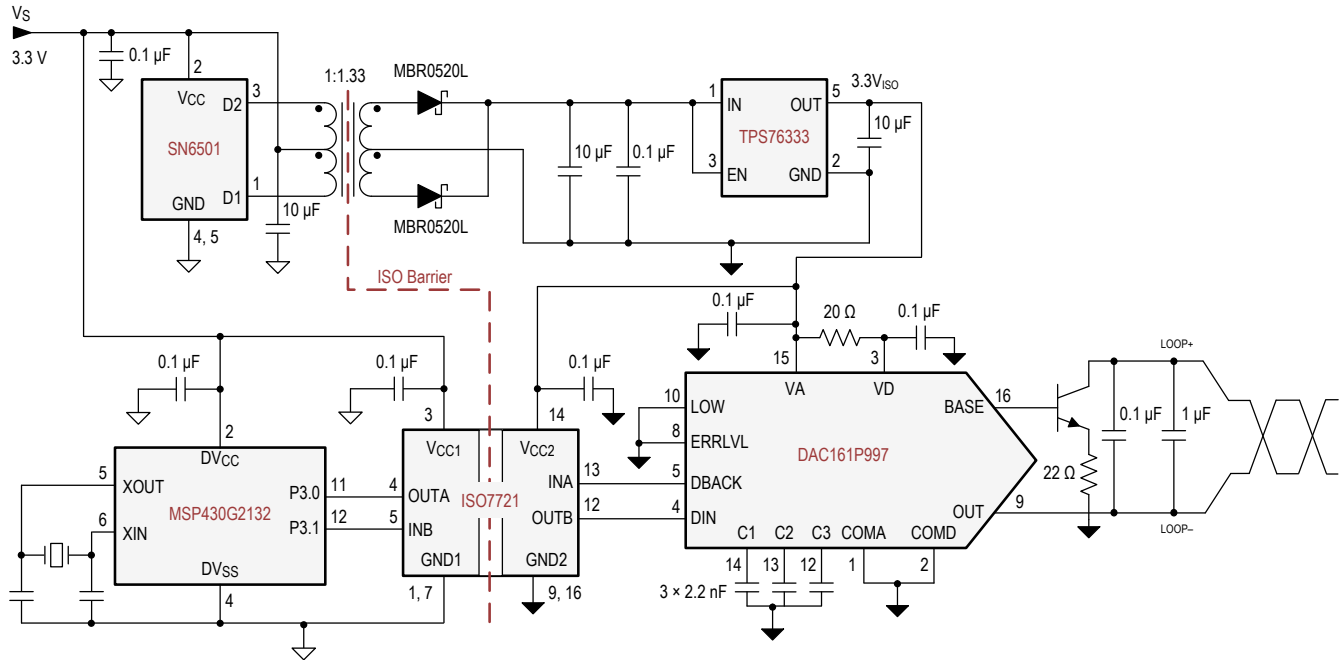
---

### 9.1 Application Information

The ISO772x devices are high-performance, dual-channel digital isolators. The devices use single-ended CMOS-logic switching technology. The supply voltage range is from 2.25 V to 5.5 V for both supplies,  $V_{CC1}$  and  $V_{CC2}$ . When designing with digital isolators, keep in mind that because of the single-ended design structure, digital isolators do not conform to any specific interface standard and are only intended for isolating single-ended CMOS or TTL digital signal lines. The isolator is typically placed between the data controller (that is,  $\mu\text{C}$  or UART), and a data converter or a line transceiver, regardless of the interface type or standard.

## 9.2 Typical Application

The ISO7721 device can be used with Texas Instruments' mixed signal microcontroller, digital-to-analog converter, transformer driver, and voltage regulator to create an isolated 4-mA to 20-mA current loop.



Copyright © 2017, Texas Instruments Incorporated

**Figure 9-1. Isolated 4-mA to 20-mA Current Loop**

### 9.2.1 Design Requirements

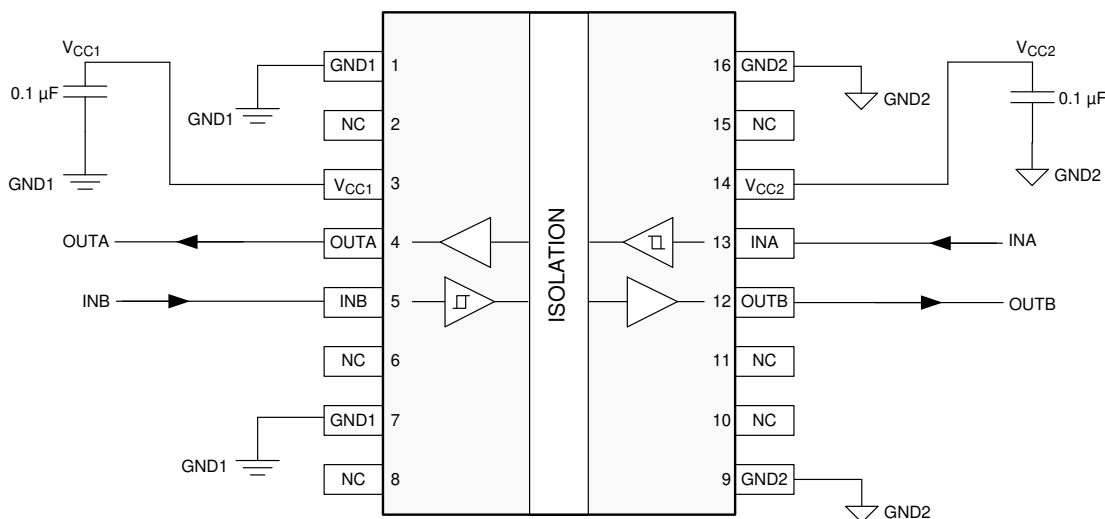
To design with these devices, use the parameters listed in [Table 9-1](#).

**Table 9-1. Design Parameters**

| PARAMETER                                       | VALUE           |
|---|-----------------|
| Supply voltage, $V_{CC1}$ and $V_{CC2}$         | 2.25 V to 5.5 V |
| Decoupling capacitor between $V_{CC1}$ and GND1 | 0.1 $\mu$ F     |
| Decoupling capacitor from $V_{CC2}$ and GND2    | 0.1 $\mu$ F     |

### 9.2.2 Detailed Design Procedure

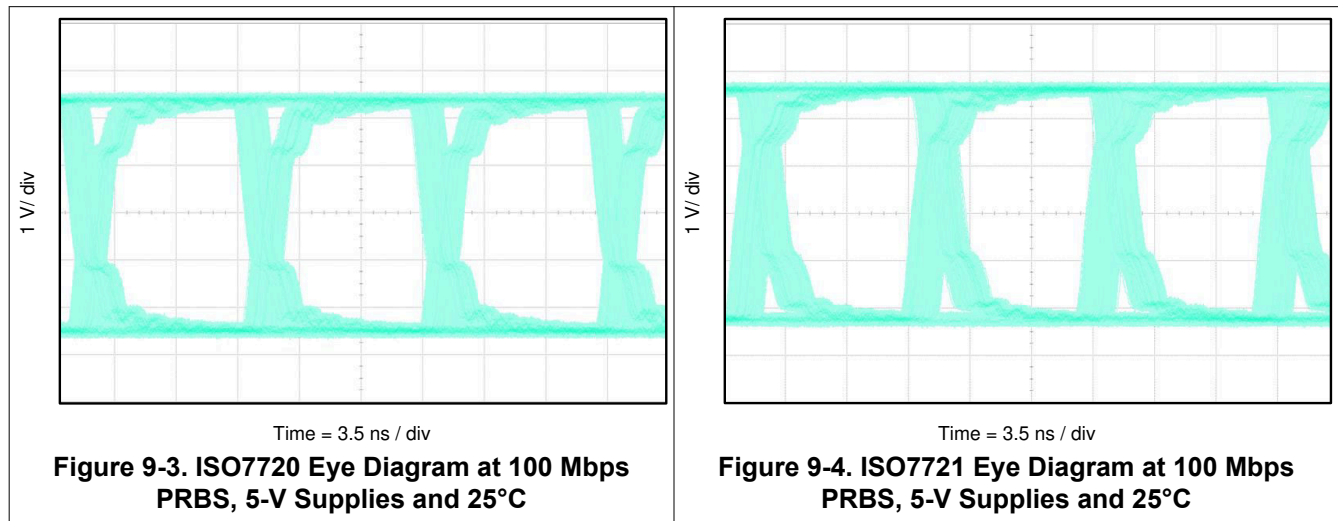
Unlike optocouplers, which require external components to improve performance, provide bias, or limit current, the ISO772x devices only require two external bypass capacitors to operate.



**Figure 9-2. Typical ISO7721 Circuit Hook-up**

### 9.2.3 Application Curve

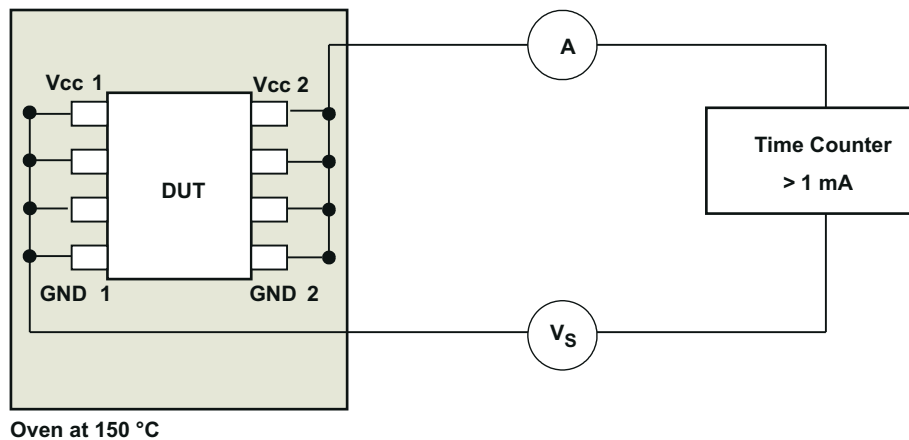
The following typical eye diagrams of the ISO772x family of devices indicate low jitter and wide open eye at the maximum data rate of 100 Mbps.



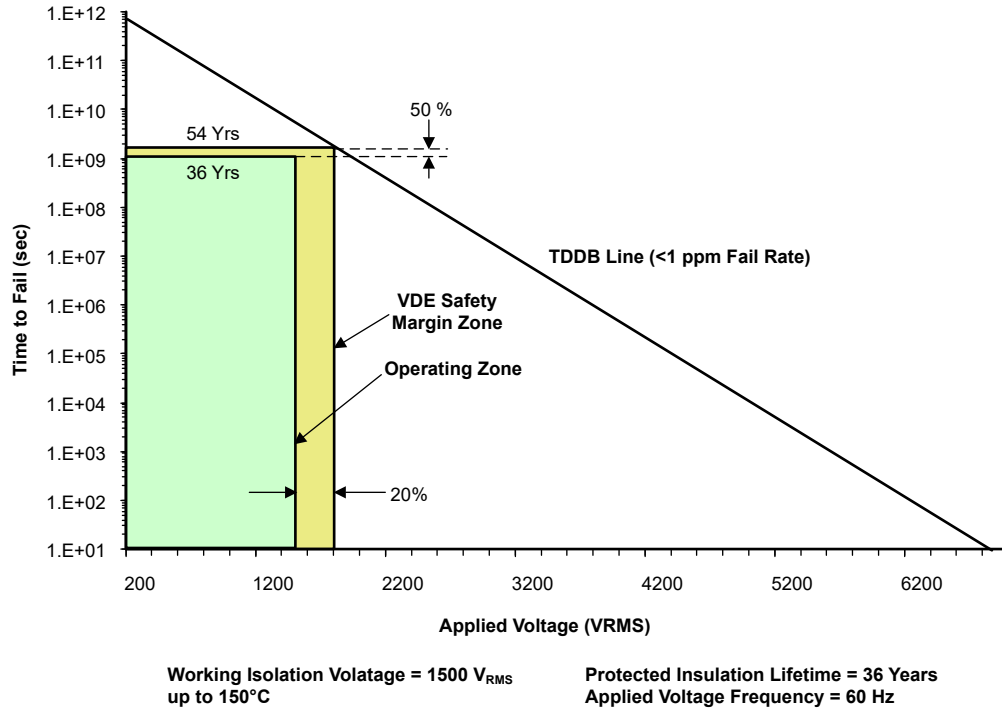
#### 9.2.3.1 Insulation Lifetime

Insulation lifetime projection data is collected by using industry-standard Time Dependent Dielectric Breakdown (TDDB) test method. In this test, all pins on each side of the barrier are tied together creating a two-terminal device and high voltage applied between the two sides; See [Test Setup for Insulation Lifetime Measurement](#) for TDDB test setup. The insulation breakdown data is collected at various high voltages switching at 60 Hz over temperature. For reinforced insulation, VDE standard requires the use of TDDB projection line with failure rate of less than 1 part per million (ppm). Even though the expected minimum insulation lifetime is 20 years at the specified working isolation voltage, VDE reinforced certification requires additional safety margin of 20% for working voltage and 50% for lifetime which translates into minimum required insulation lifetime of 30 years at a working voltage that's 20% higher than the specified value.

[Insulation Lifetime Projection Data](#) shows the intrinsic capability of the isolation barrier to withstand high voltage stress over its lifetime. Based on the TDDB data, the intrinsic capability of the insulation is 1500 V<sub>RMS</sub> with a lifetime of 36 years. Other factors, such as package size, pollution degree, material group, etc. can further limit the working voltage of the component. The working voltage of DW-16 and DWV-8 packages is specified up to 1500 V<sub>RMS</sub> and D-8 package up to 450 V<sub>RMS</sub>. At the lower working voltages, the corresponding insulation lifetime is much longer than 36 years.



**Figure 9-5. Test Setup for Insulation Lifetime Measurement**



**Figure 9-6. Insulation Lifetime Projection Data**

## 10 Power Supply Recommendations

To help ensure reliable operation at data rates and supply voltages, a 0.1- $\mu$ F bypass capacitor is recommended at the input and output supply pins ( $V_{CC1}$  and  $V_{CC2}$ ). The capacitors should be placed as close to the supply pins as possible. If only a single primary-side power supply is available in an application, isolated power can be generated for the secondary-side with the help of a transformer driver such as Texas Instruments' [SN6501](#) or [SN6505A](#). For such applications, detailed power supply design and transformer selection recommendations are available in [SN6501 Transformer Driver for Isolated Power Supplies](#) or [SN6505 Low-Noise 1-A Transformer Drivers for Isolated Power Supplies](#).

## 11 Layout

### 11.1 Layout Guidelines

A minimum of four layers is required to accomplish a low EMI PCB design (see [Figure 11-1](#)). Layer stacking should be in the following order (top-to-bottom): high-speed signal layer, ground plane, power plane and low-frequency signal layer.

- Routing the high-speed traces on the top layer avoids the use of vias (and the introduction of their inductances) and allows for clean interconnects between the isolator and the transmitter and receiver circuits of the data link.
- Placing a solid ground plane next to the high-speed signal layer establishes controlled impedance for transmission line interconnects and provides an excellent low-inductance path for the return current flow.
- Placing the power plane next to the ground plane creates additional high-frequency bypass capacitance of approximately 100 pF/in<sup>2</sup>.
- Routing the slower speed control signals on the bottom layer allows for greater flexibility as these signal links usually have margin to tolerate discontinuities such as vias.

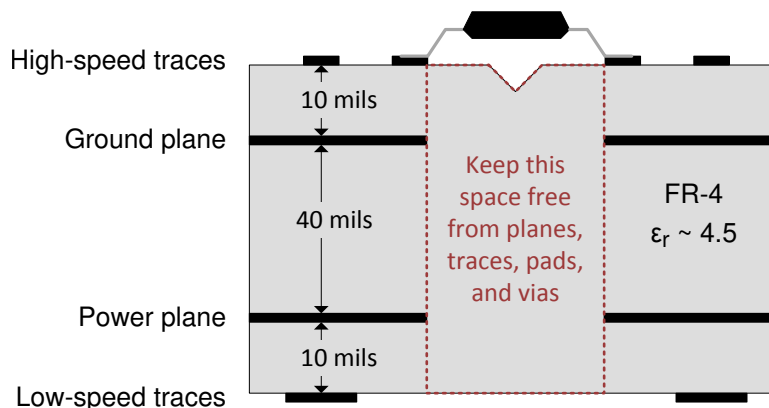
If an additional supply voltage plane or signal layer is needed, add a second power or ground plane system to the stack to keep it symmetrical. This makes the stack mechanically stable and prevents it from warping. Also the power and ground plane of each power system can be placed closer together, thus increasing the high-frequency bypass capacitance significantly.

For detailed layout recommendations, refer to the [Digital Isolator Design Guide](#).

#### 11.1.1 PCB Material

For digital circuit boards operating at less than 150 Mbps, (or rise and fall times greater than 1 ns), and trace lengths of up to 10 inches, use standard FR-4 UL94V-0 printed circuit board. This PCB is preferred over cheaper alternatives because of lower dielectric losses at high frequencies, less moisture absorption, greater strength and stiffness, and the self-extinguishing flammability-characteristics.

### 11.2 Layout Example



**Figure 11-1. Layout Example**



## 12 Device and Documentation Support

### 12.1 Device Support

#### 12.1.1 Development Support

For development support, refer to:

- [Isolated CAN Flexible Data \(FD\) Rate Repeater Reference Design](#)
- [Isolated 16-Channel AC Analog Input Module Reference Design Using Dual Simultaneously Sampled ADCs](#)
- [Polyphase Shunt Metrology with Isolated AFE Reference Design](#)
- [Reference Design for Power-Isolated Ultra-Compact Analog Output Module](#)

### 12.2 Documentation Support

#### 12.2.1 Related Documentation

For related documentation, see the following:

- Texas Instruments, [Digital Isolator Design Guide](#)
- Texas Instruments, [How to use isolation to improve ESD, EFT and Surge immunity in industrial systems application report](#)
- Texas Instruments, [Isolation Glossary](#)
- Texas Instruments, [DAC161P997 Single-Wire 16-bit DAC for 4- to 20-mA Loops data sheet](#)
- Texas Instruments, [MSP430G2132 Mixed Signal Microcontroller data sheet](#)
- Texas Instruments, [SN6501 Transformer Driver for Isolated Power Supplies data sheet](#)
- Texas Instruments, [TPS76333 Low-Power 150-mA Low-Dropout Linear Regulators data sheet](#)

### 12.3 Receiving Notification of Documentation Updates

To receive notification of documentation updates, navigate to the device product folder on ti.com. In the upper right corner, click on *Alert me* to register and receive a weekly digest of any product information that has changed. For change details, review the revision history included in any revised document.

### 12.4 Community Resources

[TI E2E™ support forums](#) are an engineer's go-to source for fast, verified answers and design help — straight from the experts. Search existing answers or ask your own question to get the quick design help you need.

Linked content is provided "AS IS" by the respective contributors. They do not constitute TI specifications and do not necessarily reflect TI's views; see TI's [Terms of Use](#).

### 12.5 Trademarks

TI E2E™ is a trademark of Texas Instruments.

All trademarks are the property of their respective owners.

### 12.6 Electrostatic Discharge Caution



This integrated circuit can be damaged by ESD. Texas Instruments recommends that all integrated circuits be handled with appropriate precautions. Failure to observe proper handling and installation procedures can cause damage.

ESD damage can range from subtle performance degradation to complete device failure. Precision integrated circuits may be more susceptible to damage because very small parametric changes could cause the device not to meet its published specifications.

### 12.7 Glossary

[TI Glossary](#) This glossary lists and explains terms, acronyms, and definitions.

## 13 Mechanical, Packaging, and Orderable Information

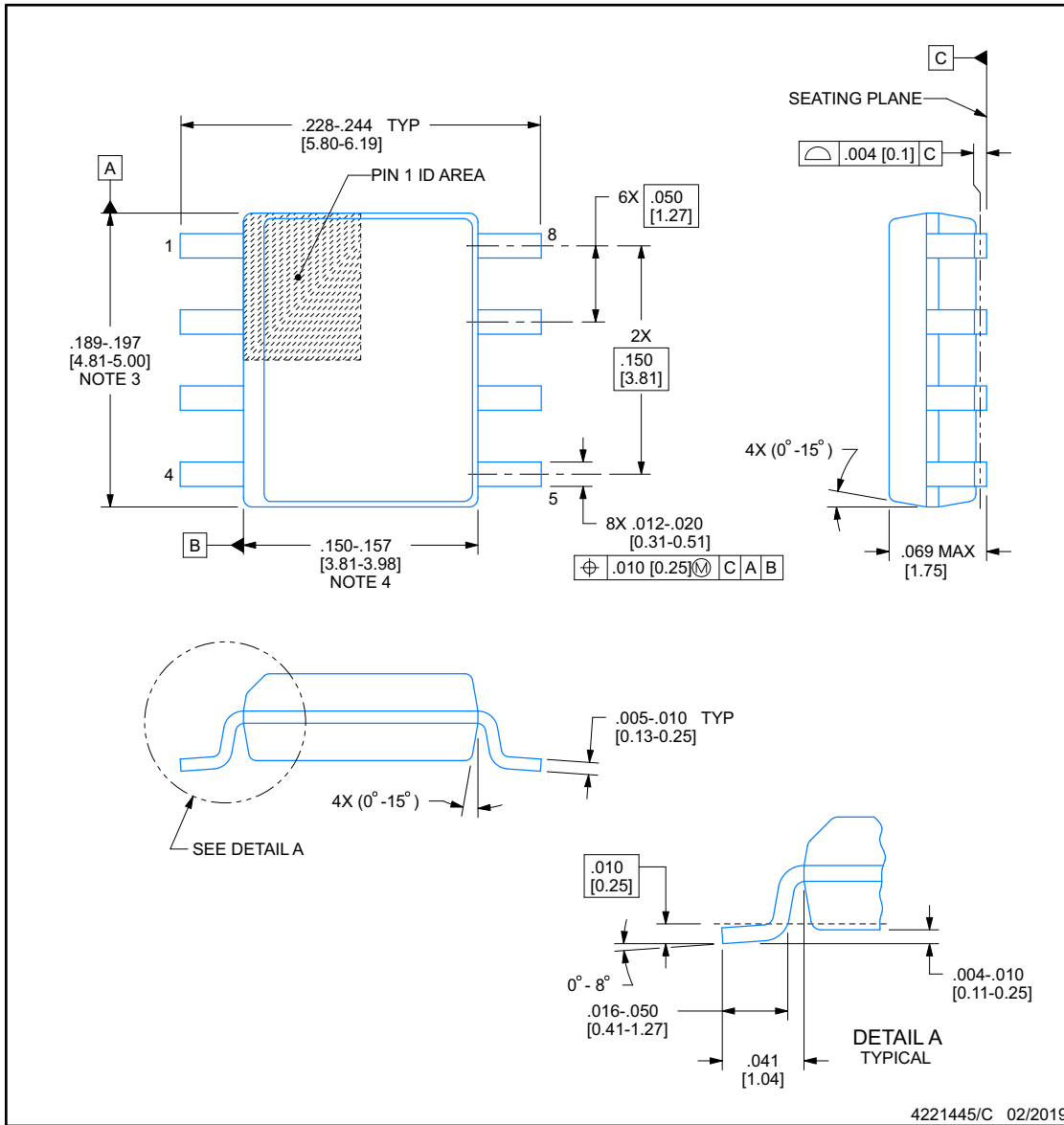
The following pages include mechanical packaging and orderable information. This information is the most current data available for the designated devices. This data is subject to change without notice and revision of this document. For browser-based versions of this data sheet, refer to the left-hand navigation.



**D0008B**

**PACKAGE OUTLINE**  
**SOIC - 1.75 mm max height**

SMALL OUTLINE INTEGRATED CIRCUIT



**NOTES:**

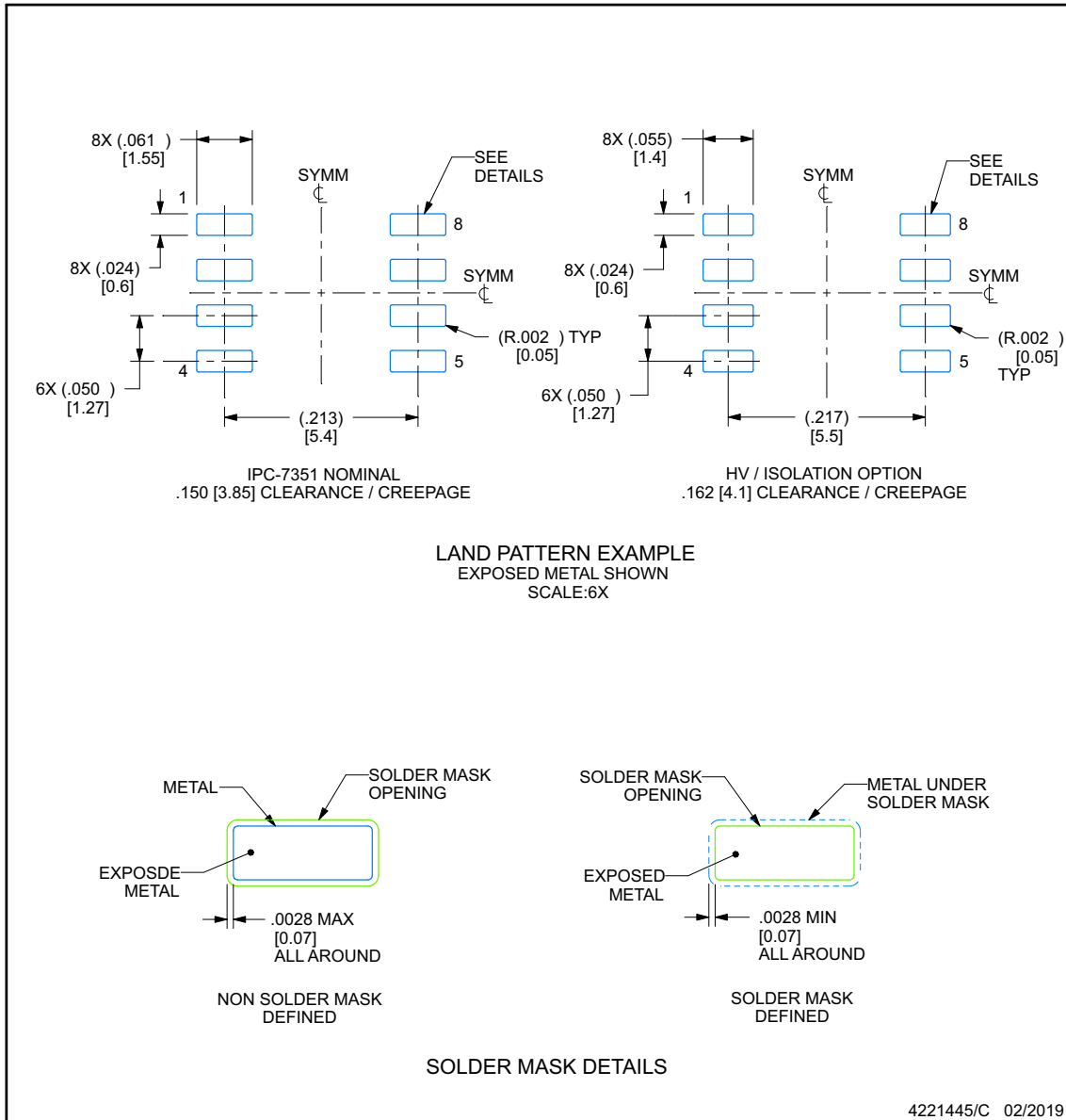
1. Linear dimensions are in inches [millimeters]. Dimensions in parenthesis are for reference only. Controlling dimensions are in inches. Dimensioning and tolerancing per ASME Y14.5M.
2. This drawing is subject to change without notice.
3. This dimension does not include mold flash, protrusions, or gate burrs. Mold flash, protrusions, or gate burrs shall not exceed .006 [0.15], per side.
4. This dimension does not include interlead flash.
5. Reference JEDEC registration MS-012, variation AA.

## EXAMPLE BOARD LAYOUT

**D0008B**

**SOIC - 1.75 mm max height**

SMALL OUTLINE INTEGRATED CIRCUIT



NOTES: (continued)

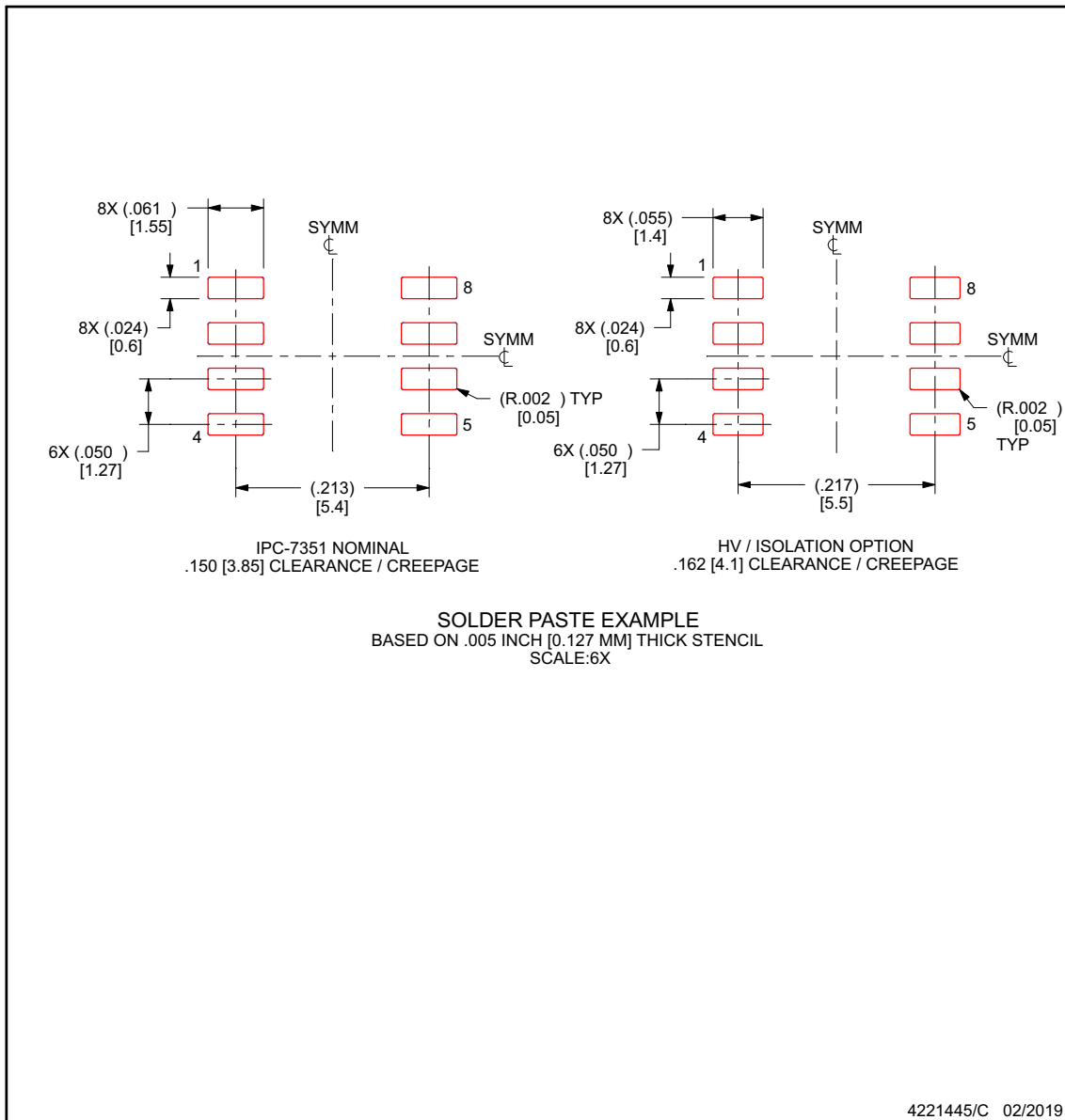
- Publication IPC-7351 may have alternate designs.
- Solder mask tolerances between and around signal pads can vary based on board fabrication site.

## EXAMPLE STENCIL DESIGN

**D0008B**

**SOIC - 1.75 mm max height**

SMALL OUTLINE INTEGRATED CIRCUIT



NOTES: (continued)

- 8. Laser cutting apertures with trapezoidal walls and rounded corners may offer better paste release. IPC-7525 may have alternate design recommendations.
- 9. Board assembly site may have different recommendations for stencil design.

**PACKAGING INFORMATION**

| Orderable Device | Status<br>(1) | Package Type | Package Drawing | Pins | Package Qty | Eco Plan<br>(2) | Lead finish/<br>Ball material<br>(6) | MSL Peak Temp<br>(3) | Op Temp (°C) | Device Marking<br>(4/5) | Samples |
|------------------|---------------|--------------|-----------------|------|-------------|-----------------|--------------------------------------|----------------------|--------------|-------------------------|---------|
| ISO7720D         | LIFEBUY       | SOIC         | D               | 8    | 75          | RoHS & Green    | NIPDAU                               | Level-2-260C-1 YEAR  | -55 to 125   | 7720                    |         |
| ISO7720DR        | ACTIVE        | SOIC         | D               | 8    | 2500        | RoHS & Green    | NIPDAU                               | Level-2-260C-1 YEAR  | -55 to 125   | 7720                    | Samples |
| ISO7720DW        | LIFEBUY       | SOIC         | DW              | 16   | 40          | RoHS & Green    | NIPDAU                               | Level-2-260C-1 YEAR  | -55 to 125   | ISO7720                 |         |
| ISO7720DWR       | ACTIVE        | SOIC         | DW              | 16   | 2000        | RoHS & Green    | NIPDAU                               | Level-2-260C-1 YEAR  | -55 to 125   | ISO7720                 | Samples |
| ISO7720DWV       | LIFEBUY       | SOIC         | DWV             | 8    | 64          | RoHS & Green    | NIPDAU                               | Level-2-260C-1 YEAR  | -55 to 125   | 7720                    |         |
| ISO7720DWVR      | ACTIVE        | SOIC         | DWV             | 8    | 1000        | RoHS & Green    | NIPDAU                               | Level-2-260C-1 YEAR  | -55 to 125   | 7720                    | Samples |
| ISO7720FD        | LIFEBUY       | SOIC         | D               | 8    | 75          | RoHS & Green    | NIPDAU                               | Level-2-260C-1 YEAR  | -55 to 125   | 7720F                   |         |
| ISO7720FDR       | ACTIVE        | SOIC         | D               | 8    | 2500        | RoHS & Green    | NIPDAU                               | Level-2-260C-1 YEAR  | -55 to 125   | 7720F                   | Samples |
| ISO7720FDW       | LIFEBUY       | SOIC         | DW              | 16   | 40          | RoHS & Green    | NIPDAU                               | Level-2-260C-1 YEAR  | -55 to 125   | ISO7720F                |         |
| ISO7720FDWR      | ACTIVE        | SOIC         | DW              | 16   | 2000        | RoHS & Green    | NIPDAU                               | Level-2-260C-1 YEAR  | -55 to 125   | ISO7720F                | Samples |
| ISO7720FDWV      | LIFEBUY       | SOIC         | DWV             | 8    | 64          | RoHS & Green    | NIPDAU                               | Level-2-260C-1 YEAR  | -55 to 125   | 7720F                   |         |
| ISO7720FDWVR     | ACTIVE        | SOIC         | DWV             | 8    | 1000        | RoHS & Green    | NIPDAU                               | Level-2-260C-1 YEAR  | -55 to 125   | 7720F                   | Samples |
| ISO7721BDW       | LIFEBUY       | SOIC         | DW              | 16   | 40          | RoHS & Green    | NIPDAU                               | Level-2-260C-1 YEAR  | -55 to 125   | ISO7721B                |         |
| ISO7721BDWR      | ACTIVE        | SOIC         | DW              | 16   | 2000        | RoHS & Green    | NIPDAU                               | Level-2-260C-1 YEAR  | -55 to 125   | ISO7721B                | Samples |
| ISO7721D         | LIFEBUY       | SOIC         | D               | 8    | 75          | RoHS & Green    | NIPDAU                               | Level-2-260C-1 YEAR  | -55 to 125   | 7721                    |         |
| ISO7721DR        | ACTIVE        | SOIC         | D               | 8    | 2500        | RoHS & Green    | NIPDAU                               | Level-2-260C-1 YEAR  | -55 to 125   | 7721                    | Samples |
| ISO7721DW        | LIFEBUY       | SOIC         | DW              | 16   | 40          | RoHS & Green    | NIPDAU                               | Level-2-260C-1 YEAR  | -55 to 125   | ISO7721                 |         |
| ISO7721DWR       | ACTIVE        | SOIC         | DW              | 16   | 2000        | RoHS & Green    | NIPDAU                               | Level-2-260C-1 YEAR  | -55 to 125   | ISO7721                 | Samples |
| ISO7721DWV       | LIFEBUY       | SOIC         | DWV             | 8    | 64          | RoHS & Green    | NIPDAU                               | Level-2-260C-1 YEAR  | -55 to 125   | 7721                    |         |
| ISO7721DWVR      | ACTIVE        | SOIC         | DWV             | 8    | 1000        | RoHS & Green    | NIPDAU                               | Level-2-260C-1 YEAR  | -55 to 125   | 7721                    | Samples |
| ISO7721FBDW      | LIFEBUY       | SOIC         | DW              | 16   | 40          | RoHS & Green    | NIPDAU                               | Level-2-260C-1 YEAR  | -55 to 125   | ISO7721FB               |         |
| ISO7721FBDWR     | ACTIVE        | SOIC         | DW              | 16   | 2000        | RoHS & Green    | NIPDAU                               | Level-2-260C-1 YEAR  | -55 to 125   | ISO7721FB               | Samples |
| ISO7721FD        | LIFEBUY       | SOIC         | D               | 8    | 75          | RoHS & Green    | NIPDAU                               | Level-2-260C-1 YEAR  | -55 to 125   | 7721F                   |         |
| ISO7721FDR       | ACTIVE        | SOIC         | D               | 8    | 2500        | RoHS & Green    | NIPDAU                               | Level-2-260C-1 YEAR  | -55 to 125   | 7721F                   | Samples |

| Orderable Device | Status<br>(1) | Package Type | Package Drawing | Pins | Package Qty | Eco Plan<br>(2) | Lead finish/<br>Ball material<br>(6) | MSL Peak Temp<br>(3) | Op Temp (°C) | Device Marking<br>(4/5) | Samples |
|------------------|---------------|--------------|-----------------|------|-------------|-----------------|--------------------------------------|----------------------|--------------|-------------------------|---------|
| ISO7721FDW       | LIFEBUY       | SOIC         | DW              | 16   | 40          | RoHS & Green    | NIPDAU                               | Level-2-260C-1 YEAR  | -55 to 125   | ISO7721F                |         |
| ISO7721FDWR      | ACTIVE        | SOIC         | DW              | 16   | 2000        | RoHS & Green    | NIPDAU                               | Level-2-260C-1 YEAR  | -55 to 125   | ISO7721F                | Samples |
| ISO7721FDWV      | LIFEBUY       | SOIC         | DWV             | 8    | 64          | RoHS & Green    | NIPDAU                               | Level-2-260C-1 YEAR  | -55 to 125   | 7721F                   |         |
| ISO7721FDWVR     | ACTIVE        | SOIC         | DWV             | 8    | 1000        | RoHS & Green    | NIPDAU                               | Level-2-260C-1 YEAR  | -55 to 125   | 7721F                   | Samples |

(1) The marketing status values are defined as follows:

**ACTIVE:** Product device recommended for new designs.

**LIFEBUY:** TI has announced that the device will be discontinued, and a lifetime-buy period is in effect.

**NRND:** Not recommended for new designs. Device is in production to support existing customers, but TI does not recommend using this part in a new design.

**PREVIEW:** Device has been announced but is not in production. Samples may or may not be available.

**OBSELETE:** TI has discontinued the production of the device.

(2) **RoHS:** TI defines "RoHS" to mean semiconductor products that are compliant with the current EU RoHS requirements for all 10 RoHS substances, including the requirement that RoHS substance do not exceed 0.1% by weight in homogeneous materials. Where designed to be soldered at high temperatures, "RoHS" products are suitable for use in specified lead-free processes. TI may reference these types of products as "Pb-Free".

**RoHS Exempt:** TI defines "RoHS Exempt" to mean products that contain lead but are compliant with EU RoHS pursuant to a specific EU RoHS exemption.

**Green:** TI defines "Green" to mean the content of Chlorine (Cl) and Bromine (Br) based flame retardants meet JS709B low halogen requirements of <=1000ppm threshold. Antimony trioxide based flame retardants must also meet the <=1000ppm threshold requirement.

(3) MSL, Peak Temp. - The Moisture Sensitivity Level rating according to the JEDEC industry standard classifications, and peak solder temperature.

(4) There may be additional marking, which relates to the logo, the lot trace code information, or the environmental category on the device.

(5) Multiple Device Markings will be inside parentheses. Only one Device Marking contained in parentheses and separated by a "~" will appear on a device. If a line is indented then it is a continuation of the previous line and the two combined represent the entire Device Marking for that device.

(6) Lead finish/Ball material - Orderable Devices may have multiple material finish options. Finish options are separated by a vertical ruled line. Lead finish/Ball material values may wrap to two lines if the finish value exceeds the maximum column width.

**Important Information and Disclaimer:**The information provided on this page represents TI's knowledge and belief as of the date that it is provided. TI bases its knowledge and belief on information provided by third parties, and makes no representation or warranty as to the accuracy of such information. Efforts are underway to better integrate information from third parties. TI has taken and continues to take reasonable steps to provide representative and accurate information but may not have conducted destructive testing or chemical analysis on incoming materials and chemicals. TI and TI suppliers consider certain information to be proprietary, and thus CAS numbers and other limited information may not be available for release.

In no event shall TI's liability arising out of such information exceed the total purchase price of the TI part(s) at issue in this document sold by TI to Customer on an annual basis.

**OTHER QUALIFIED VERSIONS OF ISO7720, ISO7721 :**

- Automotive : [ISO7720-Q1](#), [ISO7721-Q1](#)

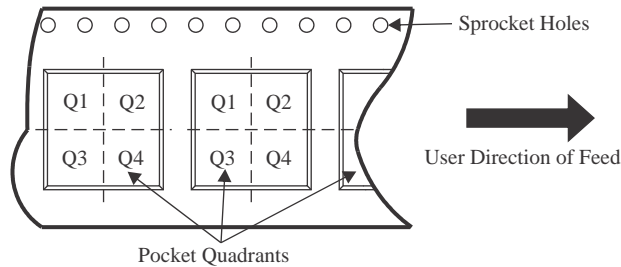
## NOTE: Qualified Version Definitions:

- Automotive - Q100 devices qualified for high-reliability automotive applications targeting zero defects

## TAPE AND REEL INFORMATION



### QUADRANT ASSIGNMENTS FOR PIN 1 ORIENTATION IN TAPE



\*All dimensions are nominal

| Device       | Package Type | Package Drawing | Pins | SPQ  | Reel Diameter (mm) | Reel Width W1 (mm) | A0 (mm) | B0 (mm) | K0 (mm) | P1 (mm) | W (mm) | Pin1 Quadrant |
|--------------|--------------|-----------------|------|------|--------------------|--------------------|---------|---------|---------|---------|--------|---------------|
| ISO7720DR    | SOIC         | D               | 8    | 2500 | 330.0              | 12.4               | 6.4     | 5.2     | 2.1     | 8.0     | 12.0   | Q1            |
| ISO7720DR    | SOIC         | D               | 8    | 2500 | 330.0              | 12.4               | 6.4     | 5.2     | 2.1     | 8.0     | 12.0   | Q1            |
| ISO7720DWR   | SOIC         | DW              | 16   | 2000 | 330.0              | 16.4               | 10.75   | 10.7    | 2.7     | 12.0    | 16.0   | Q1            |
| ISO7720DWR   | SOIC         | DW              | 16   | 2000 | 330.0              | 16.4               | 10.75   | 10.7    | 2.7     | 12.0    | 16.0   | Q1            |
| ISO7720DWVR  | SOIC         | DWV             | 8    | 1000 | 330.0              | 16.4               | 12.05   | 6.15    | 3.3     | 16.0    | 16.0   | Q1            |
| ISO7720FDR   | SOIC         | D               | 8    | 2500 | 330.0              | 12.4               | 6.4     | 5.2     | 2.1     | 8.0     | 12.0   | Q1            |
| ISO7720FDR   | SOIC         | D               | 8    | 2500 | 330.0              | 12.4               | 6.4     | 5.2     | 2.1     | 8.0     | 12.0   | Q1            |
| ISO7720FDWR  | SOIC         | DW              | 16   | 2000 | 330.0              | 16.4               | 10.75   | 10.7    | 2.7     | 12.0    | 16.0   | Q1            |
| ISO7720FDWR  | SOIC         | DW              | 16   | 2000 | 330.0              | 16.4               | 10.75   | 10.7    | 2.7     | 12.0    | 16.0   | Q1            |
| ISO7720FDWVR | SOIC         | DWV             | 8    | 1000 | 330.0              | 16.4               | 12.05   | 6.15    | 3.3     | 16.0    | 16.0   | Q1            |
| ISO7721BDWR  | SOIC         | DW              | 16   | 2000 | 330.0              | 16.4               | 10.75   | 10.7    | 2.7     | 12.0    | 16.0   | Q1            |
| ISO7721BDWR  | SOIC         | DW              | 16   | 2000 | 330.0              | 16.4               | 10.75   | 10.7    | 2.7     | 12.0    | 16.0   | Q1            |
| ISO7721DR    | SOIC         | D               | 8    | 2500 | 330.0              | 12.4               | 6.4     | 5.2     | 2.1     | 8.0     | 12.0   | Q1            |
| ISO7721DR    | SOIC         | D               | 8    | 2500 | 330.0              | 12.4               | 6.4     | 5.2     | 2.1     | 8.0     | 12.0   | Q1            |
| ISO7721DWR   | SOIC         | DW              | 16   | 2000 | 330.0              | 16.4               | 10.75   | 10.7    | 2.7     | 12.0    | 16.0   | Q1            |
| ISO7721DWR   | SOIC         | DW              | 16   | 2000 | 330.0              | 16.4               | 10.75   | 10.7    | 2.7     | 12.0    | 16.0   | Q1            |



| Device       | Package Type | Package Drawing | Pins | SPQ  | Reel Diameter (mm) | Reel Width W1 (mm) | A0 (mm) | B0 (mm) | K0 (mm) | P1 (mm) | W (mm) | Pin1 Quadrant |
|--------------|--------------|-----------------|------|------|--------------------|--------------------|---------|---------|---------|---------|--------|---------------|
| ISO7721DWVR  | SOIC         | DWV             | 8    | 1000 | 330.0              | 16.4               | 12.05   | 6.15    | 3.3     | 16.0    | 16.0   | Q1            |
| ISO7721FBDWR | SOIC         | DW              | 16   | 2000 | 330.0              | 16.4               | 10.75   | 10.7    | 2.7     | 12.0    | 16.0   | Q1            |
| ISO7721FDR   | SOIC         | D               | 8    | 2500 | 330.0              | 12.4               | 6.4     | 5.2     | 2.1     | 8.0     | 12.0   | Q1            |
| ISO7721FDR   | SOIC         | D               | 8    | 2500 | 330.0              | 12.4               | 6.4     | 5.2     | 2.1     | 8.0     | 12.0   | Q1            |
| ISO7721FDWR  | SOIC         | DW              | 16   | 2000 | 330.0              | 16.4               | 10.75   | 10.7    | 2.7     | 12.0    | 16.0   | Q1            |
| ISO7721FDWR  | SOIC         | DW              | 16   | 2000 | 330.0              | 16.4               | 10.75   | 10.7    | 2.7     | 12.0    | 16.0   | Q1            |
| ISO7721FDWVR | SOIC         | DWV             | 8    | 1000 | 330.0              | 16.4               | 12.05   | 6.15    | 3.3     | 16.0    | 16.0   | Q1            |

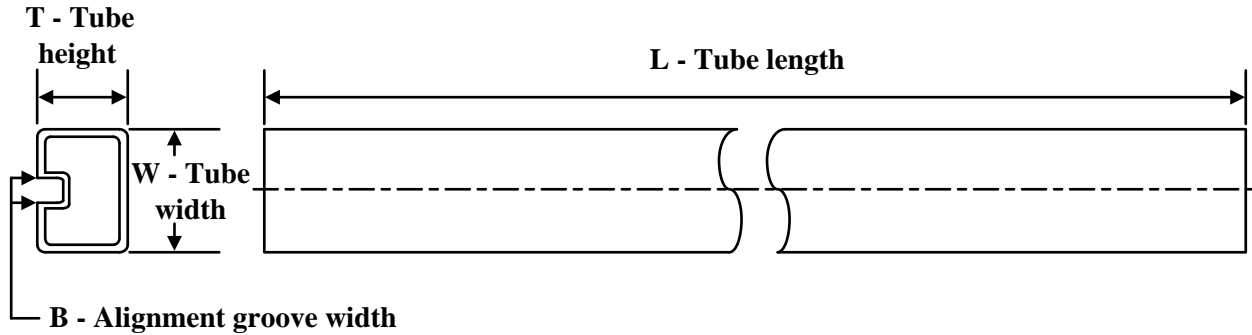
**TAPE AND REEL BOX DIMENSIONS**


\*All dimensions are nominal

| Device       | Package Type | Package Drawing | Pins | SPQ  | Length (mm) | Width (mm) | Height (mm) |
|--------------|--------------|-----------------|------|------|-------------|------------|-------------|
| ISO7720DR    | SOIC         | D               | 8    | 2500 | 350.0       | 350.0      | 43.0        |
| ISO7720DR    | SOIC         | D               | 8    | 2500 | 350.0       | 350.0      | 43.0        |
| ISO7720DWR   | SOIC         | DW              | 16   | 2000 | 356.0       | 356.0      | 35.0        |
| ISO7720DWR   | SOIC         | DW              | 16   | 2000 | 356.0       | 356.0      | 35.0        |
| ISO7720DWVR  | SOIC         | DWV             | 8    | 1000 | 350.0       | 350.0      | 43.0        |
| ISO7720FDR   | SOIC         | D               | 8    | 2500 | 350.0       | 350.0      | 43.0        |
| ISO7720FDR   | SOIC         | D               | 8    | 2500 | 350.0       | 350.0      | 43.0        |
| ISO7720FDWR  | SOIC         | DW              | 16   | 2000 | 356.0       | 356.0      | 35.0        |
| ISO7720FDWR  | SOIC         | DW              | 16   | 2000 | 356.0       | 356.0      | 35.0        |
| ISO7720FDWVR | SOIC         | DWV             | 8    | 1000 | 350.0       | 350.0      | 43.0        |
| ISO7721BDWR  | SOIC         | DW              | 16   | 2000 | 356.0       | 356.0      | 35.0        |
| ISO7721BDWR  | SOIC         | DW              | 16   | 2000 | 353.0       | 353.0      | 32.0        |
| ISO7721DR    | SOIC         | D               | 8    | 2500 | 350.0       | 350.0      | 43.0        |
| ISO7721DR    | SOIC         | D               | 8    | 2500 | 350.0       | 350.0      | 43.0        |
| ISO7721DWR   | SOIC         | DW              | 16   | 2000 | 353.0       | 353.0      | 32.0        |
| ISO7721DWR   | SOIC         | DW              | 16   | 2000 | 356.0       | 356.0      | 35.0        |
| ISO7721DWVR  | SOIC         | DWV             | 8    | 1000 | 350.0       | 350.0      | 43.0        |
| ISO7721FBDWR | SOIC         | DW              | 16   | 2000 | 350.0       | 350.0      | 43.0        |

---

| Device       | Package Type | Package Drawing | Pins | SPQ  | Length (mm) | Width (mm) | Height (mm) |
|--------------|--------------|-----------------|------|------|-------------|------------|-------------|
| ISO7721FDR   | SOIC         | D               | 8    | 2500 | 350.0       | 350.0      | 43.0        |
| ISO7721FDR   | SOIC         | D               | 8    | 2500 | 350.0       | 350.0      | 43.0        |
| ISO7721FDWR  | SOIC         | DW              | 16   | 2000 | 353.0       | 353.0      | 32.0        |
| ISO7721FDWR  | SOIC         | DW              | 16   | 2000 | 356.0       | 356.0      | 35.0        |
| ISO7721FDWVR | SOIC         | DWV             | 8    | 1000 | 350.0       | 350.0      | 43.0        |

**TUBE**


\*All dimensions are nominal

| Device      | Package Name | Package Type | Pins | SPQ | L (mm) | W (mm) | T (μm) | B (mm) |
|-------------|--------------|--------------|------|-----|--------|--------|--------|--------|
| ISO7720D    | D            | SOIC         | 8    | 75  | 505.46 | 6.76   | 3810   | 4      |
| ISO7720DW   | DW           | SOIC         | 16   | 40  | 507    | 12.83  | 5080   | 6.6    |
| ISO7720DW   | DW           | SOIC         | 16   | 40  | 506.98 | 12.7   | 4826   | 6.6    |
| ISO7720DWV  | DWV          | SOIC         | 8    | 64  | 505.46 | 13.94  | 4826   | 6.6    |
| ISO7720FD   | D            | SOIC         | 8    | 75  | 505.46 | 6.76   | 3810   | 4      |
| ISO7720FDW  | DW           | SOIC         | 16   | 40  | 506.98 | 12.7   | 4826   | 6.6    |
| ISO7720FDW  | DW           | SOIC         | 16   | 40  | 507    | 12.83  | 5080   | 6.6    |
| ISO7720FDWV | DWV          | SOIC         | 8    | 64  | 505.46 | 13.94  | 4826   | 6.6    |
| ISO7721BDW  | DW           | SOIC         | 16   | 40  | 507    | 12.83  | 5080   | 6.6    |
| ISO7721BDW  | DW           | SOIC         | 16   | 40  | 506.98 | 12.7   | 4826   | 6.6    |
| ISO7721D    | D            | SOIC         | 8    | 75  | 505.46 | 6.76   | 3810   | 4      |
| ISO7721DW   | DW           | SOIC         | 16   | 40  | 506.98 | 12.7   | 4826   | 6.6    |
| ISO7721DW   | DW           | SOIC         | 16   | 40  | 507    | 12.83  | 5080   | 6.6    |
| ISO7721DWV  | DWV          | SOIC         | 8    | 64  | 505.46 | 13.94  | 4826   | 6.6    |
| ISO7721FBDW | DW           | SOIC         | 16   | 40  | 507    | 12.83  | 5080   | 6.6    |
| ISO7721FBDW | DW           | SOIC         | 16   | 40  | 506.98 | 12.7   | 4826   | 6.6    |
| ISO7721FD   | D            | SOIC         | 8    | 75  | 505.46 | 6.76   | 3810   | 4      |
| ISO7721FDW  | DW           | SOIC         | 16   | 40  | 507    | 12.83  | 5080   | 6.6    |
| ISO7721FDW  | DW           | SOIC         | 16   | 40  | 506.98 | 12.7   | 4826   | 6.6    |
| ISO7721FDWV | DWV          | SOIC         | 8    | 64  | 505.46 | 13.94  | 4826   | 6.6    |

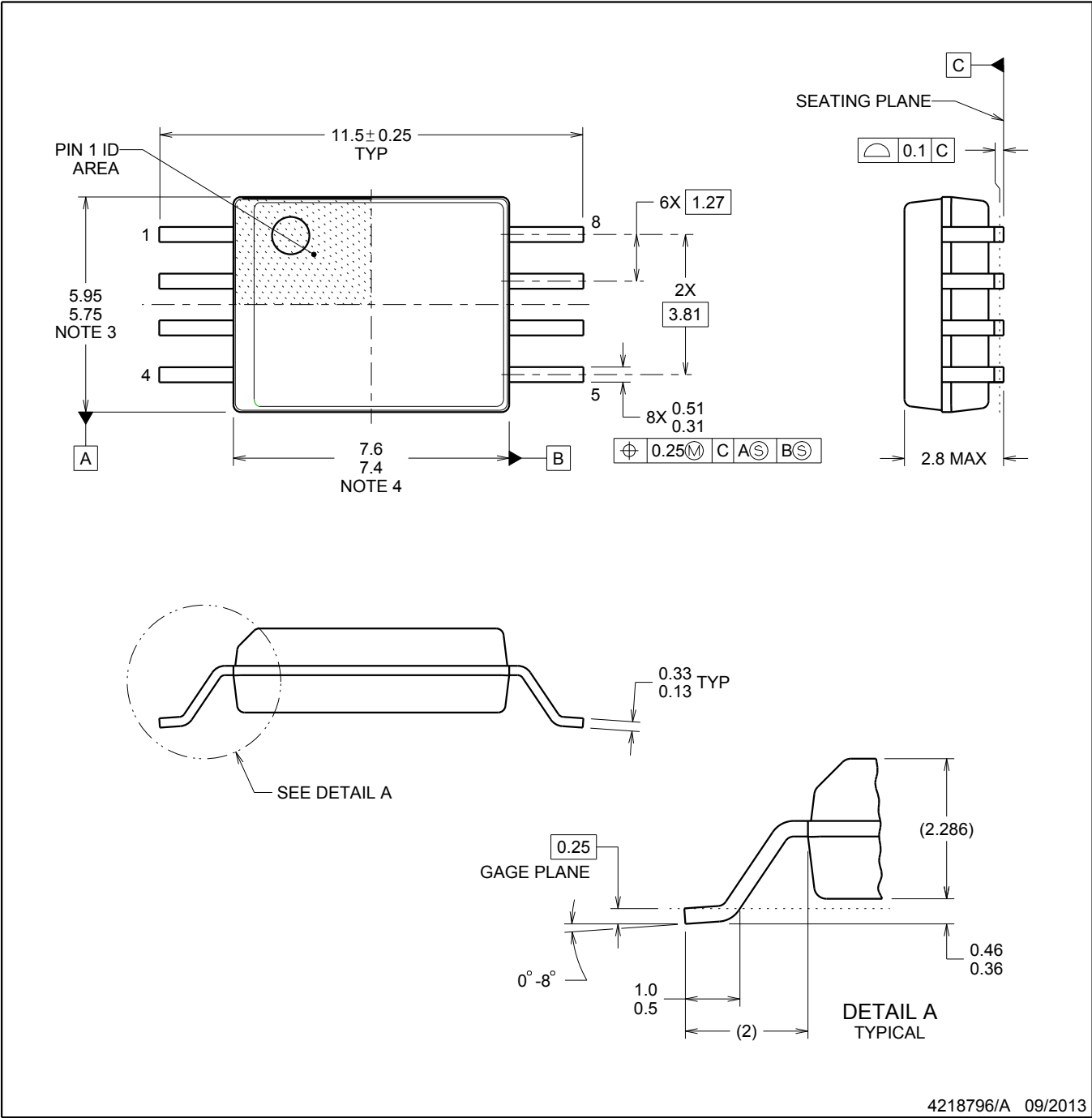
# PACKAGE OUTLINE

DWV0008A



SOIC - 2.8 mm max height

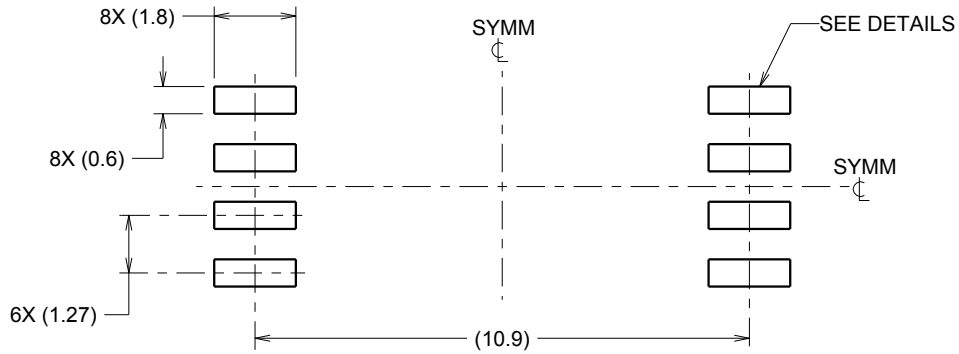
SOIC



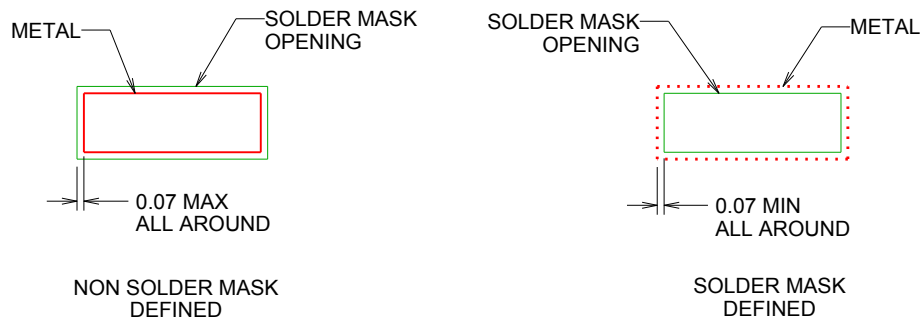
4218796/A 09/2013

**NOTES:**

1. All linear dimensions are in millimeters. Dimensions in parenthesis are for reference only. Dimensioning and tolerancing per ASME Y14.5M.
2. This drawing is subject to change without notice.
3. This dimension does not include mold flash, protrusions, or gate burrs. Mold flash, protrusions, or gate burrs shall not exceed 0.15 mm, per side.
4. This dimension does not include interlead flash. Interlead flash shall not exceed 0.25 mm, per side.



LAND PATTERN EXAMPLE  
9.1 mm NOMINAL CLEARANCE/CREEPAGE  
SCALE:6X

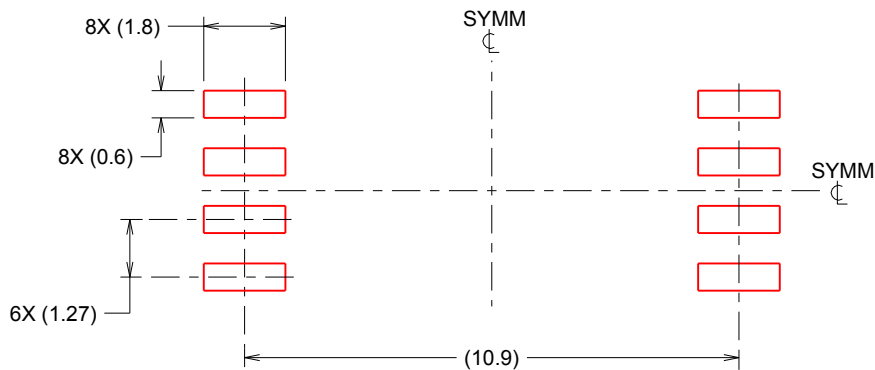


SOLDER MASK DETAILS

4218796/A 09/2013

NOTES: (continued)

- 5. Publication IPC-7351 may have alternate designs.
- 6. Solder mask tolerances between and around signal pads can vary based on board fabrication site.



SOLDER PASTE EXAMPLE  
 BASED ON 0.125 mm THICK STENCIL  
 SCALE:6X

4218796/A 09/2013

NOTES: (continued)

- 7. Laser cutting apertures with trapezoidal walls and rounded corners may offer better paste release. IPC-7525 may have alternate design recommendations.
- 8. Board assembly site may have different recommendations for stencil design.

## GENERIC PACKAGE VIEW

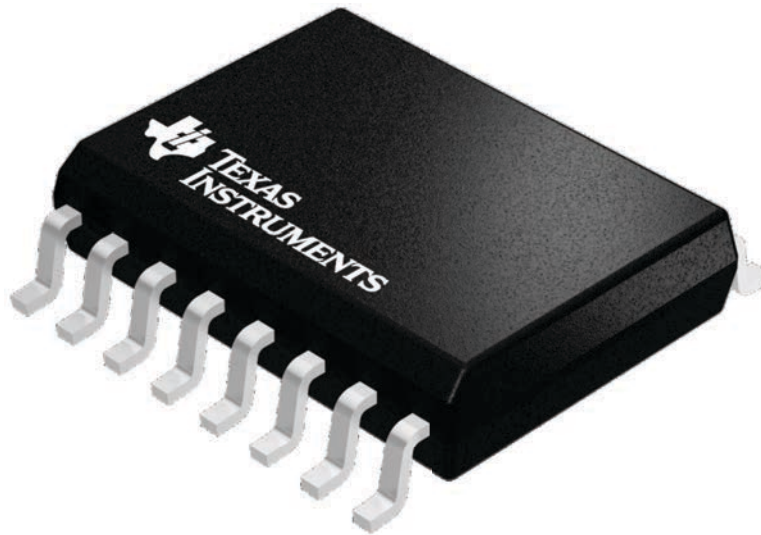
**DW 16**

**SOIC - 2.65 mm max height**

7.5 x 10.3, 1.27 mm pitch

SMALL OUTLINE INTEGRATED CIRCUIT

This image is a representation of the package family, actual package may vary.  
Refer to the product data sheet for package details.



4224780/A



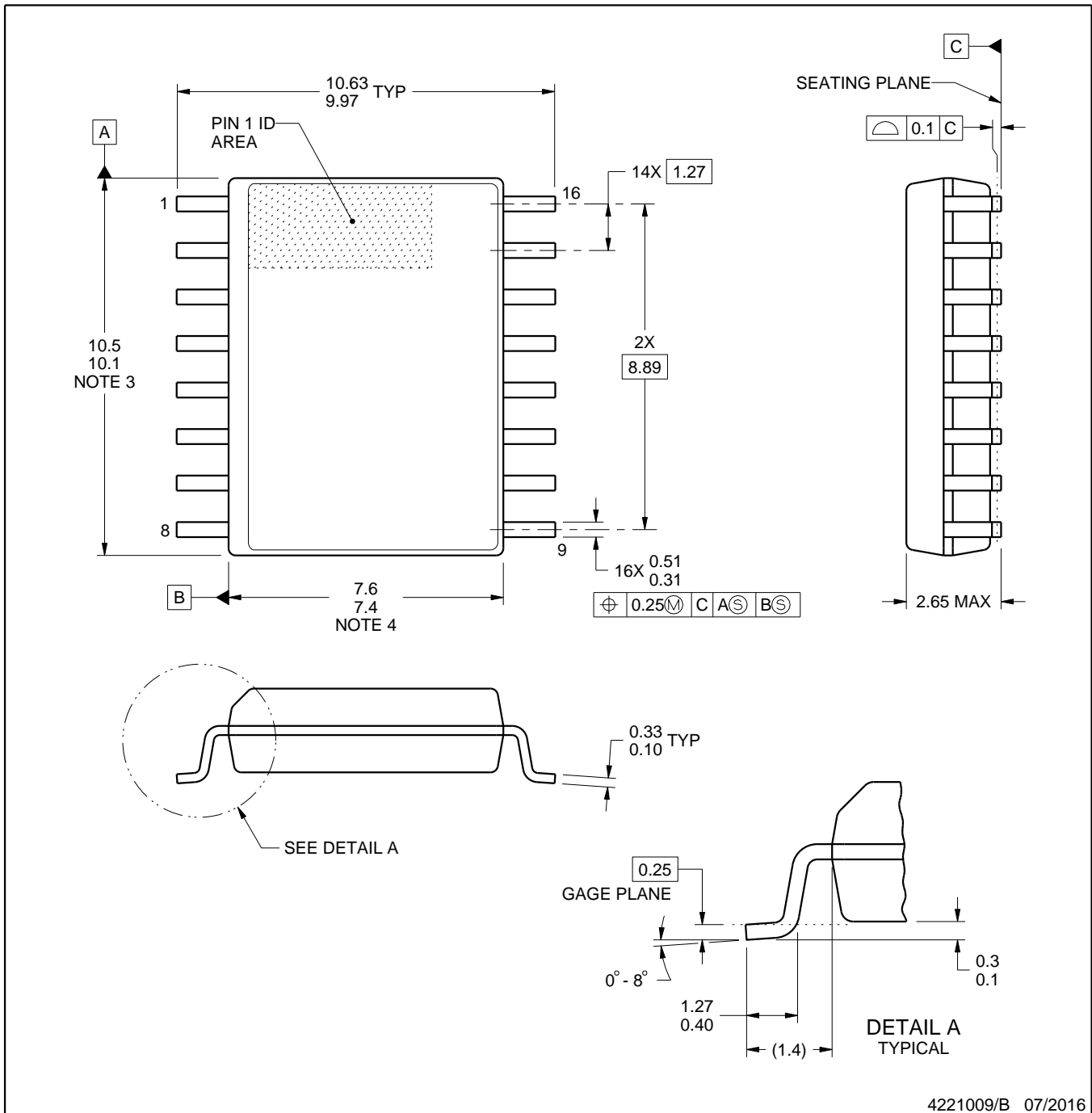


DW0016B

# PACKAGE OUTLINE

SOIC - 2.65 mm max height

SOIC



4221009/B 07/2016

NOTES:

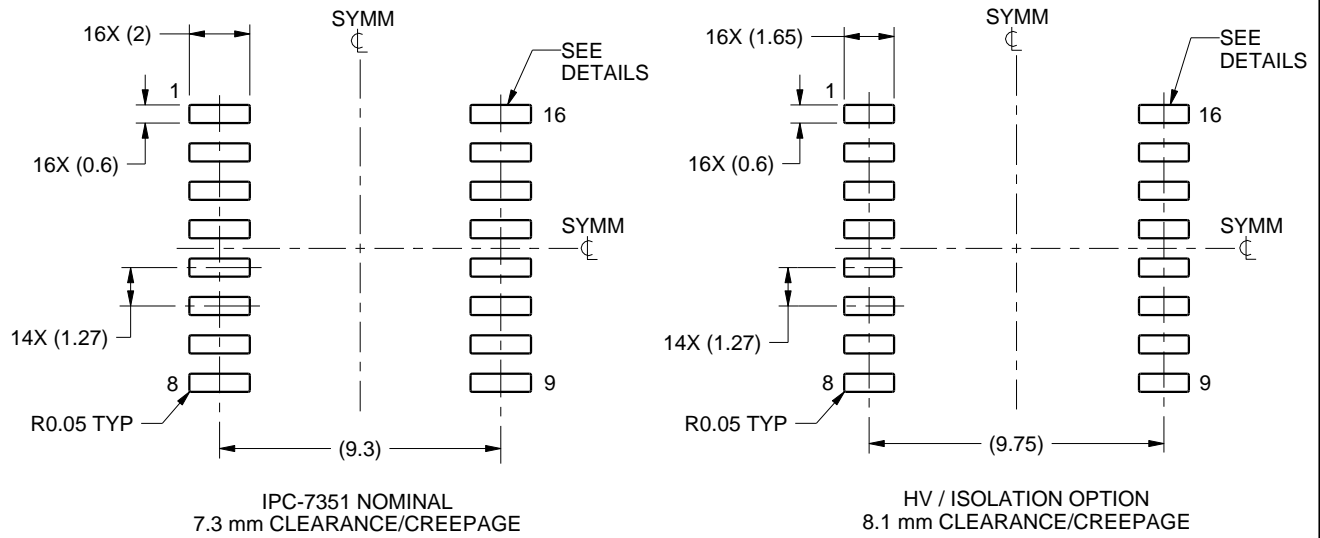
1. All linear dimensions are in millimeters. Dimensions in parenthesis are for reference only. Dimensioning and tolerancing per ASME Y14.5M.
2. This drawing is subject to change without notice.
3. This dimension does not include mold flash, protrusions, or gate burrs. Mold flash, protrusions, or gate burrs shall not exceed 0.15 mm, per side.
4. This dimension does not include interlead flash. Interlead flash shall not exceed 0.25 mm, per side.
5. Reference JEDEC registration MS-013.

# EXAMPLE BOARD LAYOUT

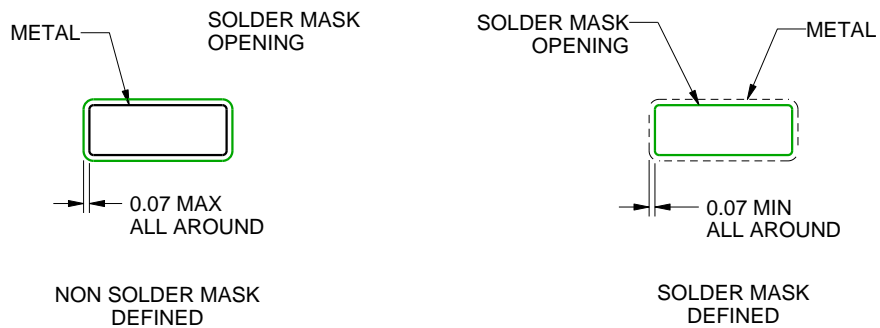
DW0016B

SOIC - 2.65 mm max height

SOIC



LAND PATTERN EXAMPLE  
SCALE:4X



SOLDER MASK DETAILS

4221009/B 07/2016

NOTES: (continued)

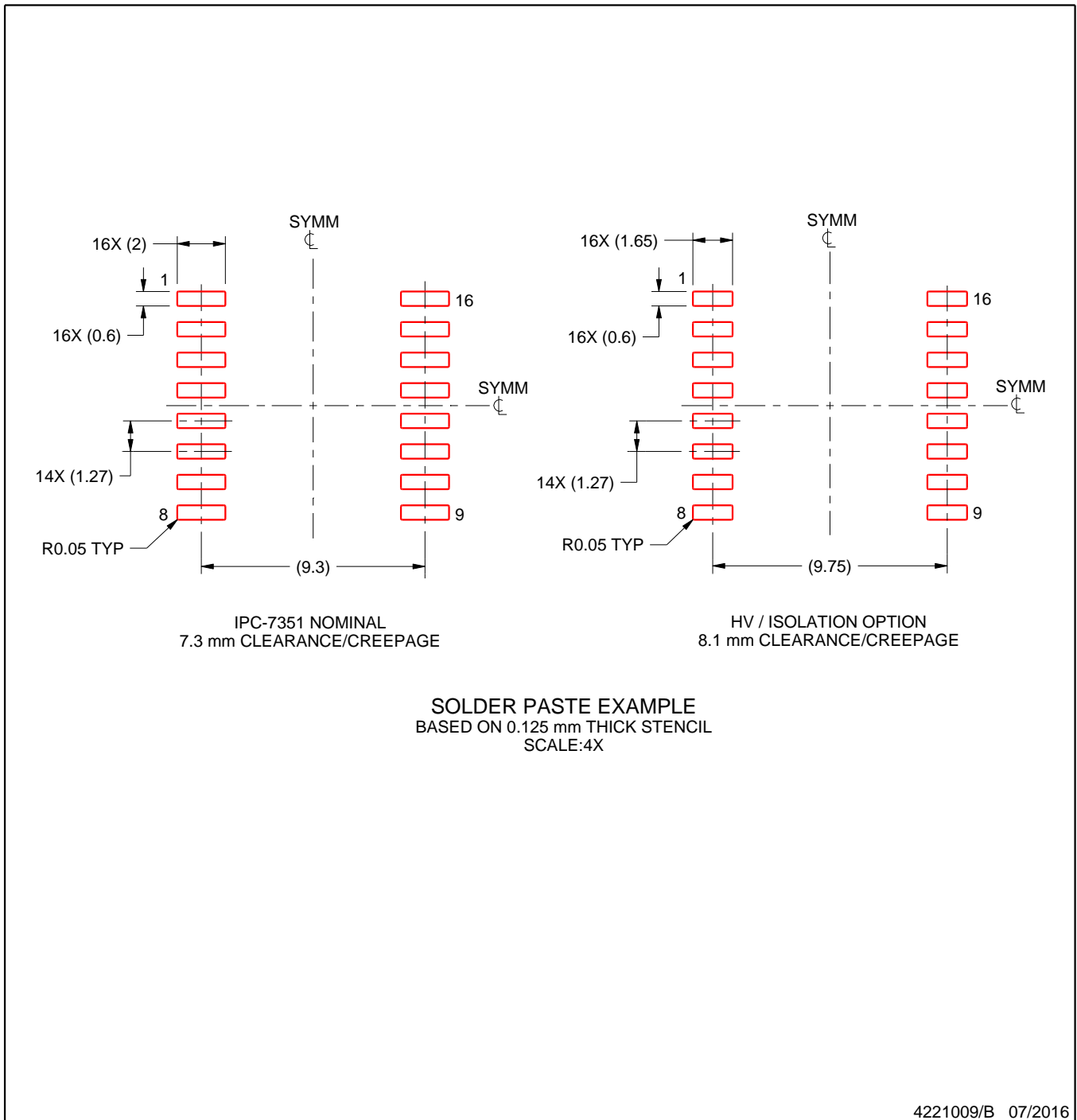
- 6. Publication IPC-7351 may have alternate designs.
- 7. Solder mask tolerances between and around signal pads can vary based on board fabrication site.

# EXAMPLE STENCIL DESIGN

DW0016B

SOIC - 2.65 mm max height

SOIC



NOTES: (continued)

8. Laser cutting apertures with trapezoidal walls and rounded corners may offer better paste release. IPC-7525 may have alternate design recommendations.
9. Board assembly site may have different recommendations for stencil design.

## IMPORTANT NOTICE AND DISCLAIMER

TI PROVIDES TECHNICAL AND RELIABILITY DATA (INCLUDING DATA SHEETS), DESIGN RESOURCES (INCLUDING REFERENCE DESIGNS), APPLICATION OR OTHER DESIGN ADVICE, WEB TOOLS, SAFETY INFORMATION, AND OTHER RESOURCES "AS IS" AND WITH ALL FAULTS, AND DISCLAIMS ALL WARRANTIES, EXPRESS AND IMPLIED, INCLUDING WITHOUT LIMITATION ANY IMPLIED WARRANTIES OF MERCHANTABILITY, FITNESS FOR A PARTICULAR PURPOSE OR NON-INFRINGEMENT OF THIRD PARTY INTELLECTUAL PROPERTY RIGHTS.

These resources are intended for skilled developers designing with TI products. You are solely responsible for (1) selecting the appropriate TI products for your application, (2) designing, validating and testing your application, and (3) ensuring your application meets applicable standards, and any other safety, security, regulatory or other requirements.

These resources are subject to change without notice. TI grants you permission to use these resources only for development of an application that uses the TI products described in the resource. Other reproduction and display of these resources is prohibited. No license is granted to any other TI intellectual property right or to any third party intellectual property right. TI disclaims responsibility for, and you will fully indemnify TI and its representatives against, any claims, damages, costs, losses, and liabilities arising out of your use of these resources.

TI's products are provided subject to [TI's Terms of Sale](#) or other applicable terms available either on [ti.com](https://www.ti.com) or provided in conjunction with such TI products. TI's provision of these resources does not expand or otherwise alter TI's applicable warranties or warranty disclaimers for TI products.

TI objects to and rejects any additional or different terms you may have proposed.

Mailing Address: Texas Instruments, Post Office Box 655303, Dallas, Texas 75265  
Copyright © 2024, Texas Instruments Incorporated