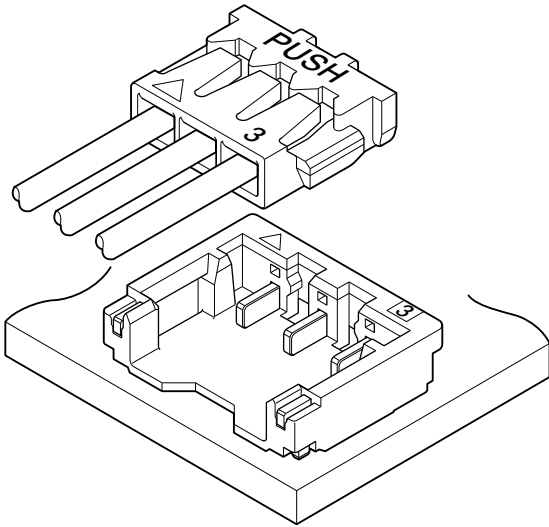


ACH CONNECTOR

1.2 mm pitch/Wire-to-Board connectors/Crimp style and Mating style



This ACH connector is compact and low profile type, height 1.4 mm and width 4.3 mm, 1.2 mm pitch wire-to-board connector.

- Top entry but side feed type
- Connector for DC power supply
- Corresponding to sucking nozzle of pick and place machine

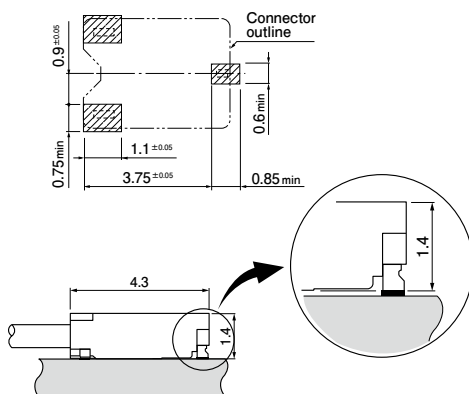
Standards

- Ⓜ: Recognized E60389
- Ⓢ: Certified LR20812

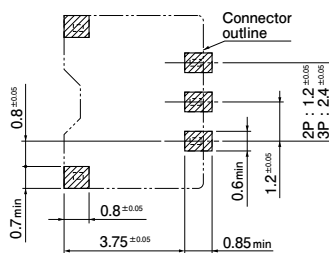
Specifications

- Current rating: 1 to 3 circuits/ 2 A AC/DC (AWG #28)
4, 5 circuits/ 1.5 A AC/DC (AWG #28)
- Voltage rating: 50 V AC/DC
- Temperature range: -25°C to +85°C
(including temperature rise in applying electrical current)
- Contact resistance: Initial value/ 10 mΩ max.
After environmental tests/ 20 mΩ max.
- Insulation resistance: 100 MΩ min.
- Withstanding voltage: 500 VAC/minute
- Applicable wire: Conductor size/ AWG #32 to #28
Insulation O.D./ 0.38 to 0.63 mm
- * Please refer to the "Handling Precautions for Terminals and Connectors" on our website (listed in the "Technical Documents" column on the Product Information page) before use.
- * Dimensional unit: mm
- * RoHS2 Compliance
- * Contact JST for details.

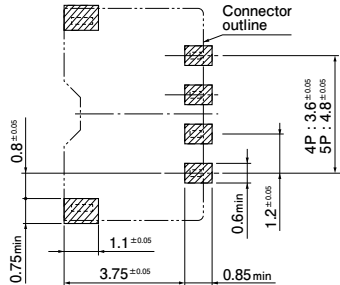
<Single circuit>



<2, 3 circuits>

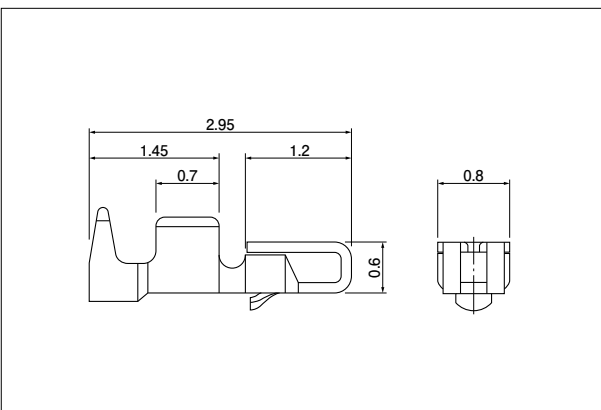


<4, 5 circuits>



Note: 1. The above figure is the figure viewed from the connector mounting side.
2. Tolerance for the PCB pattern pitch shall be ± 0.05 and shall not accumulate.
3. The dimensions above should serve as a guideline. Contact JST for details.

Contact



Model No.	Applicable wire range		Insulation O.D. (mm)	Q'ty/reel
	mm ²	AWG#		
SACH-003G-P0.2	0.05 to 0.08	30 to 28	0.5 to 0.63	30,000
SACH-003G-P0.2B	0.032 to 0.05	32 to 30	0.38 to 0.5	30,000

Material and Finish

Copper alloy, nickel-undercoated, gold-plated

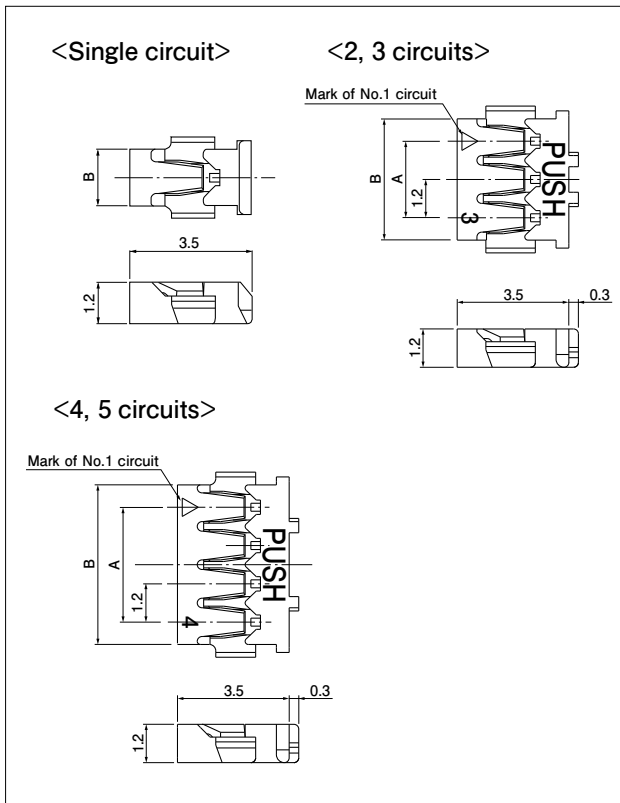
RoHS2 compliance

Contact	Crimping machine	Applicator	
		Applicator	Crimp applicator with dies
SACH-003G-P0.2	AP-K2N	MKS-L-10-3	APLMK SACH003-02
SACH-003G-P0.2B		MKS-L-10-3	APLMK SACH003-02

Note: Contact JST for fully automatic crimping applicator.

ACH CONNECTOR

Housing



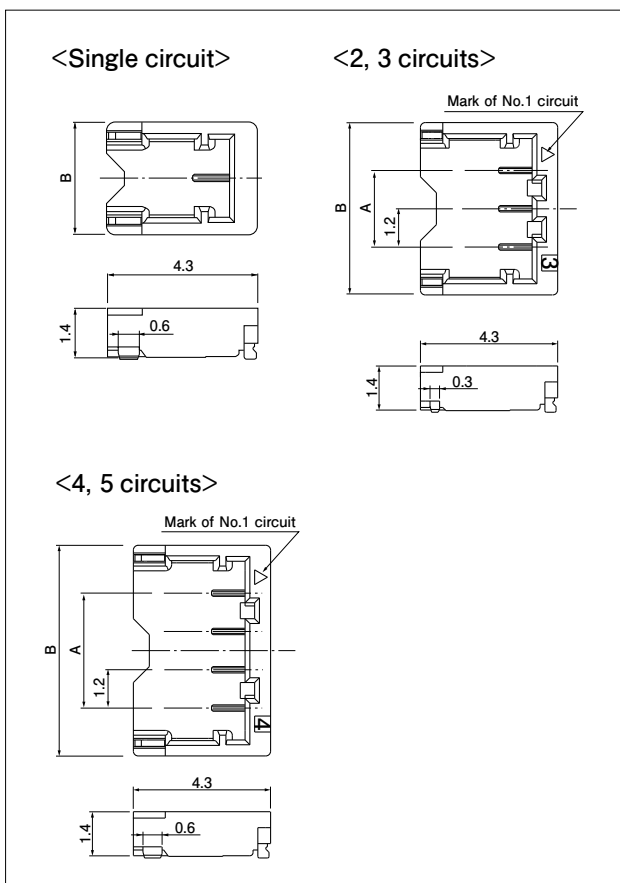
No. of circuits	Model No.	Dimensions (mm)		Q'ty/ bag
		A	B	
1	ACHR-01V-A-S	—	1.6	2,000
2	ACHR-02V-S	1.2	2.6	1,000
3	ACHR-03V-S	2.4	3.8	1,000
4	ACHR-04V-A-S	3.6	5.0	1,000
5	ACHR-05V-A-S	4.8	6.2	1,000

Material and Finish

Thermoplastic resin, UL94V-0, natural (white)

RoHS2 compliance

Header



No. of circuits	Model No.	Dimensions (mm)		Q'ty/ reel
		A	B	
1	BM01B-ACHSS-A-GAN-ETF	—	3.2	4,500
2	BM02B-ACHSS-A-GAN-ETF	1.2	4.2	4,500
3	BM03B-ACHSS-A-GAN-ETF	2.4	5.4	4,500
4	BM04B-ACHSS-A-GAN-ETF	3.6	6.6	4,500
5	BM05B-ACHSS-A-GAN-ETF	4.8	7.8	4,500

Material and Finish

Contact: Copper alloy, nickel-undercoated, gold-plated (nickel-stripe)

Housing: Heat resisting resin, UL94V-0, natural (ivory)

Solder tab: Copper alloy, copper-undercoated, tin-plated

RoHS2 compliance This product displays (LF) (SN) on a label.

ACH CONNECTOR

Model number allocation

Contact

S ACH - 003 G - P 0.2 ■

Form: S···Strip form

Series name

Applicable wire range: Normal type···AWG#30 to #28
Type B···AWG#32 to #30

Surface finish: G···Nickel-undercoated gold-plated

Material: P···Copper alloy

Terminal size

Type name: Blank···Normal type, B···Type B

Housing

ACH R - 02 V - ■ - S

Series name

Part name: Receptacle

No. of circuits: 1 to 5

Flammability: V···UL94V-0

Type: Blank···2, 3-circuit product, A···1, 4, 5-circuit product

Color: S···Natural (White), K···Black

Header

BM 02 B - ACH S S - ■ - GAN - ETF

Shape of assembled product:
BM···SMT Top entry type

No. of circuits: 1 to 5

Part name: Header

Series name

Color: S···Natural (Ivory), K···Black

Clinched (Kinked) / Not clinched: S···Straight

Type: Blank···2, 3-circuit product, A···1, 4, 5-circuit product

Surface finish: GAN···Nickel-undercoated gold-plated (nickel stripe)

Packaging style: ETF···Embossed-taping