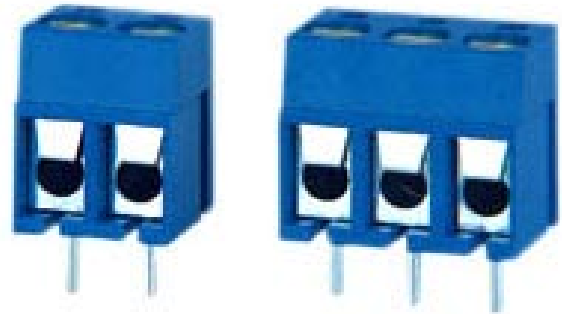


**Pitch: 5.0mm, 10.0mm**

**YC550V Series**

MATERIAL	
Screw:	M3, Steel, Zinc-Plated
Wire Guard:	Phosphor Bronze, Ni-Plated or Stainless Steel
Pin Header:	Brass, Tin-Plated
Housing:	PBT, UL94V-0
ELECTRICAL	
Rated Voltage:	250V
Rated Current:	16A
Contact Resistance:	20mΩ
Insulation Resistance:	5000mΩ / 1000V
Withstand Voltage:	AC1500V / 1Min
Wire Range:	22-14AWG 2.5mm <sup>2</sup>
MECHANICAL	
Temperature Range:	-30°C ~ +120°C
Max Soldering:	+250°C 5 sec
Torque:	0.5Nm (4.5lb.in)
Strip Length:	4.5-5mm



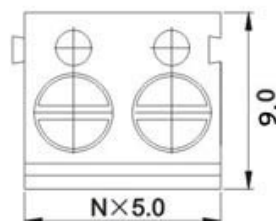
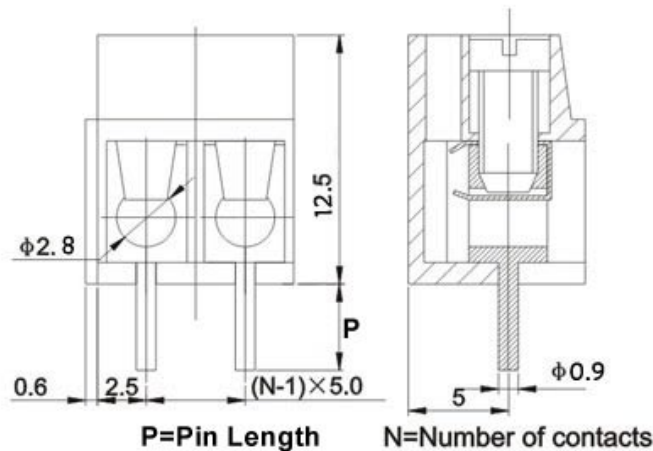
How to order:

YC550V - xxx - xx x xx

Series | Pin Length:  
 500 = 5.0mm | 35 = 3.5mm  
 100 = 10.0mm | 42 = 4.2mm

Pitch: | Color:  
 500 = 5.0mm | E = Grey  
 100 = 10.0mm | B = Blue  
 Number of Poles: | K = Black  
 02, 03, 04, ... | G = Green

**Dimensions:(Units: mm)**



Pitch:5mm,10mm