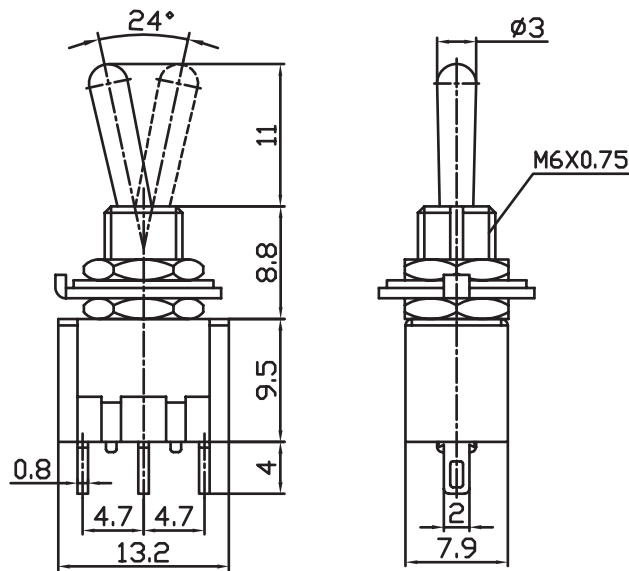


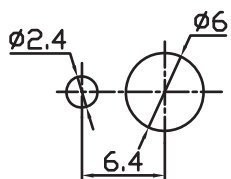
SPECIFICATIONS:

- Rating: 6A 125V, 3A 250V
- Contact Resistance: 20mΩ max.
- Insulation Resistance: 500V DC, 1000MΩ
- Dielectric Strength: 1 Minute 1500V AC
- Operating Temperature: -25 to +85°C
- Electrical Life: 50,000 Cycles

DIMENSIONS (Units: mm):



MOUNTING (Units: mm):



CIRCUITRY:

