



RMU Series

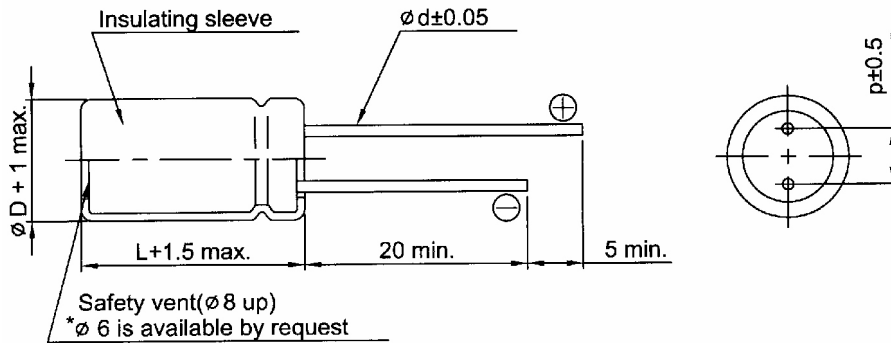
105°C, Standard, Radial Leads

- High Temperature Radial Type, 105°C, 2000 hours assured Load Life
- Applications: Communications equipment, switching regulators, and industrial applications

Characteristics

Voltage Range	6.3 to 100 VDC	160 to 450 VDC							
Capacitance Range	0.47 to 22,000μF	0.47 to 1,000μF							
Temperature Range	-40 to +105°C	-25 to +105°C							
Capacitance Tolerance	±20% at 120Hz, 20°C (10% Tol. is available upon request)								
Leakage Current	$I \leq 0.01CV$ or $3\mu A$, whichever is greater 3 minutes after Rated Voltage is applied	$I \leq 0.03CV$ or $3\mu A$, whichever is greater 3 minutes after Rated Voltage is applied							
Dissipation Factor (tan δ) Max.	Rated Voltage (V)	6.3	10	16	25	35	50	63	100
	D.F. (tan δ)	0.22	0.20	0.16	0.14	0.12	0.10	0.09	0.08
	Rated Voltage (V)	160	200	250	350	400	450		
	D.F. (tan δ)	0.12	0.14	0.17	0.20	0.25	0.25		
When the capacitance exceeds 1,000μF, 0.02 shall be added every 1,000μF increase.									
Stability at Low Temperature (at 120Hz)	Impedance ratio shall not exceed the values given in the table below.								
	Rated Voltage (V)	6.3	10	16	25-63	160-200	250	350	400-450
	Z(-25°C) / Z(+20°C)	4	3	2	2	2	3	5	6
	Z(-40°C) / Z(+20°C)	8	6	4	3	-	-	-	-
Load Life	After the rated voltage has been applied for 2,000 hours at 105°C		Capacitance Change	Within ±20% of initial value					
			D.F. (tan δ)	150% or less of initial specified value					
			Leakage Current	less than initial specified value					
Shelf Life	After storage for 500 hours at 105°C, with no voltage applied and being stabilized at +20°C, Capacitor shall meet the limit specified in load life.								

Dimensions (Units:mm)



DØ	5.0	6.3	8.0	10	13	16	18	22
p	2.0	2.5	3.5	5.0	5.0	7.5	7.5	10
dØ	0.5	0.5	0.5	0.6	0.6	0.8	0.8	0.8

Ripple Current Coefficient

Frequency (Hz)	50 (60)	120	400	1K	10K	100K
Cap. (μF) / Hz	Multiplier					
Cap. ≤ 10	0.8	1	1.30	1.45	1.65	1.70
10 < Cap. ≤ 100	0.8	1	1.23	1.36	1.48	1.53
100 < Cap. ≤ 1000	0.8	1	1.16	1.25	1.35	1.38
1000 < Cap.	0.8	1	1.11	1.17	1.25	1.28

