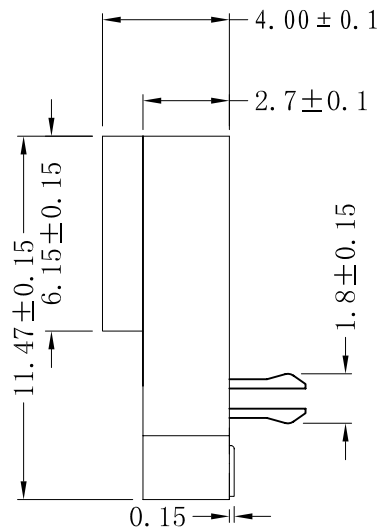
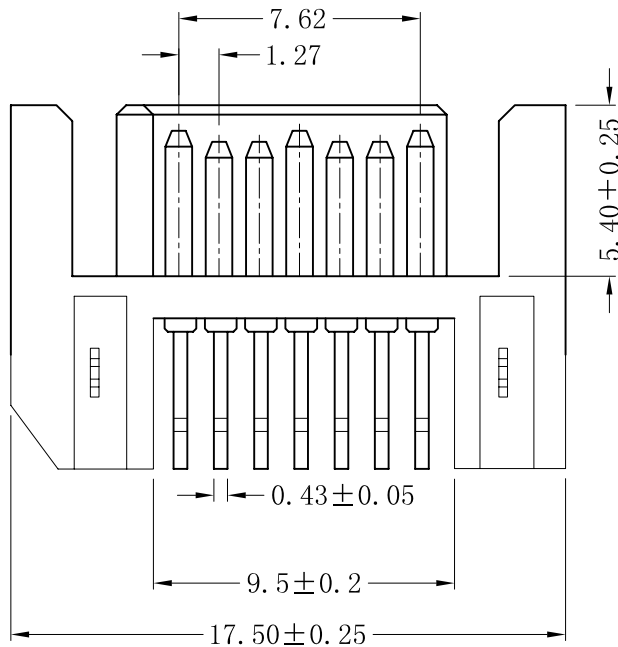
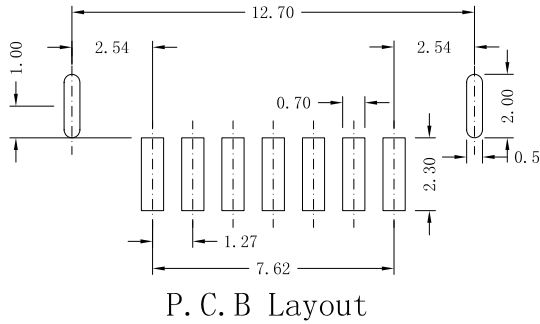
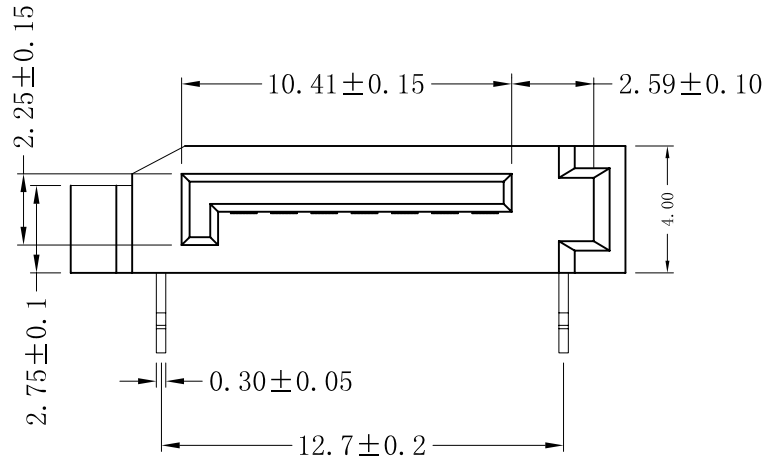


PCSATA-7P



Specifications

Current Rating: 1.0A / Contact Max.
 Contact Resistance: $\leq 20\text{m}\Omega$ / Contact
 Insulation Resistance: $\geq 1000\text{M}\Omega$ at $V=100\text{V}$
 Withstand Voltage: 300V AC / Minute
 Operating Temperature: Gold Plated: -55°C to $+105^\circ\text{C}$
 Insulator: Black Polyester, UL94V-0
 Standard: LCP
 Contact: Brass

Part Number

PCSATA-7P

General Tolerance	
X. ± 0.50	X. $^\circ \pm 5^\circ$
.X ± 0.20	.X $^\circ \pm 2^\circ$
.XX ± 0.10	.XX $^\circ \pm 1^\circ$
Units : mm	