

Specifications

Material

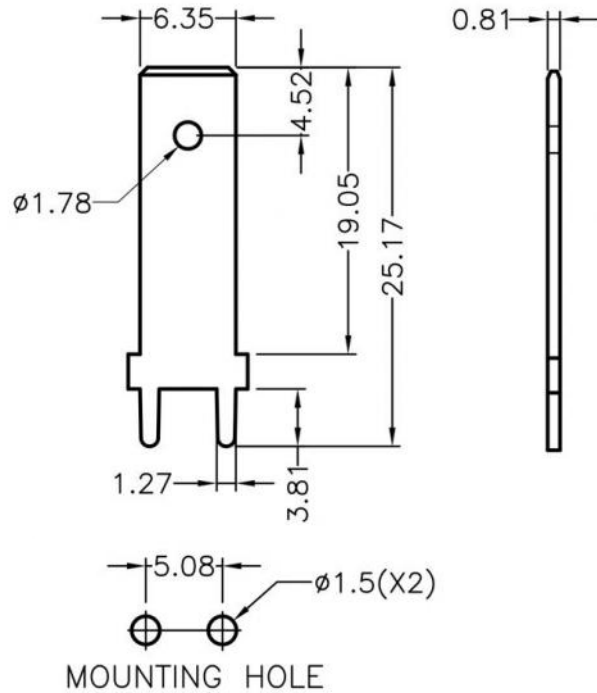
Contact: Bras
Plated: Tin
Thickness: 0.81mm
Mounting Holes: 1.50mm

Features

Vertical Configuration Type Terminal
Offers Quick Connecting & Disconnecting of Female Terminals

Part Number

PCK-1292



Units: mm

General Tolerance	
X. ± 0.50	X.° $\pm 5^\circ$
.X ± 0.20	.X° $\pm 2^\circ$
.XX ± 0.10	.XX° $\pm 1^\circ$
Units : mm	