

Specifications

Rating: 3A, 12VDC

Withstanding Voltage: AC 500V, 60Hz for 1 minute

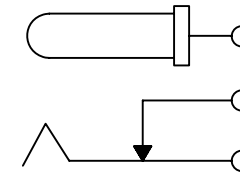
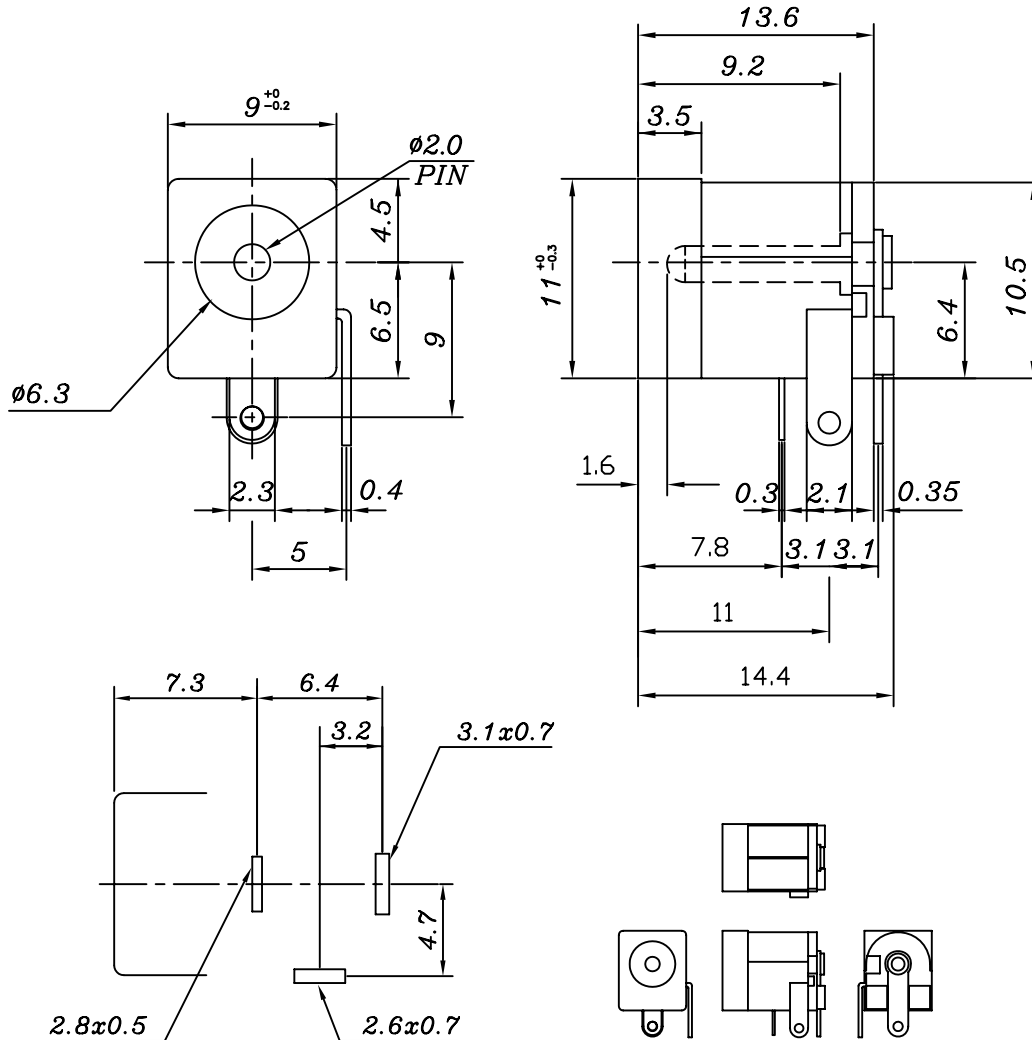
Insulation Resistance: 100M ohm min. at 500V DC

Contact Resistance: 30m ohm max. at AC 100mA max. 1KHz

Insertion & Extraction Force: Initial: 0.3 to 3.0Kgs

After Life Test: 0.2 to 3.0Kgs

Life Test: (20-30 cycle/minute): 5000 cycles unloading



SCHEMATIC

PIERCING PLAN

General Tolerance	
X. ± 0.50	X. [°] $\pm 5^\circ$
.X ± 0.20	.X [°] $\pm 2^\circ$
.XX ± 0.10	.XX [°] $\pm 1^\circ$
Units : mm	