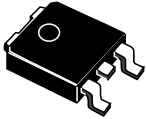
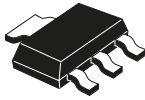


Medium current 1.2 to 37 V adjustable voltage regulator



DPAK



SOT223

Features

- Output voltage range: 1.2 to 37 V
- Output current in excess of 500 mA
- Line regulation typ. 0.01%
- Load regulation typ. 0.1%
- Thermal overload protection
- Short-circuit protection
- Output transition safe area compensation
- Floating operation for high voltage applications

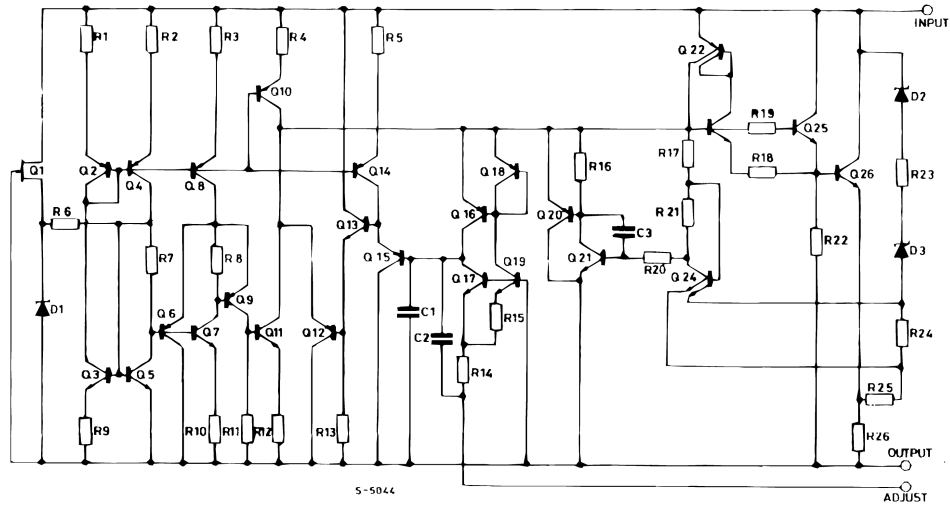
Description

The LM217M and LM317M are monolithic integrated circuits in DPAK and SOT223 packages used as positive adjustable voltage regulators. They are designed to supply until 500 mA of load current with an output voltage adjustable over a 1.2 to 37 V range. The nominal output voltage is selected by one resistive divider only, making the device exceptionally easy to configure and avoiding the use of several fixed regulators.

Product status link
LM217M
LM317M

1 Diagram

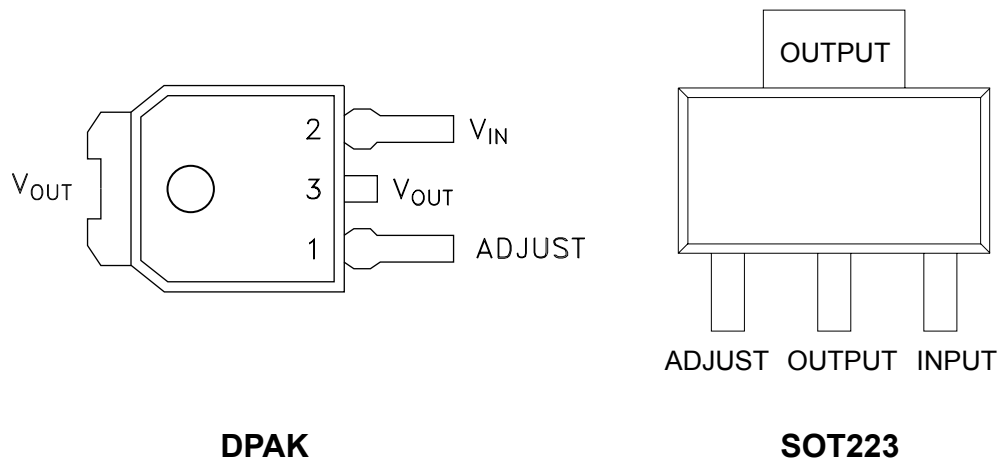
Figure 1. Schematic diagram



GIPG250220151152

2 Pin configuration

Figure 2. Pin connections (top view)



3 Maximum ratings

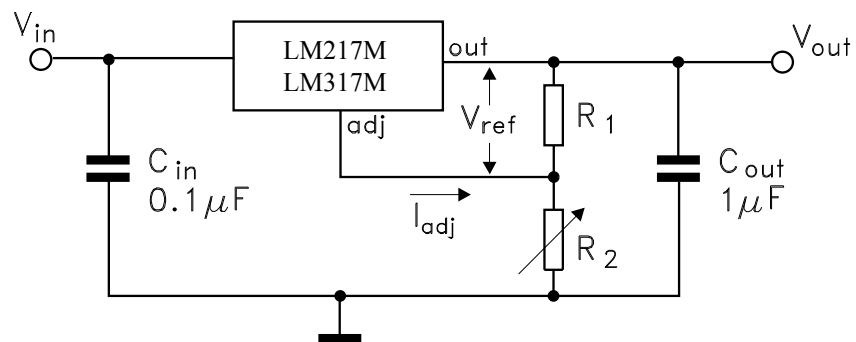
Table 1. Absolute maximum ratings

Symbol	Parameter	Value	Unit
V_I-V_O	Input-to-output differential voltage	40	V
P_D	Power dissipation	Internally limited	mW
T_{OP}	Operating junction temperature range ⁽¹⁾	LM217M	-40 to 125
		LM317M	0 to 125
T_{STG}	Storage temperature range	-55 to 150	°C

1. Reboot is not guaranteed for $T_J \geq 85$ °C.

Table 2. Thermal data

Symbol	Parameter	DPAK	SOT223	Unit
R_{thJC}	Thermal resistance junction-case	8	15	°C/W
R_{thJA}	Thermal resistance junction-ambient	100	110	°C/W

Figure 3. Test circuit


4 Electrical characteristics

Table 3. LM217M electrical characteristics (refer to the test circuits, $T_J = -40$ to 125 °C, $V_I - V_O = 5$ V, $I_O = 100$ mA, $P_D \leq 7.5$ W, unless otherwise specified).

Symbol	Parameter	Test conditions		Min.	Typ.	Max.	Unit
ΔV_O	Line regulation	$V_I - V_O = 3$ to 40 V	$T_J = 25$ °C		0.01	0.02	%V
					0.02	0.05	
ΔV_O	Load regulation	$V_O \leq 5$ V $I_O = 10$ to 500 mA	$T_J = 25$ °C		5	15	mV
					20	50	
		$V_O \geq 5$ V $I_O = 10$ to 500 mA	$T_J = 25$ °C		0.1	0.3	%V _O
					0.3	1	
I_{ADJ}	Adjustment pin current			50	100	μ A	
ΔI_{ADJ}	Adjustment pin current	$V_I - V_O = 3$ to 40 V, $I_O = 10$ to 500 mA			0.2	5	μ A
V_{REF}	Reference voltage	$V_I - V_O = 3$ to 40 V, $I_O = 10$ to 500 mA		1.2	1.25	1.3	V
$\Delta V_O/V_O$	Output voltage temperature stability				0.7		%
$I_{O(min)}$	Minimum load current	$V_I - V_O = 40$ V			3.5	5	mA
$I_{O(max)}$	Maximum output current	$V_I - V_O \leq 15$ V		500	1000		mA
		$V_I - V_O = 40$ V, $P_d < P_{DMAX}$, $T_J = 25$ °C			200		
eN	Output noise voltage (percentage of V_O)	B = 10 Hz to 100 kHz, $T_J = 25$ °C			0.003		%
SVR	Supply voltage rejection ⁽¹⁾	$T_J = 25$ °C f = 120 Hz	$C_{ADJ} = 0$		65		dB
			$C_{ADJ} = 10$ μ F	66	80		

1. C_{ADJ} is connected between the adjustment pin and ground.

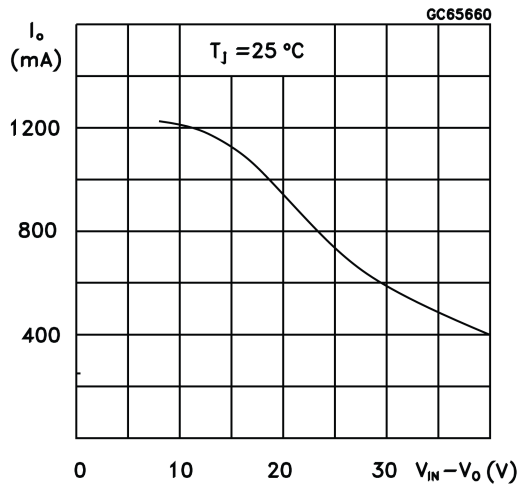
Table 4. LM317M electrical characteristics (refer to the test circuits, $T_J = 0$ to $125\text{ }^\circ\text{C}$, $V_I - V_O = 5\text{ V}$, $I_O = 100\text{ mA}$, $P_D \leq 7.5\text{ W}$, unless otherwise specified).

Symbol	Parameter	Test conditions		Min.	Typ.	Max.	Unit
ΔV_O	Line regulation	$V_I - V_O = 3$ to 40 V	$T_J = 25\text{ }^\circ\text{C}$		0.01	0.04	%V
					0.02	0.07	
ΔV_O	Load regulation	$V_O \leq 5\text{ V}$ $I_O = 10$ to 500 mA	$T_J = 25\text{ }^\circ\text{C}$		5	25	mV
					20	70	
		$V_O \geq 5\text{ V}$ $I_O = 10$ to 500 mA	$T_J = 25\text{ }^\circ\text{C}$		0.1	0.5	%V _O
					0.3	1.5	
I_{ADJ}	Adjustment pin current			50	100	μA	
ΔI_{ADJ}	Adjustment pin current	$V_I - V_O = 3$ to 40 V , $I_O = 10$ to 500 mA			0.2	5	μA
V_{REF}	Reference voltage	$V_I - V_O = 3$ to 40 V , $I_O = 10$ to 500 mA		1.2	1.25	1.3	V
$\Delta V_O/V_O$	Output voltage temperature stability				0.7		%
$I_{O(\min)}$	Minimum load current	$V_I - V_O = 40\text{ V}$			3.5	10	mA
$I_{O(\max)}$	Maximum output current	$V_I - V_O \leq 15\text{ V}$		500	1000		mA
		$V_I - V_O = 40\text{ V}$, $P_d < P_{D\text{MAX}}$, $T_J = 25\text{ }^\circ\text{C}$			200		
eN	Output noise voltage (V_O percentage)	B = 10 Hz to 100 kHz, $T_J = 25\text{ }^\circ\text{C}$			0.003		%
SVR	Supply voltage rejection ⁽¹⁾	$T_J = 25\text{ }^\circ\text{C}$ $f = 120\text{ Hz}$	$C_{ADJ} = 0$		65		dB
			$C_{ADJ} = 10\text{ }\mu\text{F}$	66	80		

1. C_{ADJ} is connected between the adjustment pin and ground.

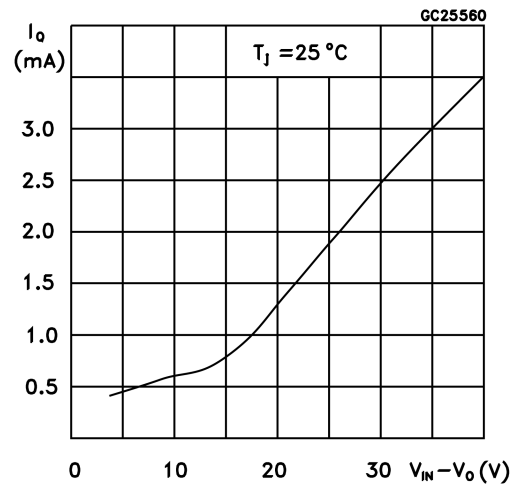
5 Typical performance

Figure 4. Current limit



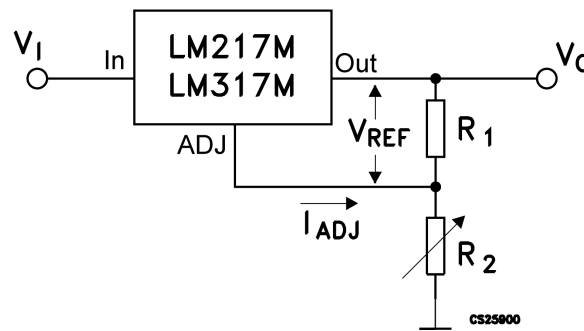
GIPG250220151218MT

Figure 5. Minimum operating current



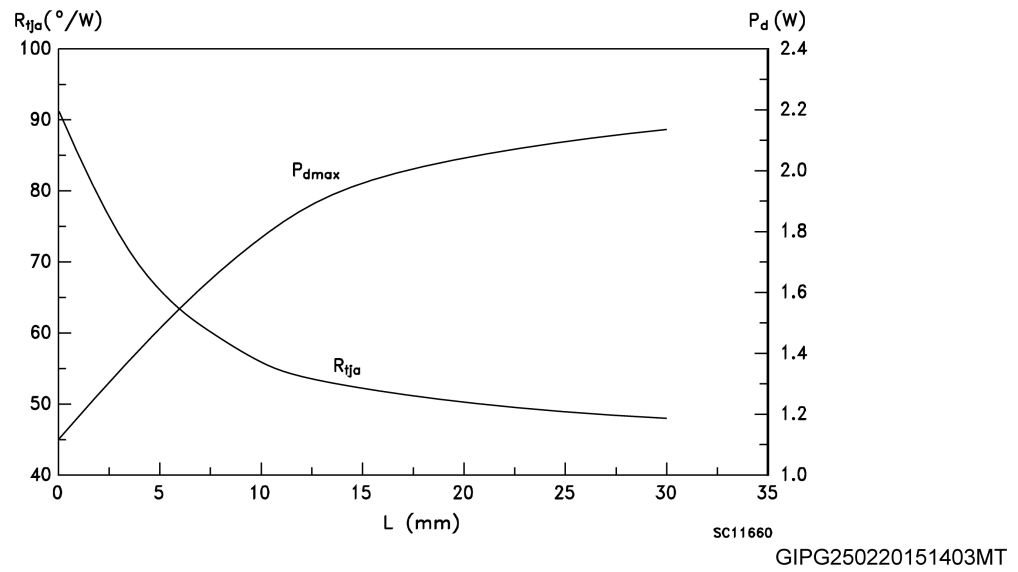
GIPG250220151350MT

Figure 6. Basic adjustable regulator



GIPG250220151358MT

Figure 7. Thermal resistance and maximum power dissipation vs. PCB copper length for DPAK



Note: P_{dmax} calculated for $T_a = 50\text{ }^{\circ}\text{C}$.

6 Application information

The LM217M and LM317M provide an internal reference voltage (1.25 V) between the output and adjustment terminals. These devices set a constant current flow across an external resistor divider (see [Figure 6. Basic adjustable regulator](#)), giving the following output voltage:

Equation 1

$$V_O = V_{REF} (1 + R_2 / R_1) + I_{ADJ} R_2$$

These devices minimize the term I_{ADJ} (100 μ A max.) and keep it constant with line and load changes. Usually, the error terms: $I_{ADJ} \times R_2$ can be neglected. To obtain the previous requirement, the regulator quiescent current is returned to the output terminal, imposing a minimum load current condition. If the load is insufficient, the output voltage rises.

Since the LM217M and LM317M devices are floating regulators and only “see” the input-to-output differential voltage, high voltage supplies can be regulated as long as the maximum input-to-output differential is not exceeded. Furthermore, programmable regulators are easily obtained and, by connecting a fixed resistor between the adjustment and output, the devices can be used as precision current regulators. In order to optimize the load regulation, R_1 , the current set resistor (see [Figure 6. Basic adjustable regulator](#)) should be as close as possible to the regulator, while R_2 , the ground terminal should be near the ground of the load to provide remote ground sensing.

6.1 External capacitors

Usually, capacitors are not necessary unless the devices are far from the input filter capacitors; in this case an input bypass is needed.

To reduce the sensitivity to input line impedance, a 0.1 μ F disc or 1 μ F tantalum input bypass capacitor (C_I) is recommended.

The adjustment terminal may be bypassed to ground to improve ripple rejection. This capacitor (C_{ADJ}) avoids the amplification of ripple as the output voltage rises. A 10 μ F capacitor should improve ripple rejection about 80 dB at 120 Hz in a 10 V application.

Although the devices are stable without any output capacitors, some external capacitance values can cause excessive ringing. A 1 μ F solid tantalum or 25 μ F aluminum electrolytic output capacitor swamps this effect and assures stability.

6.2 Protection diodes

When external capacitors are used with any IC regulator, sometimes some protection diodes have to be added to prevent the capacitors from discharging through low current points into the regulator.

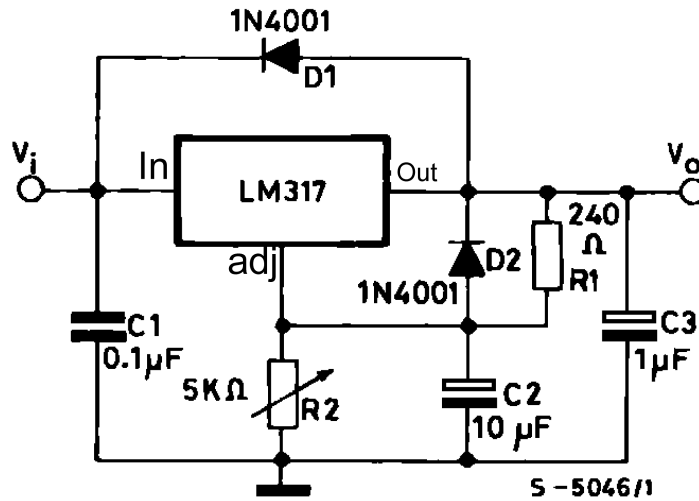
[Figure 8. Voltage regulator with protection diodes](#) shows the devices with the recommended protection diodes for output voltages in excess of 25 V or high capacitance values ($C_3 > 25 \mu$ F, $C_2 > 10 \mu$ F). Diode D1 prevents C_3 from discharging through the IC during an input short-circuit. The combination of diodes D1 and D2 prevents C_2 from discharging through the regulator during an input or output short-circuit.

6.3 Start-up block

Reboot of the device is not guaranteed when the junction temperature is over 85 °C.

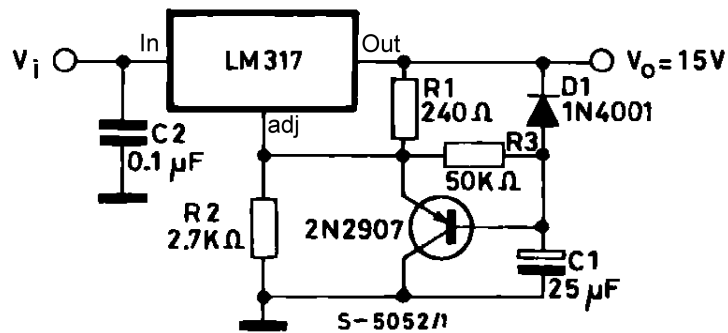
7 Application circuits

Figure 8. Voltage regulator with protection diodes



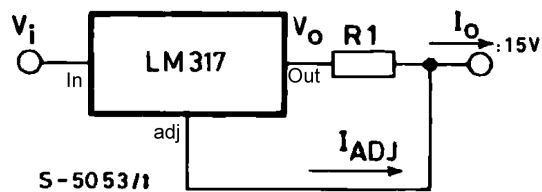
GIPG250220151410MT

Figure 9. Slow turn-on 15 V regulator



GIPG250220151414MT

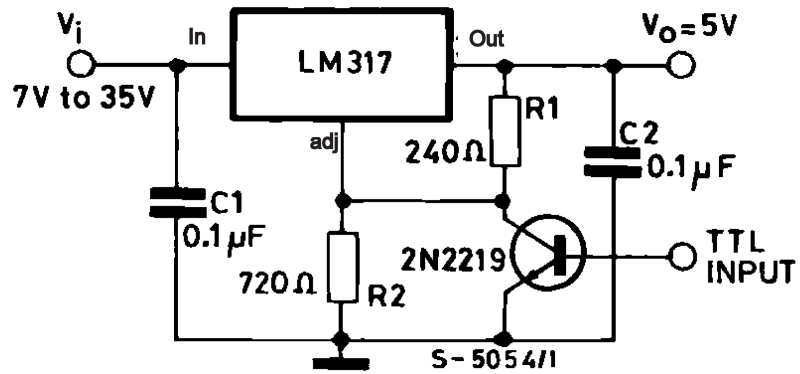
Figure 10. Current regulator



$$I_o = V_{REF} / R_1 + I_{ADJ} = 1.25 \text{ V} / R_1$$

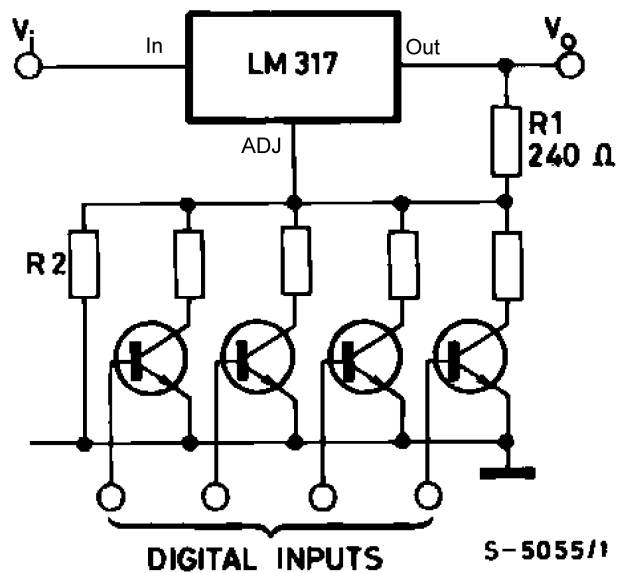
GIPG250220151417MT

Figure 11. 5 V electronic shutdown regulator



GIPG250220151421MT

Figure 12. Digitally selected outputs



(R2 sets maximum V_o)

GIPG250220151429MT

8 Device summary

Table 5. Device summary

Order code	Packing
LM217MDT-TR	DPAK
LM317MDT-TR	DPAK
LM217MS-TR	SOT223
LM317MS-TR	SOT223

9 Package information

In order to meet environmental requirements, ST offers these devices in different grades of **ECOPACK** packages, depending on their level of environmental compliance. ECOPACK specifications, grade definitions and product status are available at: www.st.com. ECOPACK is an ST trademark.

9.1 DPAK (TO-252) package information

Table 6. DPAK (TO-252) mechanical data (type A)

Dim.	mm		
	Min.	Typ.	Max.
A	2.20		2.40
A1	0.90		1.10
A2	0.03		0.23
b	0.64		0.90
b4	5.20		5.40
c	0.45		0.60
c2	0.48		0.60
D	6.00		6.20
D1	4.95	5.10	5.25
E	6.40		6.60
E1	4.60	4.70	4.80
e	2.159	2.286	2.143
e1	4.445	4.572	4.699
H	9.35		10.10
L	1.00		1.50
L1	2.60	2.80	3.00
L2	0.65	0.80	0.95
L4	0.60		1.00
R		0.20	
V2	0°		8°

Figure 13. DPAK (TO-252) package outline A

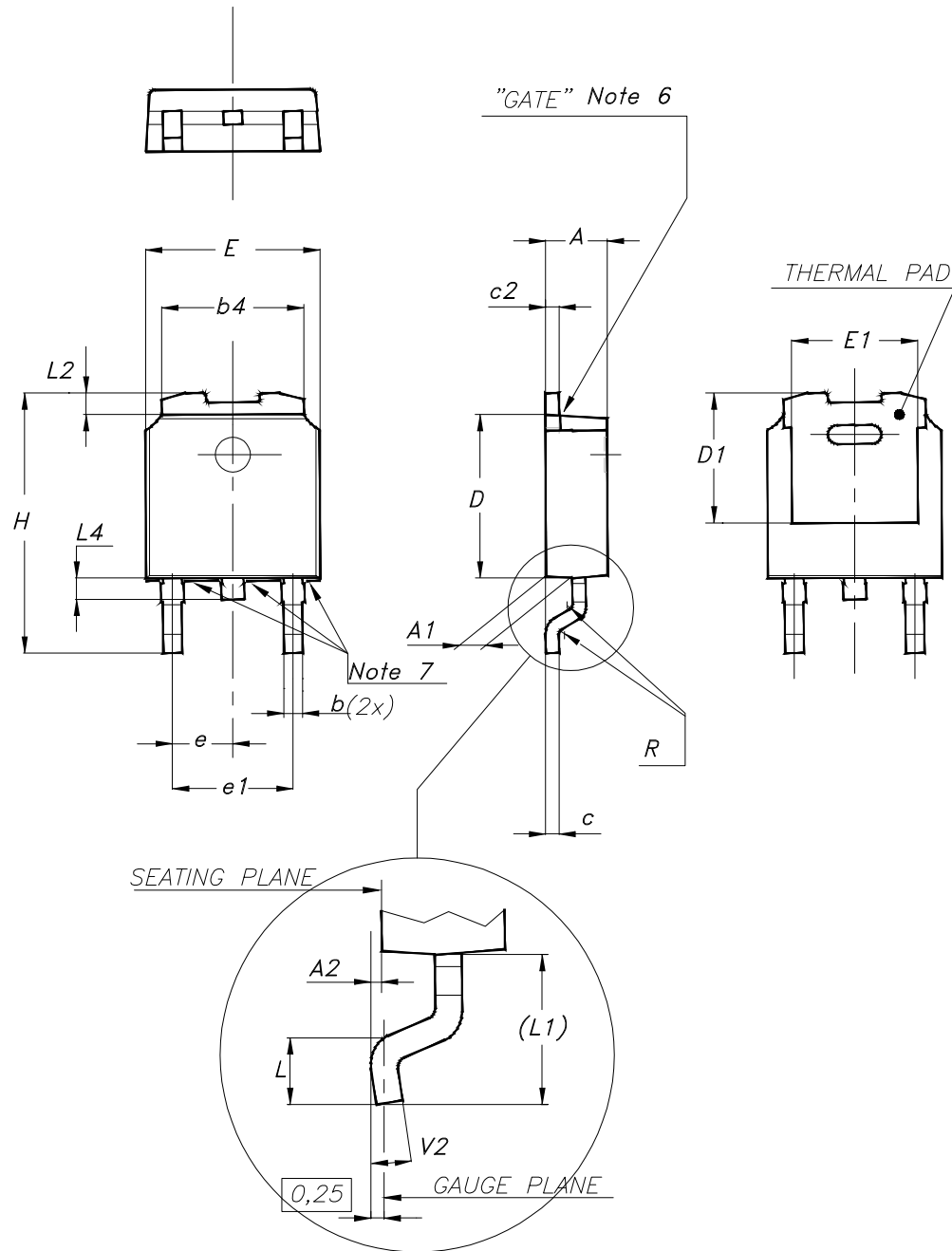


Table 7. DPAK(TO-252) mechanical data (type E)

Dim.	mm		
	Min.	Typ.	Max.
A	2.18		2.39
A2			0.13
b	0.65		0.884
b4	4.95		5.46
c	0.46		0.61
c2	0.46		0.60
D	5.97		6.22
D1	5.21		
E	6.35		6.73
E1	4.32		
e		2.286	
e1		4.572	
H	9.94		10.34
L	1.50		1.78
L1		2.74	
L2	0.89		1.27
L4			1.02

Figure 14. DPAK (TO-252) package outline E

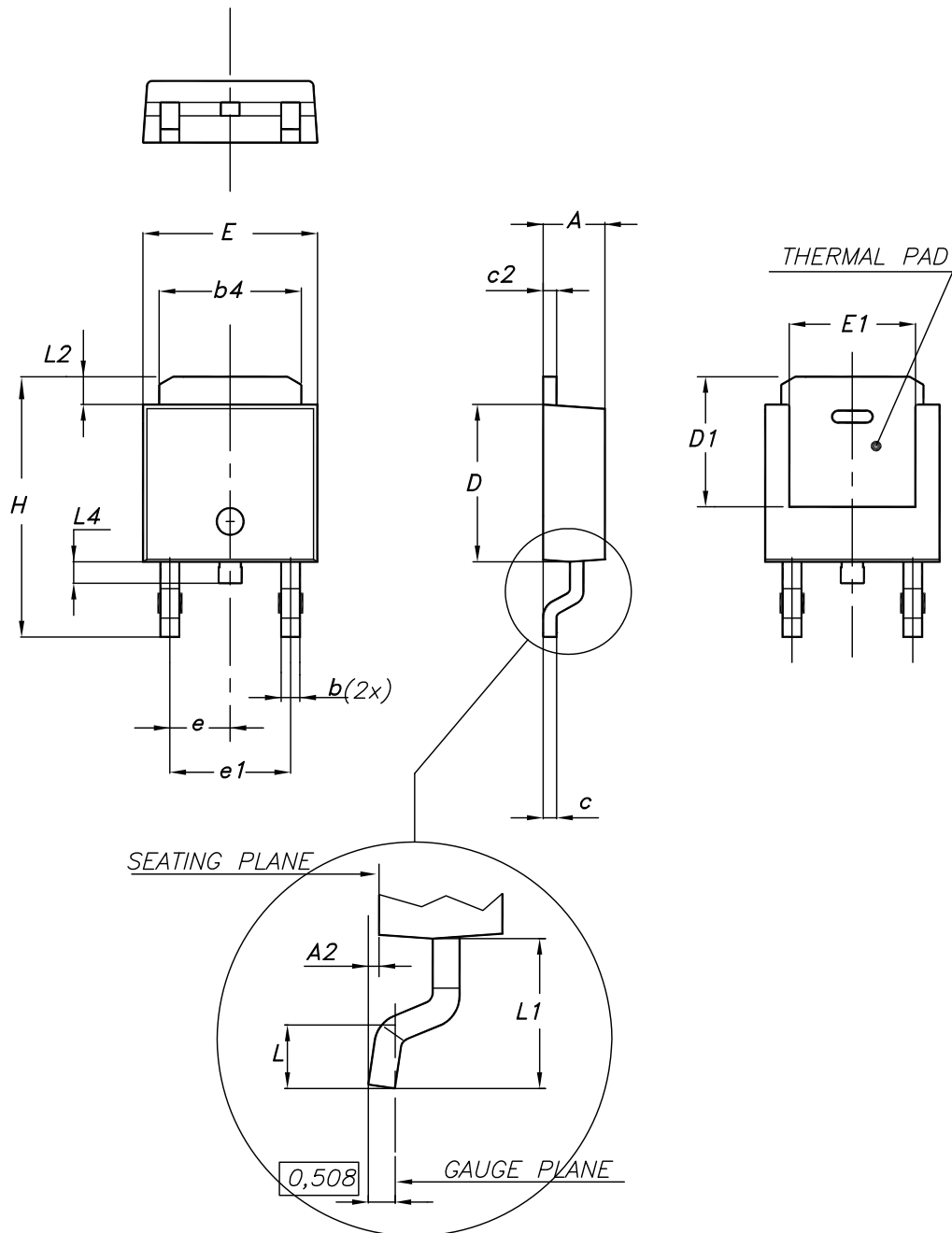


Table 8. DPAK (TO-252) mechanical data type I

Dim.	mm		
	Min.	Typ.	Max.
A	2.20	2.30	2.38
A1	0.90	1.01	1.10
A2	0.00	-	0.10
b	0.77	-	0.89
b1	0.76	0.81	0.86
b2	0.77	-	1.10
b3	5.23	5.33	5.43
c	0.47	-	0.60
c1	0.46	0.51	0.56
c2	0.47	-	0.60
D	6.00	6.10	6.20
D1	5.25	5.40	5.60
E	6.50	6.60	6.70
E1	4.70	4.85	5.00
e	2.286 BSC		
H	9.80	10.10	10.40
L	1.40	1.50	1.70
L1	2.90 REF		
L2	0.90	-	1.25
L3	0.51 BSC		
L4	0.60	0.80	1.00
L5	0.90	-	1.50
L6	1.80 BSC		
Θ	0°	-	8°
Θ1	3°	5°	7°
Θ2	1°	3°	5°

Figure 15. DPAK (TO-252) package outline I

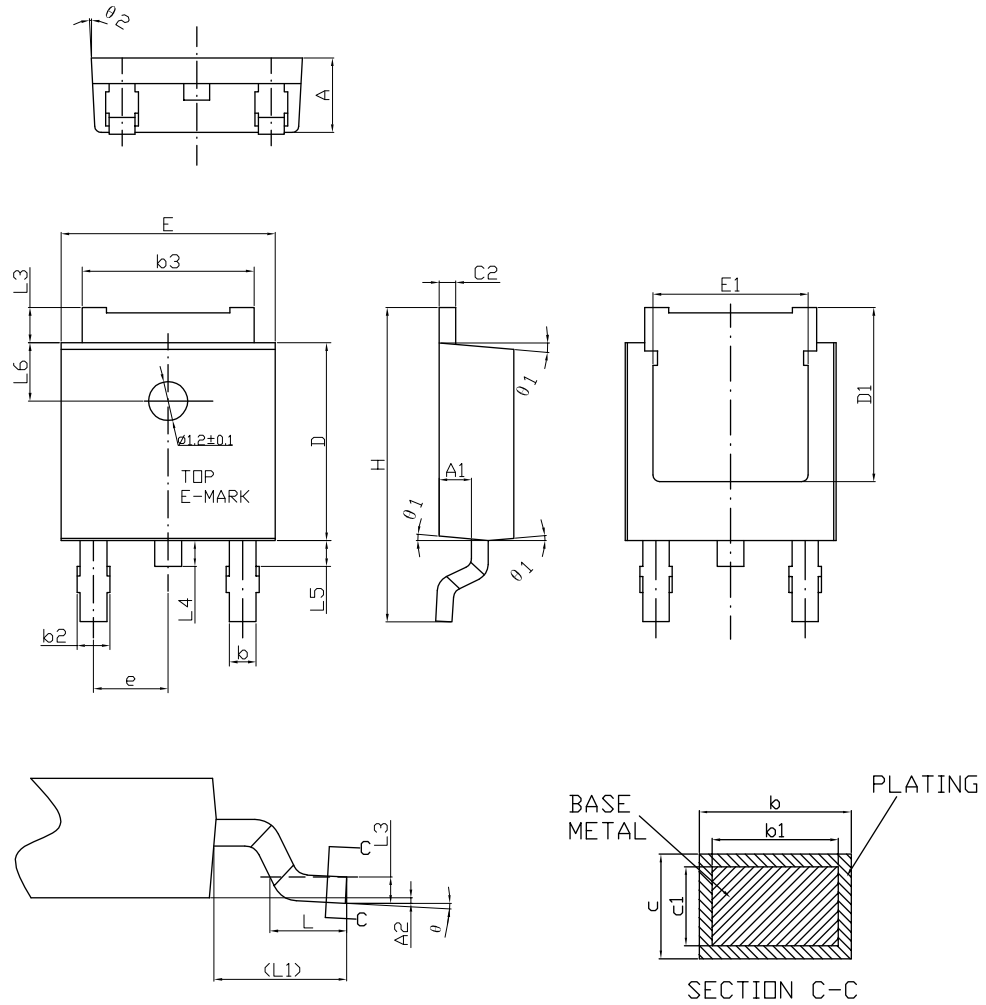
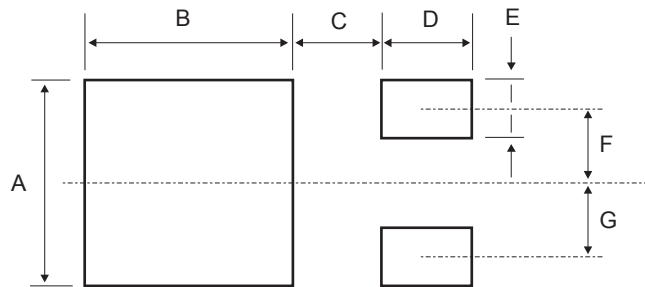


Table 9. DPAK footprint data

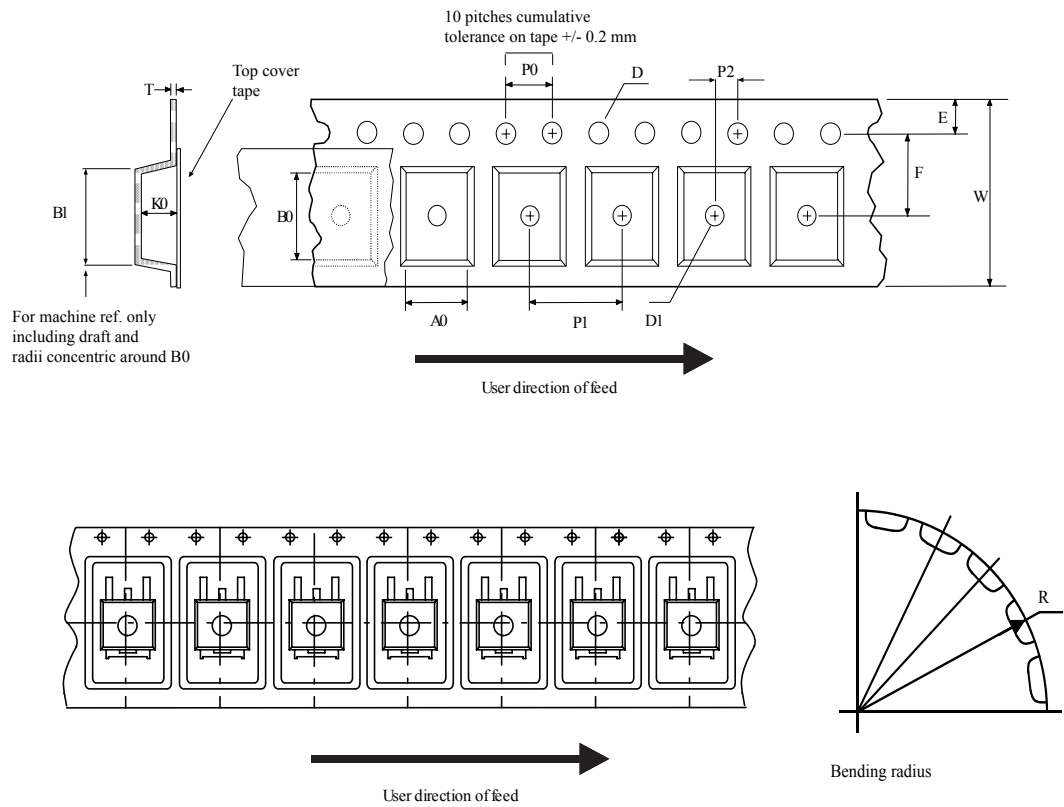
	Values	
	mm.	inch.
A	6.70	0.264
B	6.70	0.64
C	1.80	0.070
D	3.00	0.118
E	1.60	0.063
F	2.30	0.091
G	2.30	0.091

Figure 16. DPAK footprint recommended data



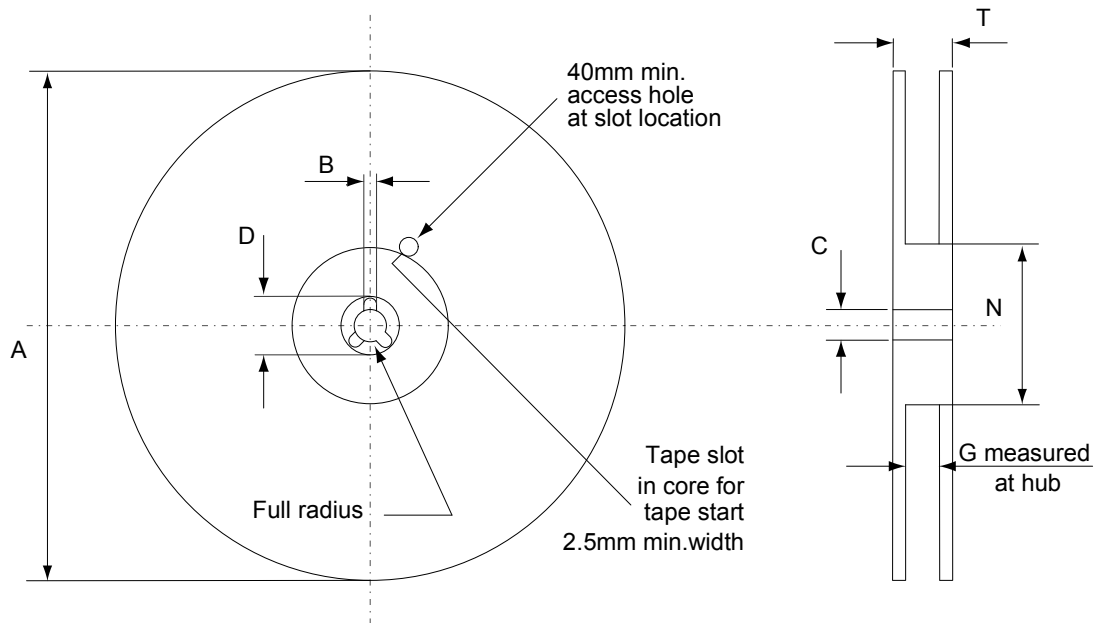
9.2 DPAK (TO-252) packing information

Figure 17. DPAK (TO-252) tape outline



AM08852v1

Figure 18. DPAK (TO-252) reel outline



AM06038v1

Table 10. DPAK (TO-252) tape and reel mechanical data

Dim.	Tape		Dim.	Reel	
	mm			mm	
	Min.	Max.		Min.	Max.
A0	6.8	7	A		330
B0	10.4	10.6	B	1.5	
B1		12.1	C	12.8	13.2
D	1.5	1.6	D	20.2	
D1	1.5		G	16.4	18.4
E	1.65	1.85	N	50	
F	7.4	7.6	T		22.4
K0	2.55	2.75			
P0	3.9	4.1		Base qty.	2500
P1	7.9	8.1		Bulk qty.	2500
P2	1.9	2.1			
R	40				
T	0.25	0.35			
W	15.7	16.3			

9.3 SOT223 package information

Figure 19. SOT223 package outline

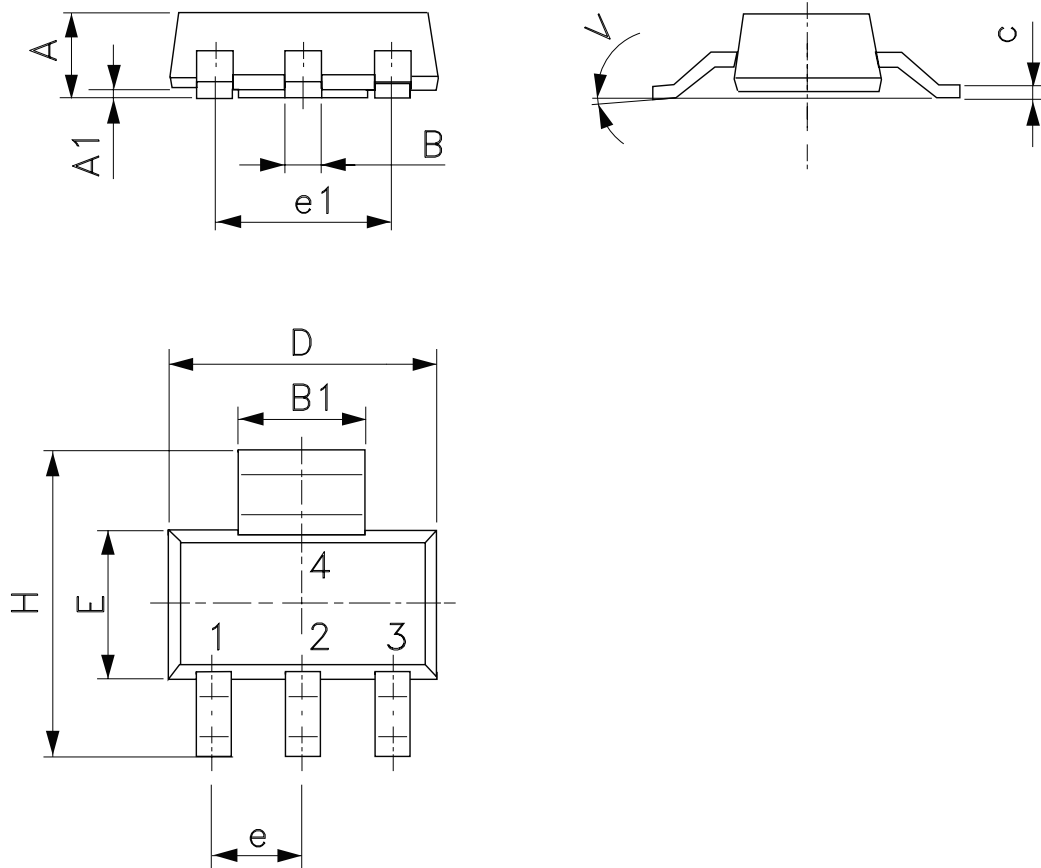


Table 11. SOT223 mechanical data

Dim.	mm		
	Min.	Typ.	Max.
A			1.8
A1	0.02		0.1
B	0.6	0.7	0.85
B1	2.9	3	3.15
c	0.24	0.26	0.35
D	6.3	6.5	6.7
e		2.3	
e1		4.6	
E	3.3	3.5	3.7
H	6.7	7.0	7.3
V			10°

9.4 SOT223 packing information

Table 12. SOT223 tape and reel mechanical data

Tape				Reel		
Dim.	mm			Dim.	mm	
	Min.	Typ.	Max.		Min.	Max.
A0	6.75	6.85	6.95	A		180
B0	7.30	7.40	7.50	N	60	
K0	1.80	1.90	2.00	W1		12.4
F	5.40	5.50	5.60	W2		18.4
E	1.65	1.75	1.85	W3	11.9	15.4
W	11.7	12	12.3			
P2	1.90	2	2.10	Base quantity pcs		1000
P0	3.90	4	4.10	Bulk quantity pcs		1000
P1	7.90	8	8.10			
T	0.25	0.30	0.35			
D	1.50	1.55	1.60			
D1	1.50	1.60	1.70			

Figure 20. Tape for SOT223 (dimensions are in mm)

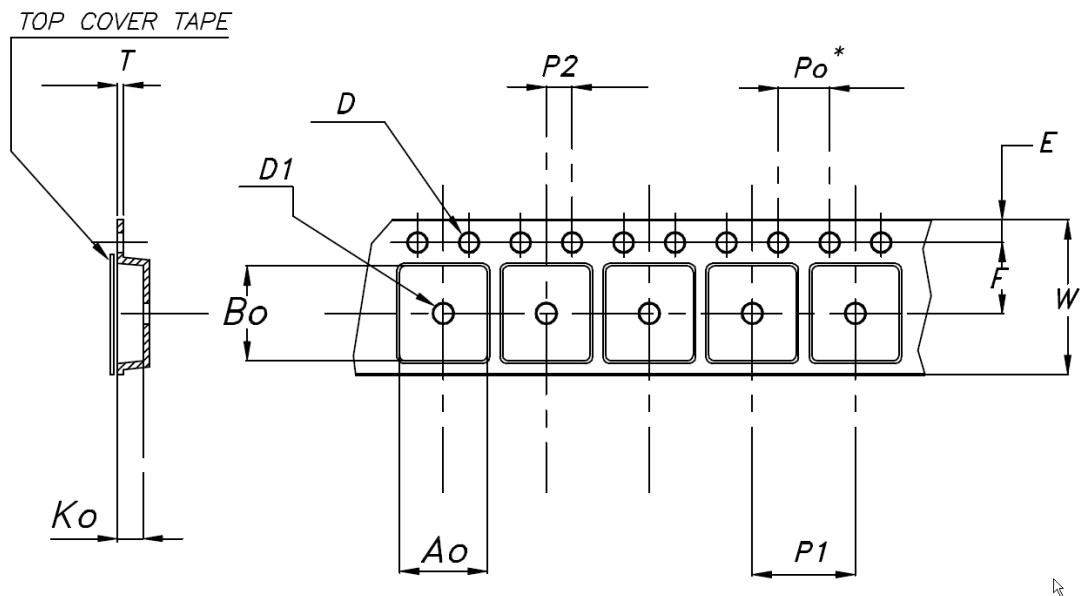


Figure 21. Reel for SOT223 (dimensions are in mm)

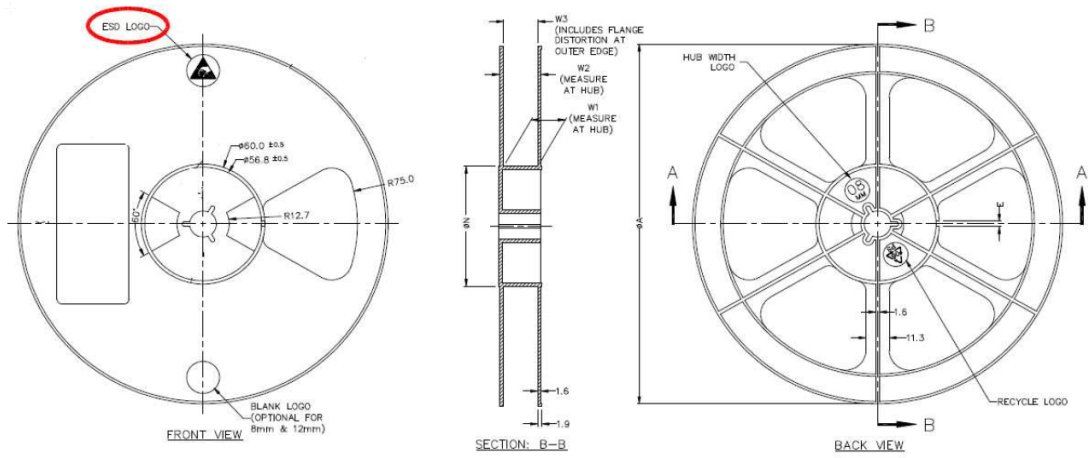
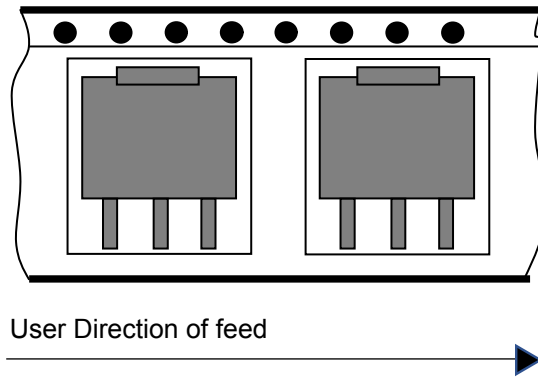


Figure 22. SOT223 reel oriented



Revision history

Table 13. Document revision history

Date	Revision	Changes
21-Jun-2004	5	The document has been reformatted.
06-Dec-2006	6	DPAK mechanical data updated, added footprint data.
11-Feb-2008	7	Added: Table 1 on page 1.
07-Jul-2014	8	Updated Table 1: Device summary. Updated Section 8.1: TO-220 and Section 8.2: DPAK. Updated Figure 3, Figure 6, Figure 8, Figure 9, Figure 10, Figure 11, Figure 12. Minor text changes.
16- Oct-2015	9	Removed TO-220 package. Updated description in cover page, Table 1: "Device summary", Figure 2: "Pin connections (top view)", Table 3: "Thermal data" and Section 8: "Package information". Minor text changes.
19-Jun-2019	10	Updated Section 9.1 DPAK (TO-252) package information.
26-Nov-2019	11	Updated Section 9.1 DPAK (TO-252) package information.
23-Nov-2021	12	Added new package SOT223 on the cover page, Section 9.3 SOT223 package information and Section 9.4 SOT223 packing information Updated Table 5. Device summary .

Contents

1	Diagram	2
2	Pin configuration	3
3	Maximum ratings	4
4	Electrical characteristics	5
5	Typical performance	7
6	Application information	9
6.1	External capacitors	9
6.2	Protection diodes	9
6.3	Start-up block	9
7	Application circuits	10
8	Device summary	12
9	Package information	13
9.1	DPAK (TO-252) package information	13
9.2	DPAK (TO-252) packing information	19
9.3	SOT223 package information	21
9.4	SOT223 packing information	22
	Revision history	24
	Contents	25
	List of tables	26
	List of figures	27

List of tables

Table 1.	Absolute maximum ratings	4
Table 2.	Thermal data	4
Table 3.	LM217M electrical characteristics (refer to the test circuits, $T_J = -40$ to 125 °C, $V_I - V_O = 5$ V, $I_O = 100$ mA, $P_D \leq 7.5$ Ω, unless otherwise specified).	5
Table 4.	LM317M electrical characteristics (refer to the test circuits, $T_J = 0$ to 125 °C, $V_I - V_O = 5$ V, $I_O = 100$ mA, $P_D \leq 7.5$ Ω, unless otherwise specified).	6
Table 5.	Device summary	12
Table 6.	DPAK (TO-252) mechanical data (type A)	13
Table 7.	DPAK(TO-252) mechanical data (type E)	15
Table 8.	DPAK (TO-252) mechanical data type I	17
Table 9.	DPAK footprint data	18
Table 10.	DPAK (TO-252) tape and reel mechanical data	20
Table 11.	SOT223 mechanical data	21
Table 12.	SOT223 tape and reel mechanical data	22
Table 13.	Document revision history	24

List of figures

Figure 1.	Schematic diagram	2
Figure 2.	Pin connections (top view)	3
Figure 3.	Test circuit	4
Figure 4.	Current limit	7
Figure 5.	Minimum operating current.	7
Figure 6.	Basic adjustable regulator	7
Figure 7.	Thermal resistance and maximum power dissipation vs. PCB copper length for DPAK	8
Figure 8.	Voltage regulator with protection diodes	10
Figure 9.	Slow turn-on 15 V regulator	10
Figure 10.	Current regulator	10
Figure 11.	5 V electronic shutdown regulator	11
Figure 12.	Digitally selected outputs	11
Figure 13.	DPAK (TO-252) package outline A	14
Figure 14.	DPAK (TO-252) package outline E	16
Figure 15.	DPAK (TO-252) package outline I	18
Figure 16.	DPAK footprint recommended data	19
Figure 17.	DPAK (TO-252) tape outline	19
Figure 18.	DPAK (TO-252) reel outline	20
Figure 19.	SOT223 package outline	21
Figure 20.	Tape for SOT223 (dimensions are in mm)	22
Figure 21.	Reel for SOT223 (dimensions are in mm).	23
Figure 22.	SOT223 reel oriented	23

IMPORTANT NOTICE – PLEASE READ CAREFULLY

STMicroelectronics NV and its subsidiaries (“ST”) reserve the right to make changes, corrections, enhancements, modifications, and improvements to ST products and/or to this document at any time without notice. Purchasers should obtain the latest relevant information on ST products before placing orders. ST products are sold pursuant to ST’s terms and conditions of sale in place at the time of order acknowledgement.

Purchasers are solely responsible for the choice, selection, and use of ST products and ST assumes no liability for application assistance or the design of Purchasers’ products.

No license, express or implied, to any intellectual property right is granted by ST herein.

Resale of ST products with provisions different from the information set forth herein shall void any warranty granted by ST for such product.

ST and the ST logo are trademarks of ST. For additional information about ST trademarks, please refer to www.st.com/trademarks. All other product or service names are the property of their respective owners.

Information in this document supersedes and replaces information previously supplied in any prior versions of this document.

© 2021 STMicroelectronics – All rights reserved