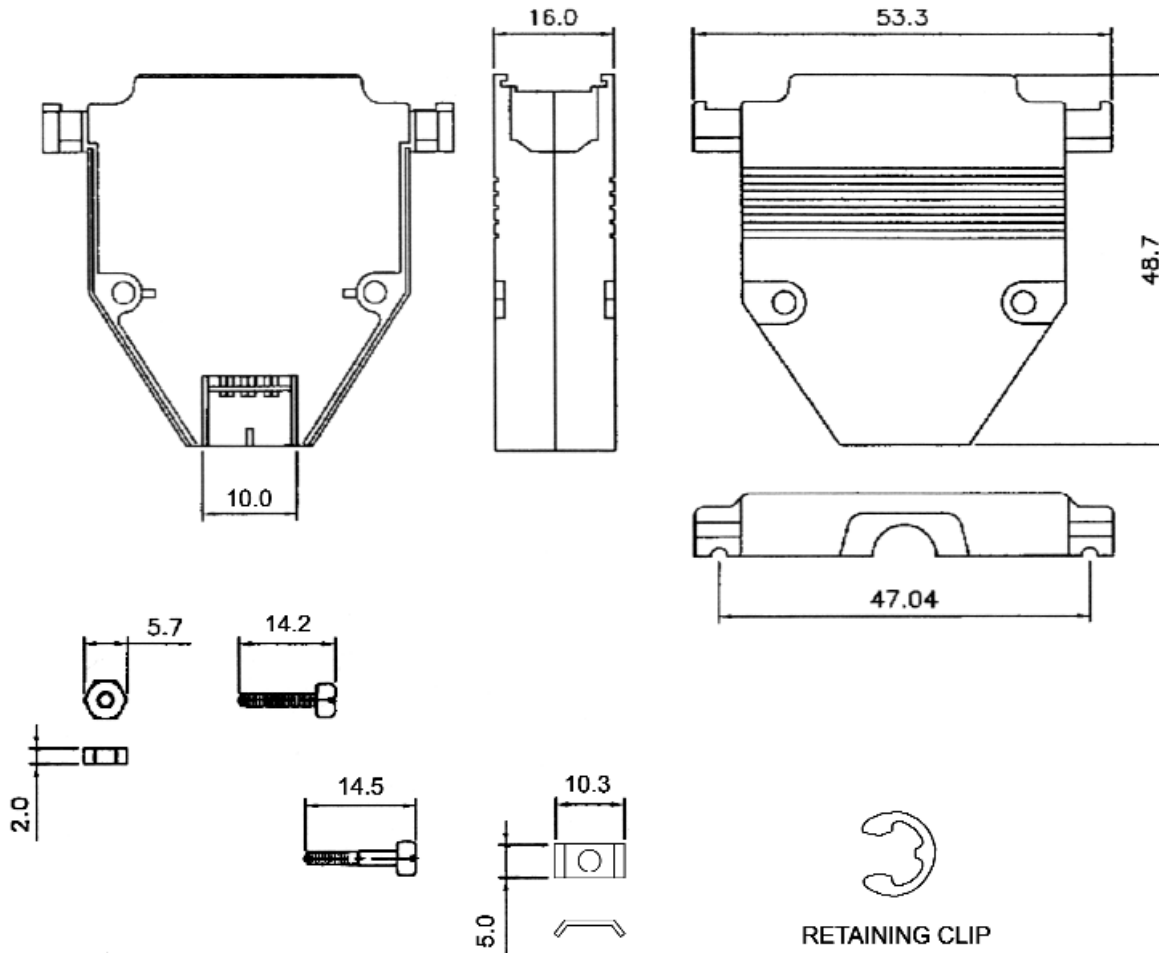


## Part Numbering System

**HBM - 25P**

Hood —  
# of Pin —

Screw Material: Brass



| General Tolerance |           |
|-------------------|-----------|
| X. ± 0.50         | X.° ± 5°  |
| .X ± 0.20         | .X' ± 2°  |
| .XX ± 0.10        | .XX" ± 1° |
| Units : mm        |           |