

Specifications

Material

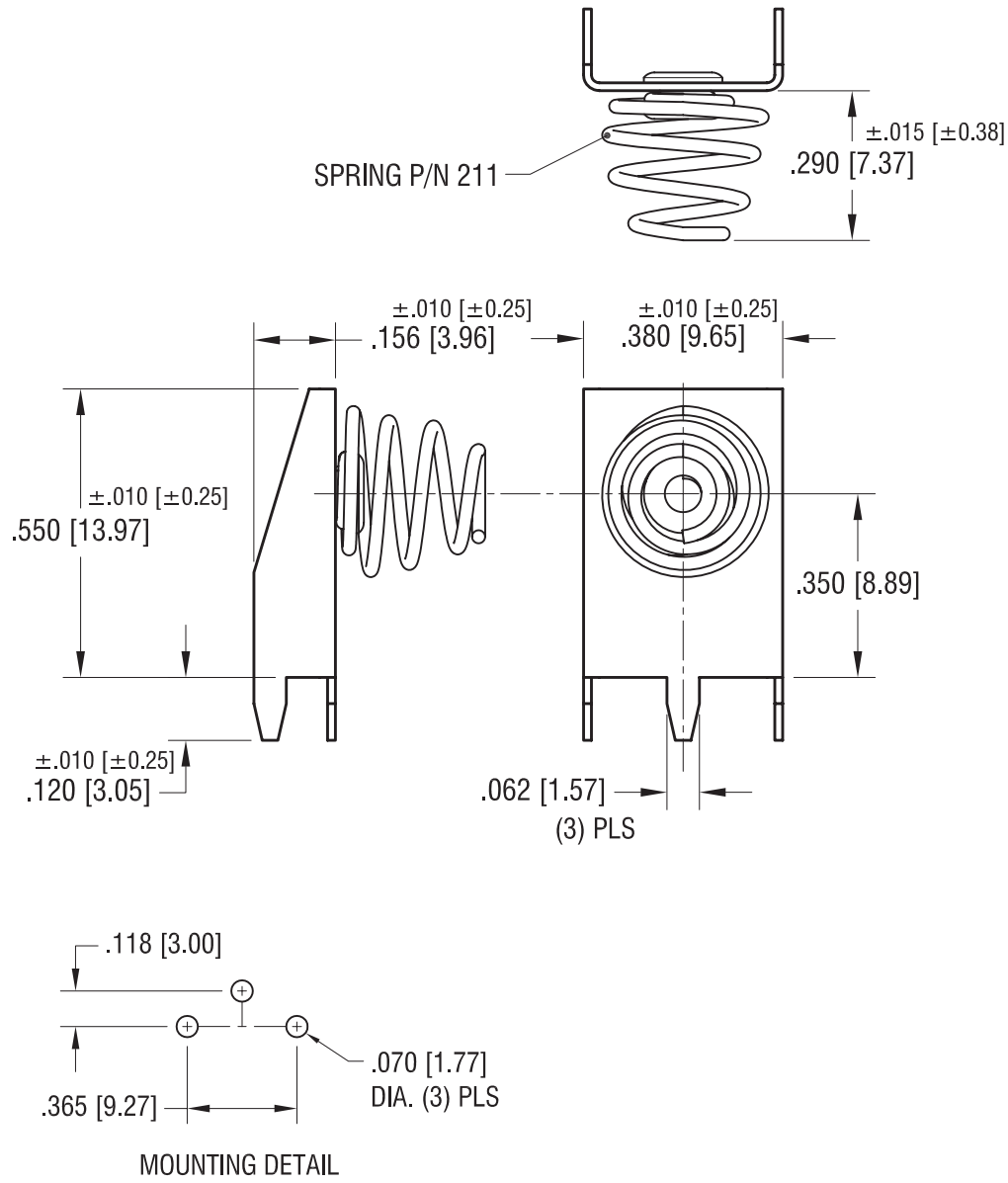
Base: .015 [0.38] Thick Steel
Spring: .025 [0.63] Dia. Music Wire

Plating

Base: Matte Tin Plated
Spring: Nickel Plated

Part Number

BCS-CR2-A



General Tolerance	
Decimal	$\pm .010$ [± 0.25]
Angular	1°
Units : Inches [mm]	