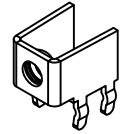
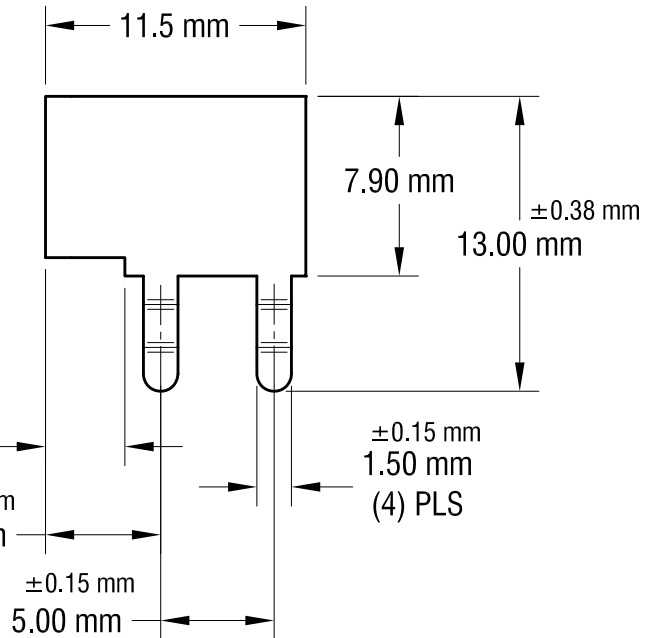
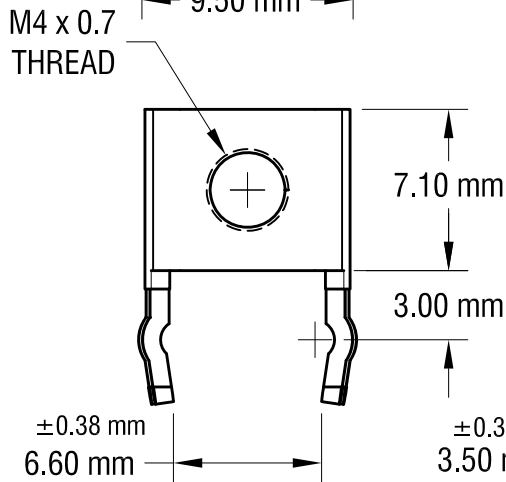
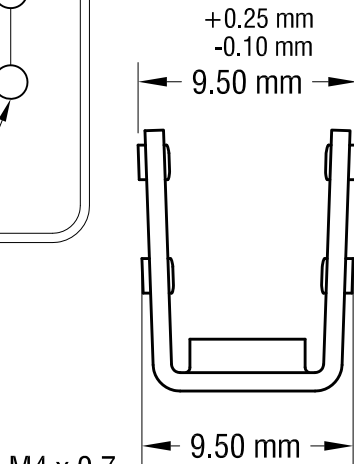
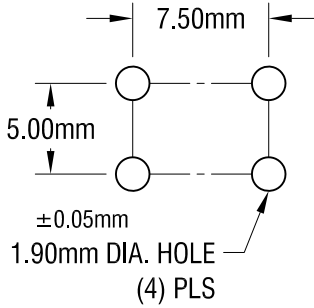


THIS DOCUMENT IS THE PROPERTY OF KEYSTONE ELECTRONICS CORP. AND SHALL NOT BE REPRODUCED, DISTRIBUTED OR USED AS A BASIS FOR MANUFACTURE WITHOUT PRIOR WRITTEN PERMISSION FROM KEYSTONE ELECTRONICS CORP.

**ACTUAL SIZE**



**MOUNTING DETAIL**



**NOTE:**

1. ALL DIMENSION ARE IN MILLIMETERS.

1.14.16	CHANGE AS PER ECN 16-005	C
12.07.09	CHANGE AS PER ECN 09-178	B
8.21.08	CHANGE AS PER ECN 08-139	A
DATE	DESCRIPTION	REV.

<b>KEYSTONE ELECTRONICS CORP.</b>			
www.keyelco.com • ASTORIA, N.Y. 11105-2017 • Tel (718) 956-8900			
PART NAME			
PC METRIC SCREW TERMINAL			
MATERIAL			
0.8 mm TH'K BRASS			
FINISH		DRN BY	DATE
MATTE TIN PLATE		NT	7.01.08
		APP'D	SCALE
		LN	3X
TOLERANCES	INCH [MM]	CODE	DWG NO.
DECIMAL	± [± 0.25]	C	<b>7792</b>
ANGULAR	± 1°		
UNLESS OTHERWISE SPECIFIED			