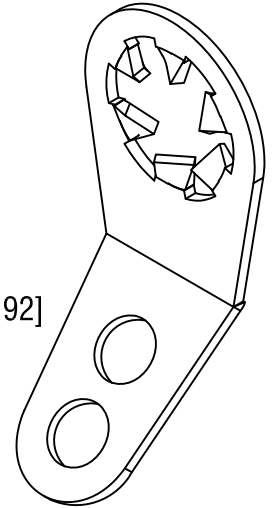
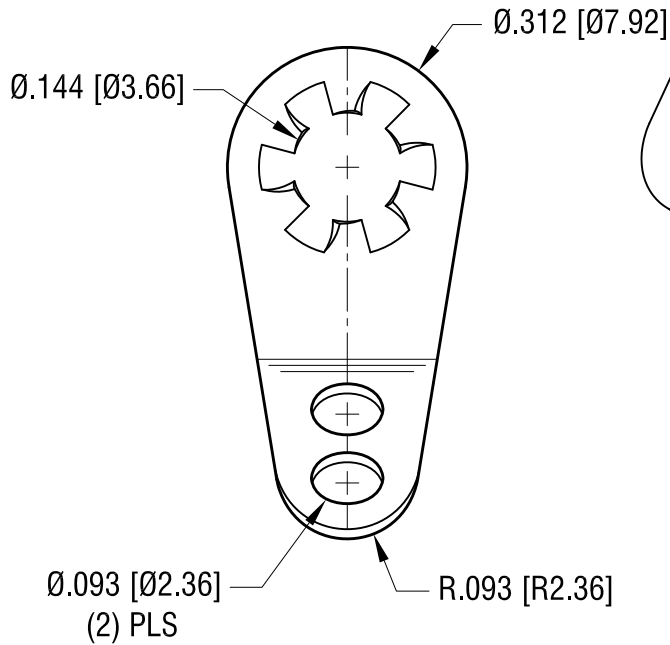
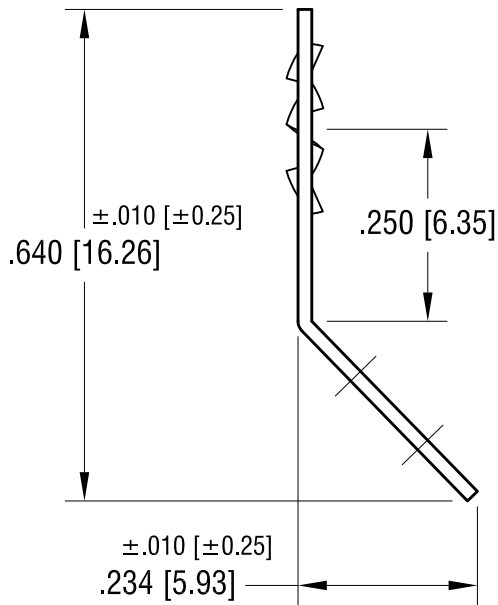


THIS DOCUMENT IS THE PROPERTY OF
KEYSTONE ELECTRONICS CORP. AND
SHALL NOT BE REPRODUCED, DISTRIBUTED
OR USED AS A BASIS FOR MANUFACTURE
WITHOUT PRIOR WRITTEN PERMISSION
FROM KEYSTONE ELECTRONICS CORP.



6.24.09	CHANGE AS PER ECN 09-079	B
2.21.08	CHANGE AS PER ECN 08-087	A
DATE	DESCRIPTION	REV.

KEYSTONE ELECTRONICS CORP.			
www.keyelco.com • ASTORIA, N.Y. 11105-2017 • Tel (718) 956-8900			
PART NAME		LOCKWASHER TERMINAL LUG	
MATERIAL		.018 [0.45] TH'K BRASS	
FINISH		DRN BY	DATE
MATTE TIN PLATE		BOONE	9.2.03
		APP'D	SCALE
TOLERANCES INCH [MM]		CODE	DWG NO.
ANGULAR ± 1°		7312	
UNLESS OTHERWISE SPECIFIED			