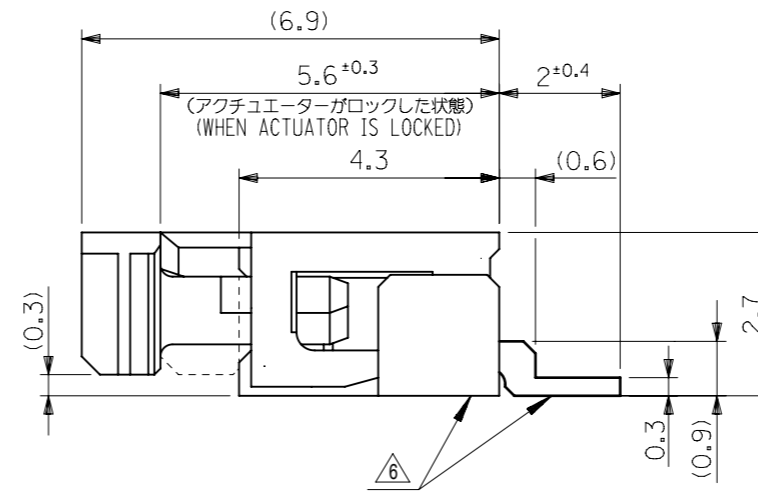
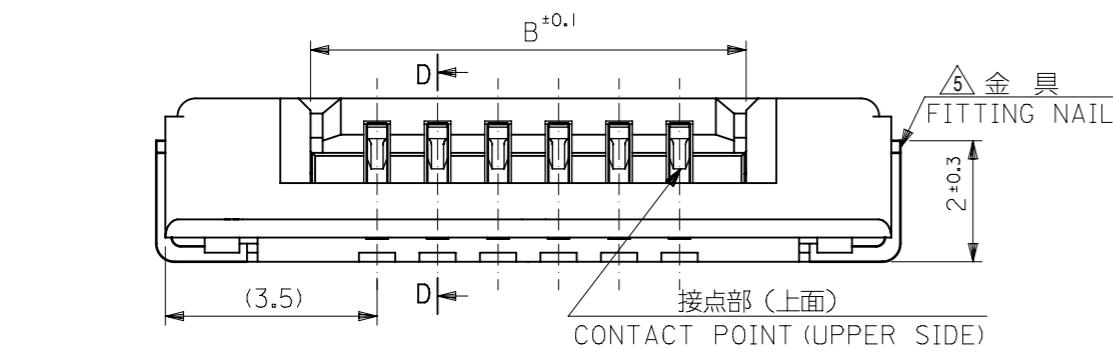
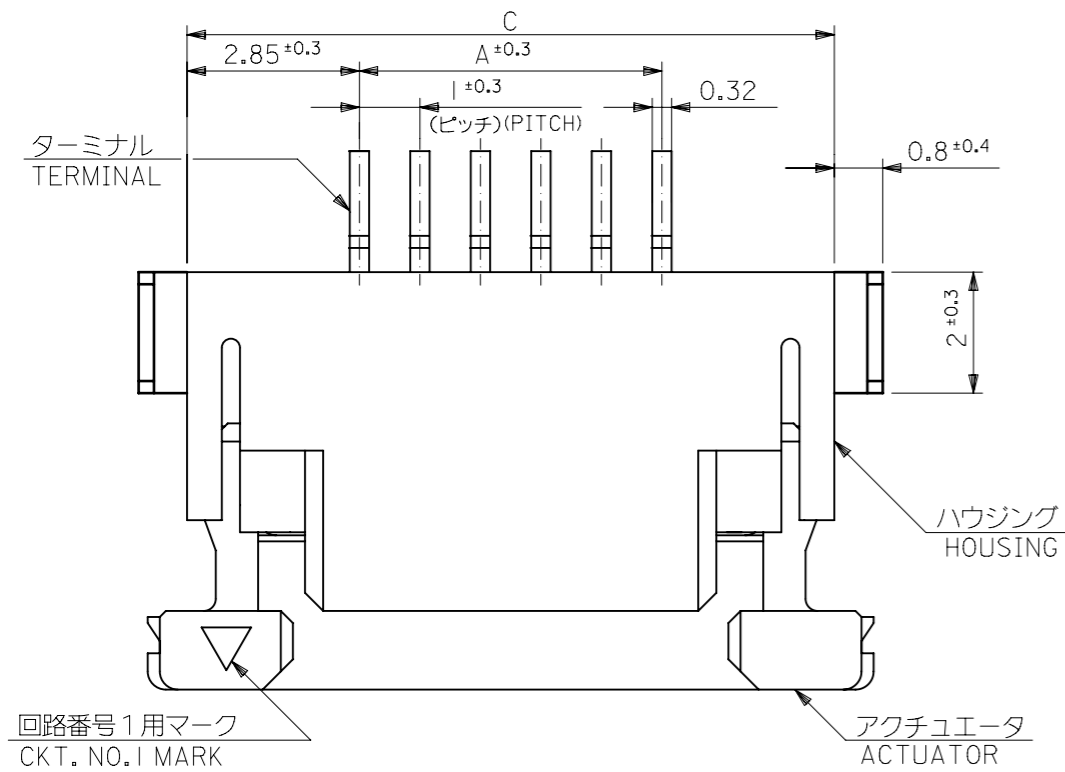
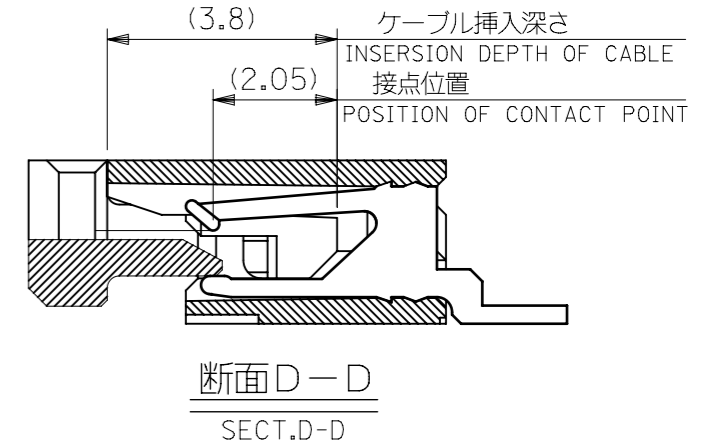


注記 ( NOTE ) :

- 材質 MATERIAL  
 ハウジング: ポリアミド ( PA ) , ナチュラル ( 白色 ) , ガラス充填 , UL94V-0  
 HOUSING: POLYAMIDE, NATURAL(WHITE), GLASS FILLED, UL94V-0  
 アクチュエータ: ポリフェニレンサルファイド(PPS) , ナチュラル ( 茶色 ) , ガラス充填 , UL94-V0  
 ACTUATOR: POLYPHENYLENE SULFIDE, NATURAL(BROWN), GLASS FILLED, UL94V-0  
 ターミナル: リン青銅 ( t=0.32 )  
 TERMINAL: PHOSPHOR BRONZE ( t=0.32 )  
 ネイル(補強金具) : リン青銅 ( t=0.25 )  
 FITTING NAIL: PHOSPHOR BRONZE ( t=0.25 )
- めっき仕様 PLATING  
 ターミナル TERMINAL  
 錫銀ビスマスめっき ( 1.0μm以上 )  
 TIN SILVER BISMUTH PLATING ( 1.0 MICROMETER MINIMUM )  
 下地: ニッケルめっき ( 1.0μm以上 )  
 UNDER PLATE: NICKEL PLATING ( 1.0 MICROMETER MINIMUM )  
 ネイル ( 補強金具 ) FITTING NAIL  
 錫めっき ( 1.0μm以上 )  
 TIN PLATING ( 1.0 MICROMETER MINIMUM )  
 下地: ニッケルめっき ( 1.0μm以上 )  
 UNDER PLATE: NICKEL PLATING ( 1.0 MICROMETER MINIMUM )
- △3 C0.3はFPC/FFCの導体部にかからないこと  
 C0.3 MUST NOT BE OVERLAPED TO PATTERN OF FPC/FFC.
- △4 エンボスター梱包時は、アクチュエータがロックした状態とする。  
 IN THE PACKAGE, ACTUATOR SHOULD BE LOCKED.
- △5 パターン剥離止め用金具  
 FITTING NAIL FOR PREVENTION OF PEELING OF P.C.B. PATTERN.
- △6 ソルダーテール半田付け面、及び金具半田付け面の平坦度: 0.15mm MAX.  
 COPLANARITY OF SOLDER TAILS AND FITTING NAILS TO BE 0.15mm MAX.
- ELV及びRoHS適合品  
 ELV AND RoHS COMPLIANT



38.7	35.2	33	52207-3433	34
34.7	31.2	29	52207-3033	30
33.7	30.2	28	52207-2933	29
32.7	29.2	27	52207-2833	28
31.7	28.2	26	52207-2733	27
30.7	27.2	25	52207-2633	26
29.7	26.2	24	52207-2533	25
28.7	25.2	23	52207-2433	24
27.7	24.2	22	52207-2333	23
26.7	23.2	21	52207-2233	22
25.7	22.2	20	52207-2133	21
24.7	21.2	19	52207-2033	20
23.7	20.2	18	52207-1933	19
22.7	19.2	17	52207-1833	18
21.7	18.2	16	52207-1733	17
20.7	17.2	15	52207-1633	16
19.7	16.2	14	52207-1533	15
18.7	15.2	13	52207-1433	14
17.7	14.2	12	52207-1333	13
16.7	13.2	11	52207-1233	12
15.7	12.2	10	52207-1133	11
14.7	11.2	9	52207-1033	10
13.7	10.2	8	52207-0933	9
12.7	9.2	7	52207-0833	8
11.7	8.2	6	52207-0733	7
10.7	7.2	5	52207-0633	6
9.7	6.2	4	52207-0533	5
8.7	5.2	3	52207-0433	4
7.7	4.2	2	52207-0333	3
C	B	A	EMBOSSED PACKAGE ORDER NO. オーダー番号	極数 CKT.
CONNECTOR SERIES NO.: 52207-**22				

PRE-RELEASE  
REFERENCE  
USE ONLY

GENERAL TOLERANCES (UNLESS SPECIFIED)	
10 UNDER	± 0.2
10 OVER 30 UNDER	± 0.25
30 OVER	± 0.3
ANGULAR ± 3 °	
DRAFT WHERE APPLICABLE MUST REMAIN WITHIN DIMENSIONS	

THIS DRAWING CONTAINS INFORMATION THAT IS PROPRIETARY TO MOLEX ELECTRONIC TECHNOLOGIES, LLC AND SHOULD NOT BE USED WITHOUT WRITTEN PERMISSION

DIMENSION UNITS: mm SCALE: 8:1

CURRENT REV DESC: REVISED

EC NO: 601573  
 DRWN: AISHII 2018/07/17  
 CHK'D: TRSUZUKI 2018/08/10  
 APPR:

INITIAL REVISION:  
 DRWN: NASANUMA 2012/09/21  
 APPR: KMORIKAWA 2013/03/15

THIRD ANGLE PROJECTION

DRAWING: A3-SIZE SERIES: 52207

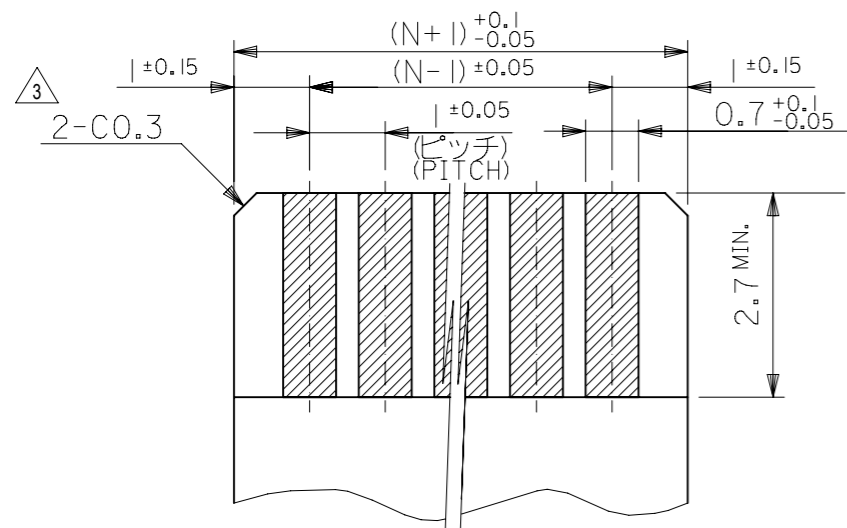
MATERIAL NUMBER: SEE TABLE CUSTOMER: GENERAL MARKET SHEET NUMBER: 1 OF 2

**molex**

1.0 MM FPC CONN. ZIF R/A HOUSING ASSY (UPPER CONTACT)

PRODUCT CUSTOMER DRAWING

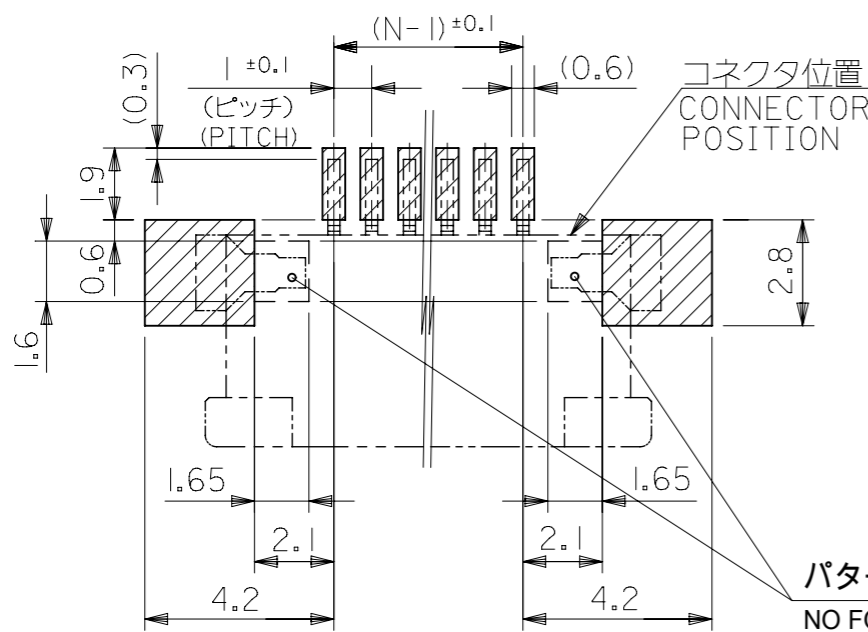
DOCUMENT NUMBER: SD-52207-069 DOC TYPE: PSD DOC PART: 001 REVISION: D



適合FPC/FFC推奨寸法

APPLICABLE FPC/FFC  
RECOMMENDED DIMENSION

(仕上り厚さ: 0.3±0.05)  
(THICKNESS: 0.3±0.05)

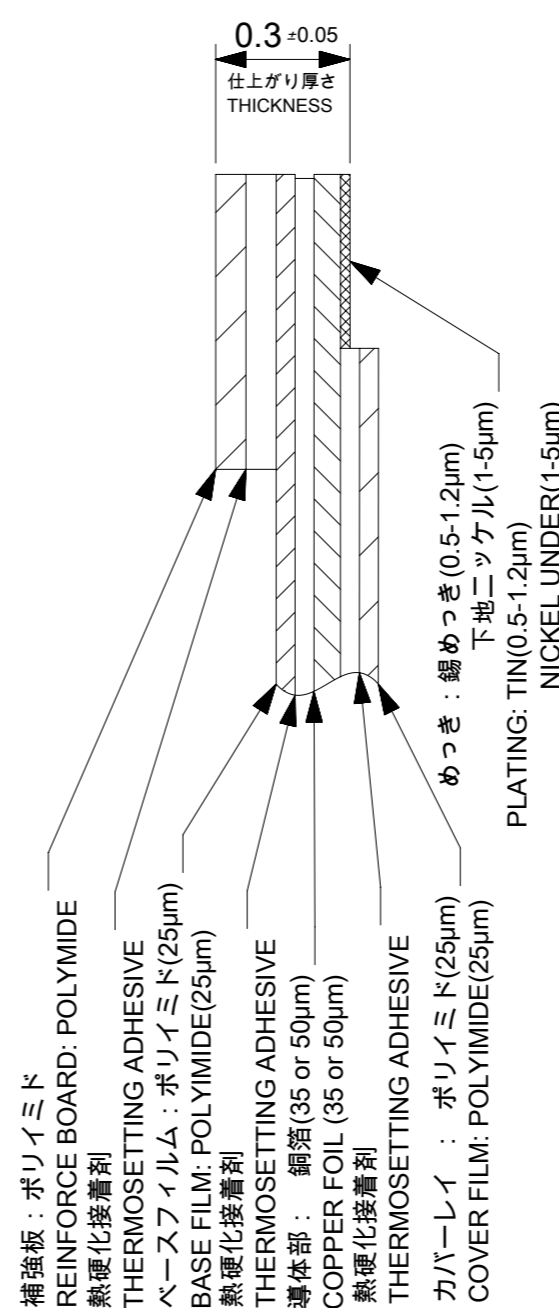


推奨基板レイアウト  
RECOMMENDED P.C. BOARD  
PATTERN DIMENSION (REF.)

(マウント面)  
(MOUNT SIDE)

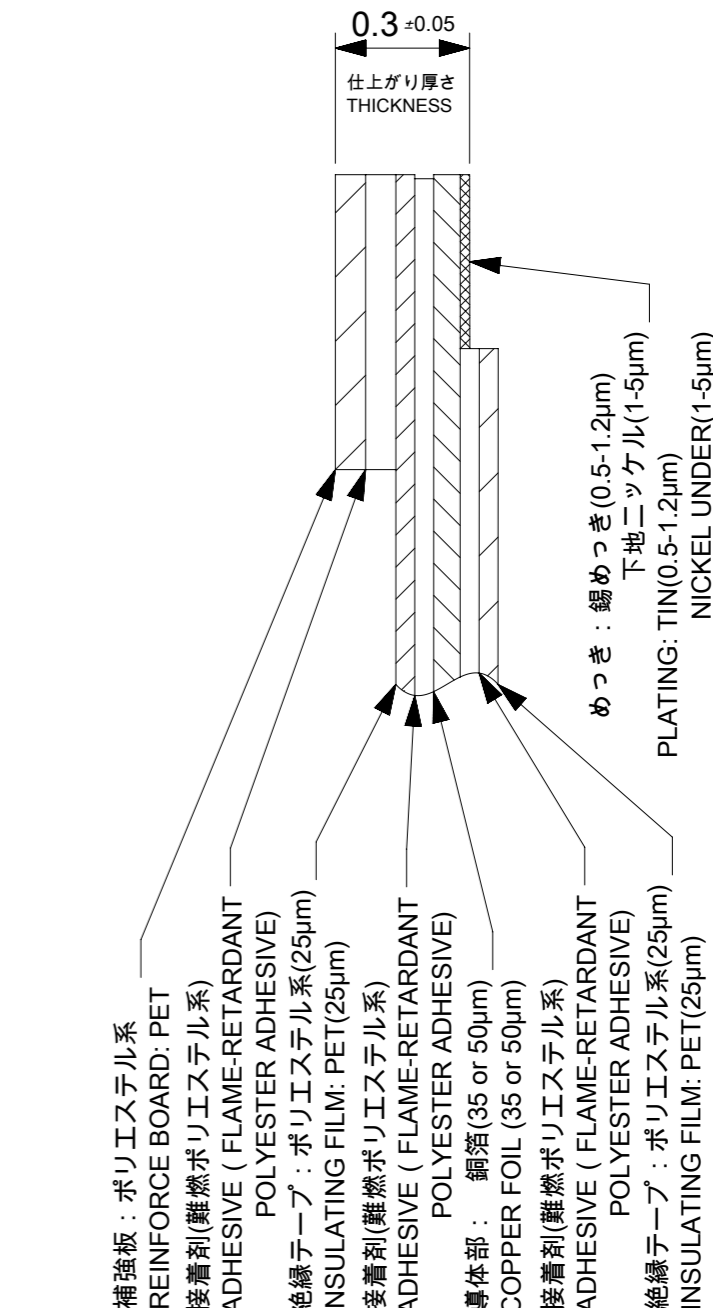
マスク厚 : 100µm  
マスク開口率 : 100%  
SCREEN THICKNESS : 100 MICROMETER  
SCREEN OPEN RATIO : 100%

パターン書き込み禁止エリア  
NO FOOT PRINT AREA



FPC構成推奨仕様

RECOMMENDED STRUCTURE OF FPC



FFC構成推奨仕様

RECOMMENDED STRUCTURE OF FFC

FPC/FFCについて:

抜き方向は、導体側から補強板側を推奨致します。  
尚、接着剤の接点部への付着は導通不良の原因になりますので、  
染み出しが無い様お願い致します。

ABOUT FPC/FFC:

RECOMMENDED PUNCHER DIRECTION:  
PLEASE PUT APPROPRIATE AMOUNT OF ADHESIVE ON ADHEREND  
BECAUSE THERE IS A POSSIBILITY THAT THE EXTRA ADHESIVE  
CAUSES THE DEFECT IN ELECTRICAL CONTINUITY.

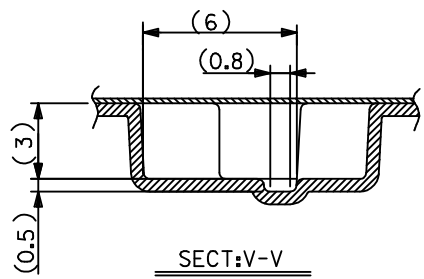
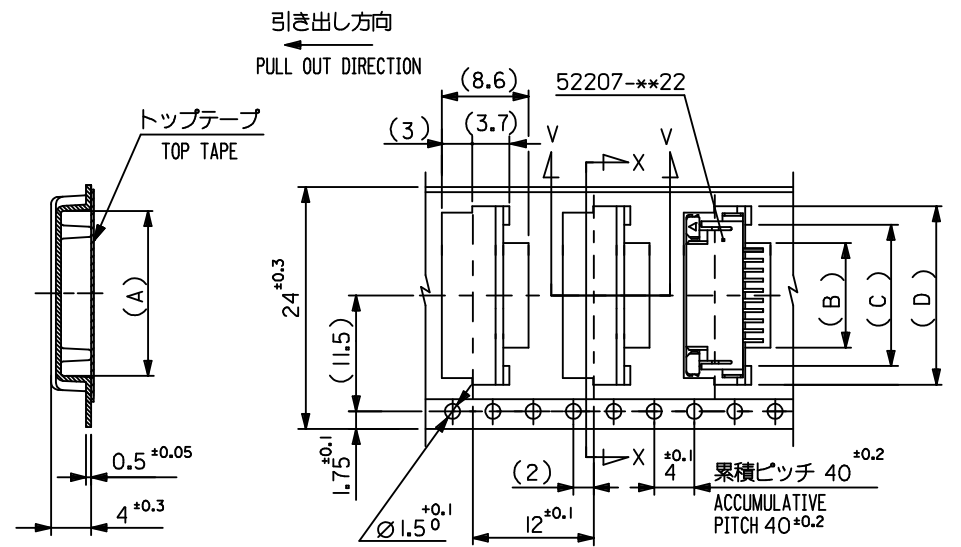
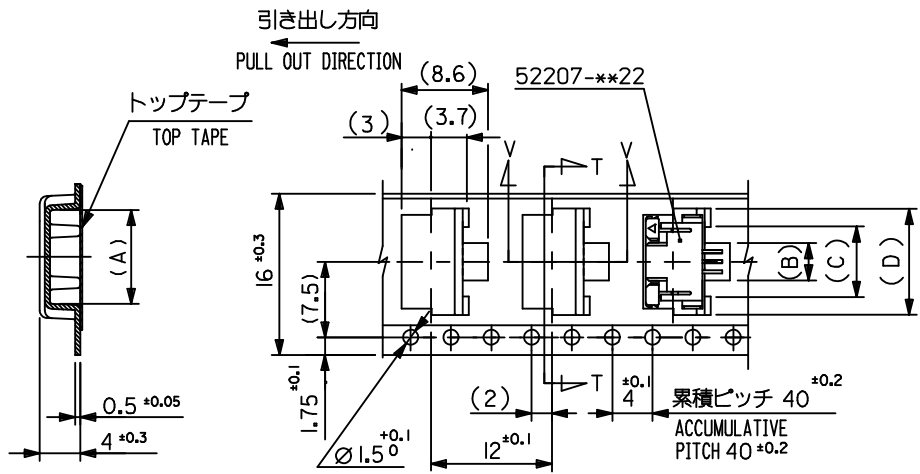
PRE-RELEASE  
REFER TO  
USE ONLY

THIS DRAWING CONTAINS INFORMATION THAT IS PROPRIETARY TO MOLEX ELECTRONIC TECHNOLOGIES, LLC AND SHOULD NOT BE USED WITHOUT WRITTEN PERMISSION

GENERAL TOLERANCES (UNLESS SPECIFIED)		DIMENSION UNITS	SCALE
10 UNDER	± 0.2	mm	5:1
10 OVER 30 UNDER	± 0.25	GENERAL TOLERANCES (UNLESS SPECIFIED)	
30 OVER	± 0.3	ANGULAR TOL ± 3.0°	
ANGULAR ± 3°		4 PLACES ± 0.2	
DRAFT WHERE APPLICABLE MUST REMAIN WITHIN DIMENSIONS		3 PLACES ± 0.25	
		2 PLACES ± 0.3	
		1 PLACE ±	
		0 PLACES ±	
		DRAFT WHERE APPLICABLE MUST REMAIN WITHIN DIMENSIONS	

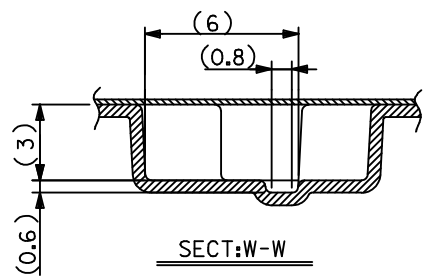
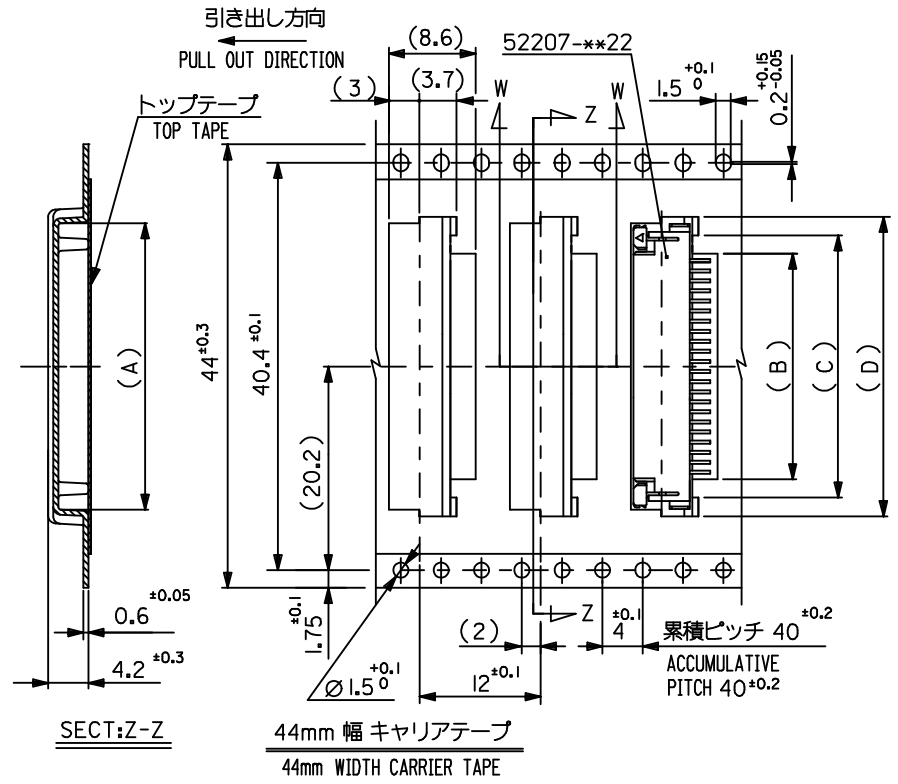
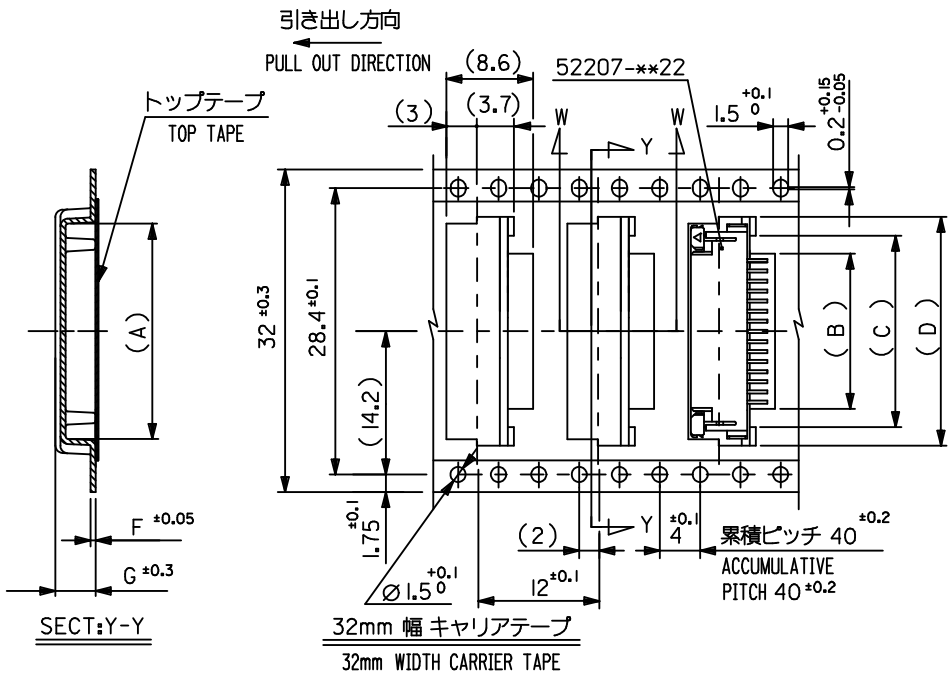
CURRENT REV DESC: REVISED			
EC NO: 601573	DRWN: AISHII	2018/07/17	
CHK'D: TRSUZUKI	APPR:	2018/08/10	
INITIAL REVISION:			
DRWN: NASANUMA	APPR: KMORIKAWA	2012/09/21	
		2013/03/15	
THIRD ANGLE PROJECTION	DRAWING	SERIES	MATERIAL NUMBER
⊕	A3-SIZE	52207	SEE TABLE

<b>molex</b>			
1.0 MM FPC CONN. ZIF R/A HOUSING ASSY (UPPER CONTACT)			
PRODUCT CUSTOMER DRAWING			
DOCUMENT NUMBER	DOC TYPE	DOC PART	REVISION
SD-52207-069	PSD	001	D
CUSTOMER	SHEET NUMBER		
GENERAL MARKET	2 OF 2		



24	29.4	25.4	18.5	15	11.7	17.3	52207-1133	11	
			17.5	14	10.7	16.3	4 -1033	10	
			16.5	13	9.7	15.3	-0933	9	
			15.5	12	8.7	14.3	-0833	8	
			14.5	11	7.7	13.3	-0733	7	
			13.5	10	6.7	12.3	-0633	6	
			12.5	9	5.7	11.3	-0533	5	
			11.5	8	4.7	10.3	7 -0433	4	
52207-***33	16	21.4	17.4	10.5	7	3.7	9.3	52207-0333	3

RELEASED EC NO: J2013-1002 DRWN:NASUNUMA 2012/09/21 CHKD:KAKAHASHI 2013/03/14 APPR:KMORIKAWA 2013/03/15	GENERAL TOLERANCES (UNLESS SPECIFIED)		DIMENSION STYLE MM ONLY		SCALE ---	DESIGN UNITS METRIC	THIRD ANGLE PROJECTION	
	10 UNDER	±0.2	DRAWN BY	DATE	TITLE			
	10 OVER 30 UNDER	±0.25	NASANUMA	2012/09/21	EMBOSS TAPE PACKAGED FOR 1.0 MM FPC CONN ZIF R/A HOUSING ASSY			
	30 OVER	±0.3	CHECKED BY	DATE	<b>molex</b> DOCUMENT NO. SD-52207-070 SHEET NO. 1 OF 3			
	ANGULAR ±3 °		KTAKAHASHI	2013/03/14				
DRAFT WHERE APPLICABLE MUST REMAIN WITHIN DIMENSIONS		APPROVED BY	DATE	SEE CHART				
		KMORIKAWA	2013/03/15	THIS DRAWING CONTAINS INFORMATION THAT IS PROPRIETARY TO MOLEX INCORPORATED AND SHOULD NOT BE USED WITHOUT WRITTEN PERMISSION				




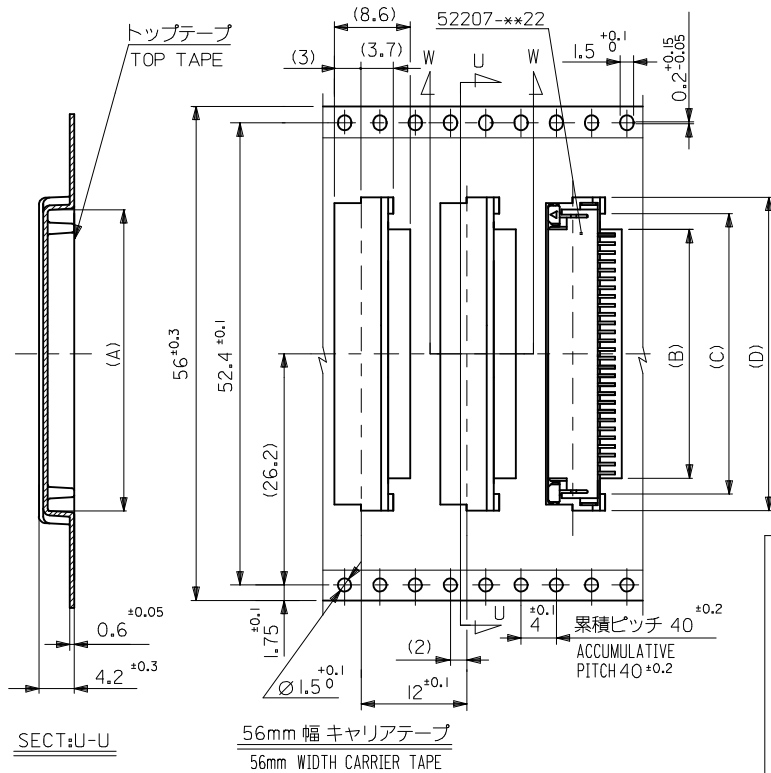
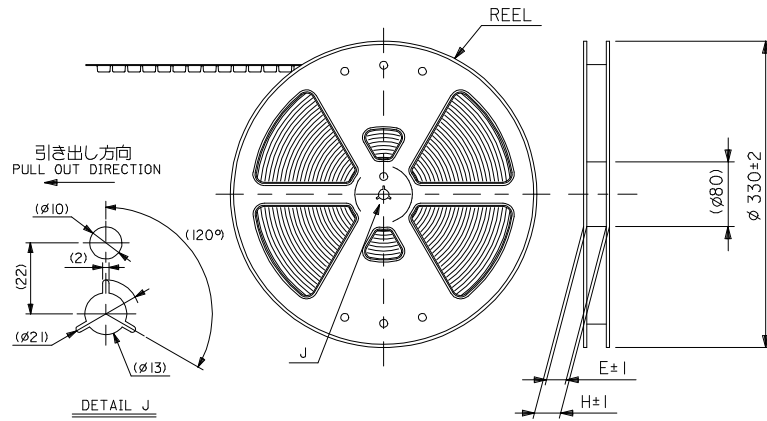
32	37.4	33.4	4.0	0.5	23.5	20	16.7	22.35	52207-1633	16
			4.2	0.6	22.5	19	15.7	21.35	4-1533	15
			4.2	0.6	21.5	18	14.7	20.35	-1433	14
			4.2	0.6	20.5	17	13.7	19.35	7-1333	13
			4.2	0.6	19.5	16	12.7	18.35	52207-1233	12
キャリアテープ幅 CARRIER TAPE WIDTH	H	E	(G)	(F)	(D)	(C)	(B)	(A)	MATERIAL NO.	極数 CKT.

44	49.4	45.4	34.5	31	27.7	33.35	52207-2733	27
			33.5	30	26.7	32.35	4-2633	26
			32.5	29	25.7	31.35	-2533	25
			31.5	28	24.7	30.35	-2433	24
			30.5	27	23.7	29.35	-2333	23
			29.5	26	22.7	28.35	-2233	22
			28.5	25	21.7	27.35	-2133	21
			27.5	24	20.7	26.35	-2033	20
			26.5	23	19.7	25.35	-1933	19
			25.5	22	18.7	24.35	7-1833	18
			24.5	21	17.7	23.35	52207-1733	17
キャリアテープ幅 CARRIER TAPE WIDTH	H	E	(D)	(C)	(B)	(A)	MATERIAL NO.	極数 CKT.

SEE SHEET 1 OF 3 EC NO.: J2013-1002 DRWN:NASUNUMA 2012/09/21 CHKD:KAKAHASHI 2013/03/14 APPR:KMORIKAWA 2013/03/15	GENERAL TOLERANCES (UNLESS SPECIFIED)	DIMENSION STYLE MM ONLY	SCALE ---	DESIGN UNITS METRIC	THIRD ANGLE PROJECTION
	10 UNDER ±0.2	DRAWN BY NASUNUMA	DATE 2012/09/21	TITLE EMBOSSD TAPE PACKAGED 1.0 MM FPC CONN ZIF R/A HOUSING ASSY	
	10 OVER 30 UNDER ±0.25	CHECKED BY KAKAHASHI	DATE 2013/03/14		
	30 OVER ±0.3	APPROVED BY KMORIKAWA	DATE 2013/03/15		
	ANGULAR ±3 °	DRAFT WHERE APPLICABLE MUST REMAIN WITHIN DIMENSIONS		SEE CHART	DOCUMENT NO. SD-52207-070
SIZE A3	THIS DRAWING CONTAINS INFORMATION THAT IS PROPRIETARY TO MOLEX INCORPORATED AND SHOULD NOT BE USED WITHOUT WRITTEN PERMISSION				

注記

- 製品番号52207-\*\*22の梱包状態は、アクチュエータがロックした状態とする。  
 詳細寸法については、図面SD-52207-069を参照ください  
 IN THE PACKAGE, ACTUATOR OF PART NO.52207-\*\*22 SHOULD BE LOCKED  
 RE DETAILED DIMENSIONS, SEE SD-52207-069.
- 梱包数量：1000個/リール  
 NUMBER OF CONNECTORS : 1000PCS/REEL
- リードテープ長さ(LEAD TAPE LENGTH)  
 トップテープ TOP TAPE                      トップテープ TOP TAPE  
 リーダー部 LEADER PART                      未接着部 NON-BONDED PART  

- カバーテープの剥離強度については、IEC60286-3に準拠  
 COVER TAPE PEEL FORCE IS DEFINED BY IEC60286-3.
- 材料 (MATERIAL)  
 キャリアテープ (CARRIER TAPE) : ポリプロピレン (POLYPROPYLENE)  
 トップテープ (TOPTAPE) : PET, PE, PEF  
 リール (REEL) : ポリスチレン (PS) <リサイクル材を含む>  
 POLYSTYRENE (PS) <RECYCLE MATERIAL CONTAINED>
- 本製品は乾燥剤入り、ハイバリア梱包仕様である。  
 THIS PRODUCT IS HIGH BARRIER PACKAGE WITH DESICCANT.
- ELV及びRoHS適合品  
 ELV AND RoHS COMPLIANT.



52207-**33	MODEL NO.	キャリアテープ幅 CARRIER TAPE WIDTH	H	E	(D)	(C)	(B)	(A)	41.5	38	34.7	40.35	52207-3433	34
									37.5	34	30.7	36.35	52207-3033	30
									36.5	33	29.7	35.35	52207-2933	29
									35.5	32	28.7	34.35	52207-2833	28
									MATERIAL NO.	極致 CKT.				

SEE SHEET 1 OF 3

EC NO: J2013-1002      2012/09/21  
 DRWN:NASUNUMA  
 CHKD:KAKAHASHI      2013/03/14  
 APPR:KMORIKAWA      2013/03/15

GENERAL TOLERANCES (UNLESS SPECIFIED)

10 UNDER	±0.2
10 OVER 30 UNDER	±0.25
30 OVER	±0.3

ANGULAR ±3 °  
 DRAFT WHERE APPLICABLE  
 MUST REMAIN WITHIN DIMENSIONS

DIMENSION STYLE  
 MM ONLY

SCALE ---  
 DESIGN UNITS  
 METRIC

THIRD ANGLE PROJECTION

TITLE  
 EMBOSSED TAPE PACKAGED  
 1.0 MM FPC CONN ZIF R/A  
 HOUSING ASSY

**molex**

DOCUMENT NO. SD-52207-070      SHEET NO. 3 OF 3

SIZE A3  
 THIS DRAWING CONTAINS INFORMATION THAT IS PROPRIETARY TO MOLEX  
 INCORPORATED AND SHOULD NOT BE USED WITHOUT WRITTEN PERMISSION