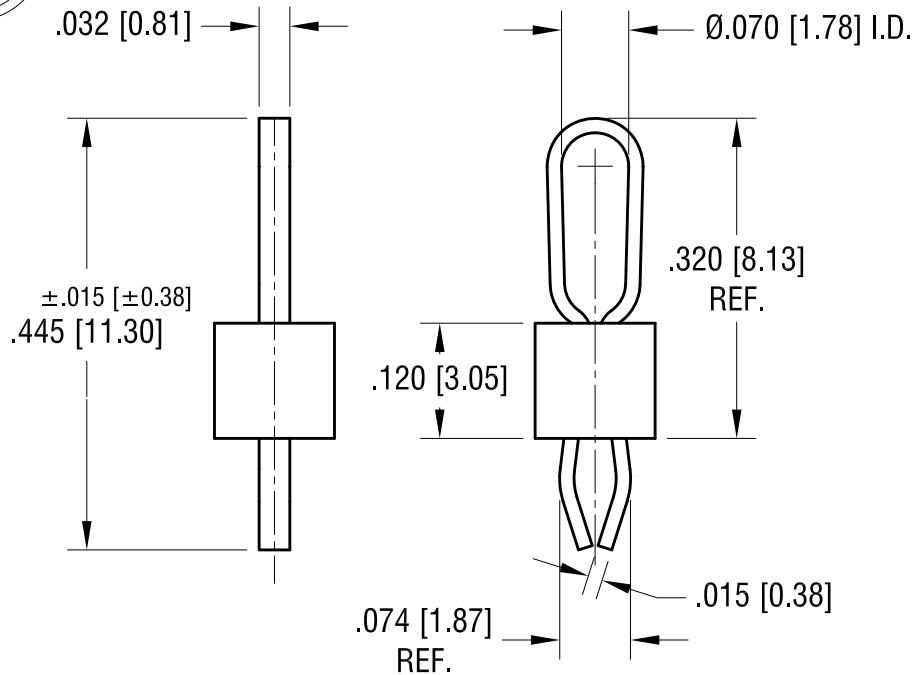
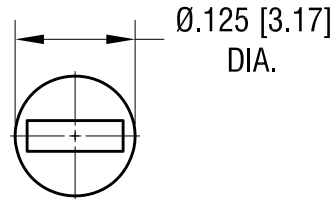
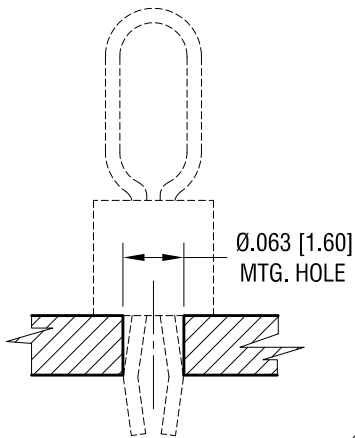


THIS DOCUMENT IS THE PROPERTY OF KEYSTONE ELECTRONICS CORP. AND SHALL NOT BE REPRODUCED, DISTRIBUTED OR USED AS A BASIS FOR MANUFACTURE WITHOUT PRIOR WRITTEN PERMISSION FROM KEYSTONE ELECTRONICS CORP.

ACTUAL SIZE



MTG. DETAIL



NOTES:

1. TERMINAL:

MAT'L - PHOSPHOR BRONZE WIRE

BASE:

MAT'L - HEAT RESISTANT NYLON 46
COLOR-BLACK

12.30.13	CHANGE AS PER ECN 13-121	F
2.04.09	CHANGE AS PER ECN 09-009	E
10.10.08	CHANGE AS PER ECN 08-170	D
8.17.06	CHANGE AS PER ECN 06-045	C
1.23.06	CHANGE AS PER ECN 06-009	B
DATE	DESCRIPTION	REV.

KEYSTONE ELECTRONICS CORP.			
www.keyelco.com • ASTORIA, N.Y. 11105-2017 • Tel (718) 956-8900			
PART NAME PC TEST POINT - MULTIPURPOSE			
MATERIAL AS NOTED			
FINISH SILVER PLATE		DRN BY BOONE	DATE 6.19.95
		APP'D LN	SCALE 5X
TOLERANCES	INCH [MM]	CODE	DWG NO.
DECIMAL	$\pm .005$ [± 0.15]	C	5011
ANGULAR	$\pm 1^\circ$		
UNLESS OTHERWISE SPECIFIED			