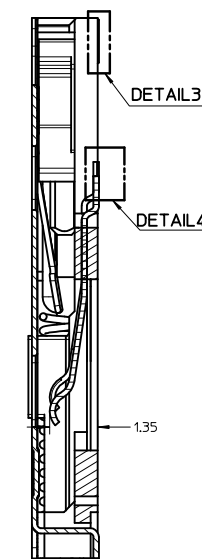
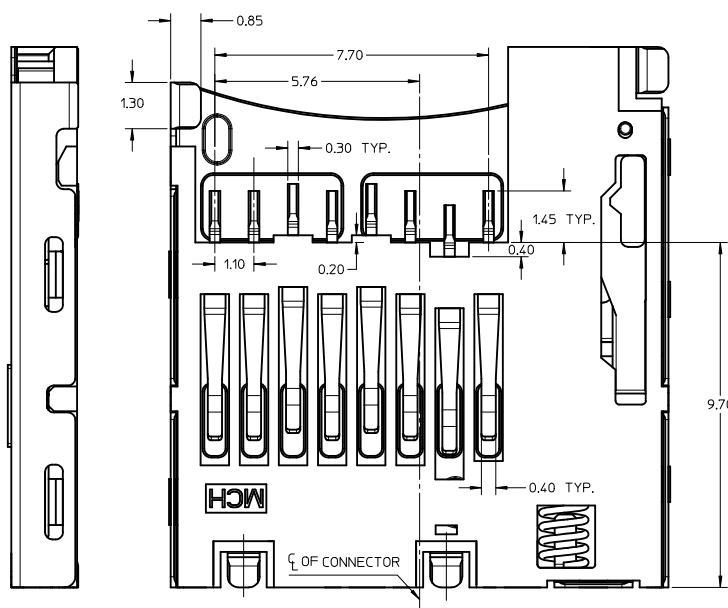
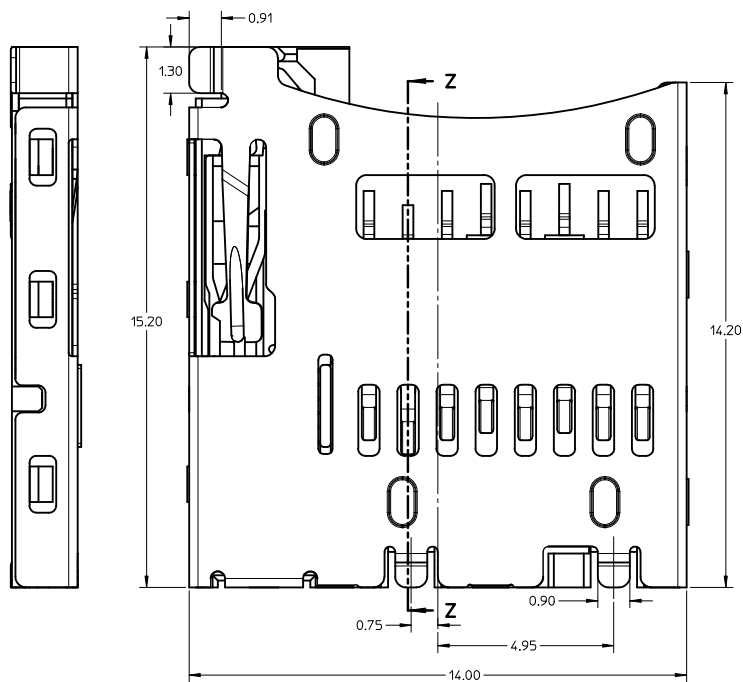
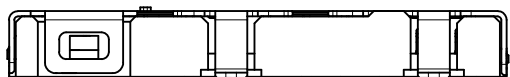


DETAIL 4

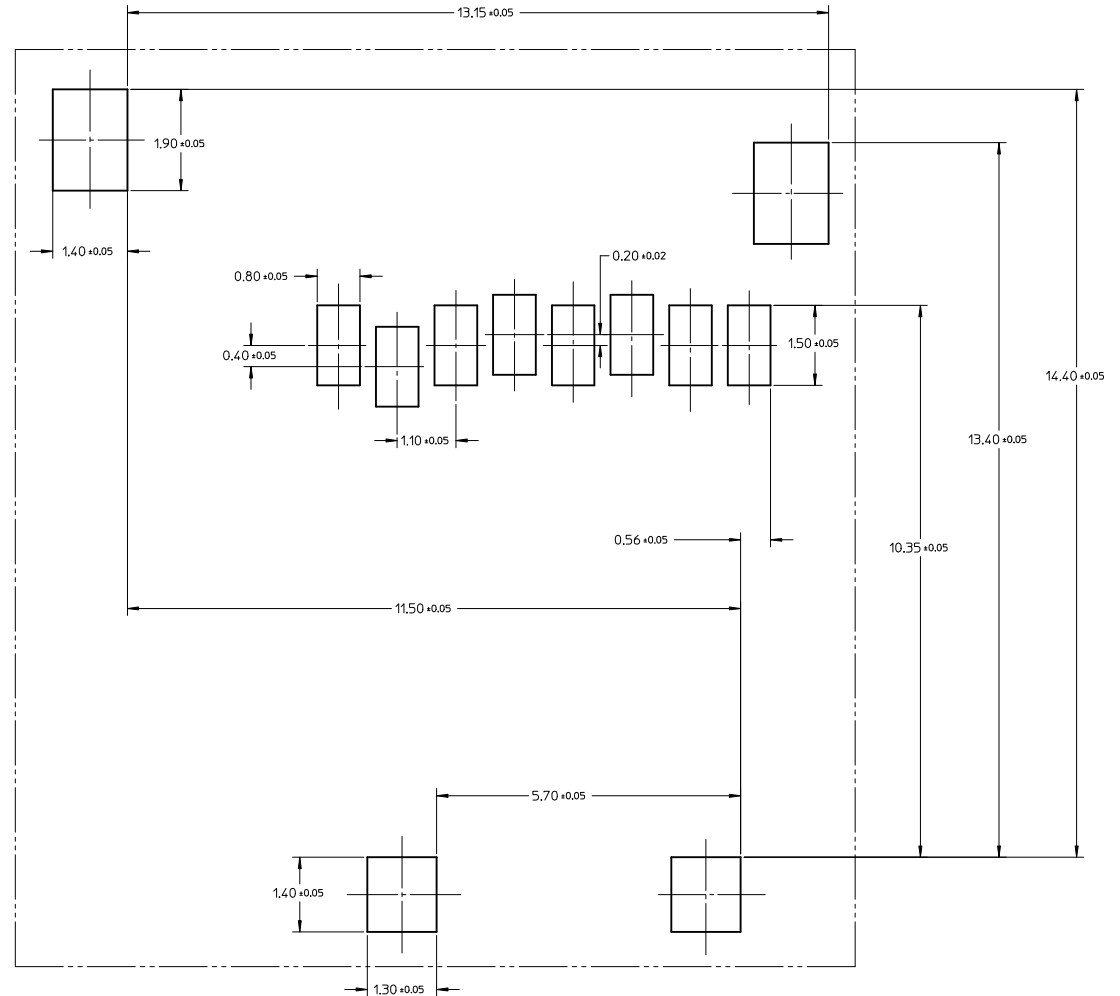
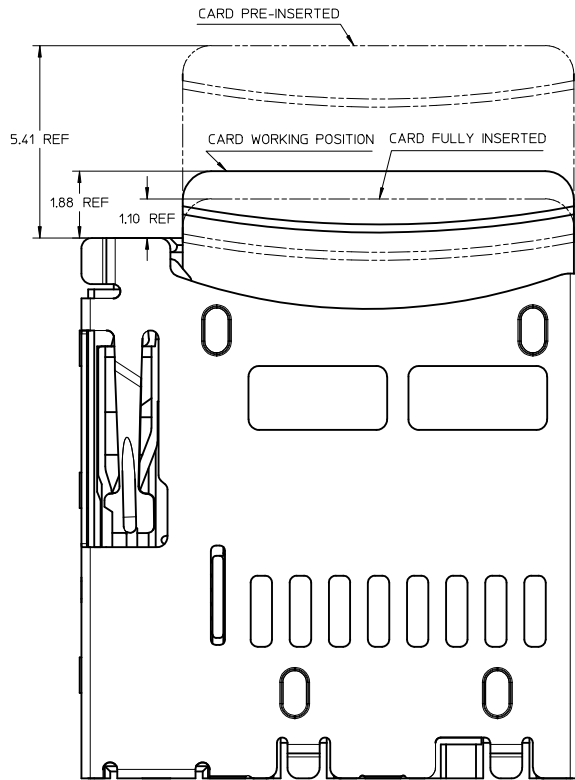
DETAIL 3



SECTION Z-Z



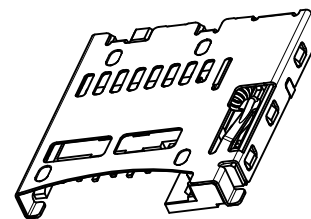
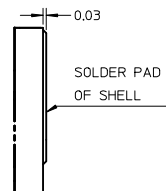
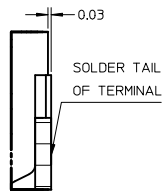
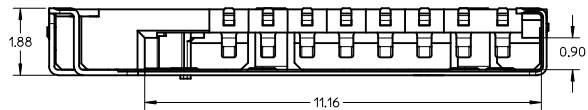
REVISED EC NO: SH2012-0215 DRAWN: GLLI CHKD: APPR: XJSONG 2012/01/05 2012/01/16	DESCRIPTION TFR/MICRO SD CARD READER PUSH PUSH TYPE WITHOUT DETECT PIN	QUALITY SYMBOLS ▽=0 ▽=0 ▽=0		GENERAL TOLERANCES (UNLESS SPECIFIED) mm INCH 4 PLACES ± --- ± --- 3 PLACES ± --- ± --- 2 PLACES ± 0.15 ± --- 1 PLACE ± 0.30 ± --- ANGULAR ± 3°		DIMENSION STYLE MM ONLY DRAWN BY DATE GLLI 2012/01/05 CHECKED BY DATE APPROVED BY DATE XJSONG 2012/01/16 MATERIAL NO.		SCALE 5:1	DESIGN UNITS METRIC	THIRD ANGLE PROJECTION	TITLE TFR/MICRO SD CARD READER PUSH PUSH TYPE WITHOUT DETECT PIN	DOCUMENT NO. SD-47334-001	SHEET NO. 1 OF 2
		DRAFT WHERE APPLICABLE MUST REMAIN WITHIN DIMENSIONS		SIZE A2		THIS DRAWING CONTAINS INFORMATION THAT IS PROPRIETARY TO MOLEX INCORPORATED AND SHOULD NOT BE USED WITHOUT WRITTEN PERMISSION		MOLEX MOLEX INCORPORATED		MOLEX INCORPORATED		MOLEX INCORPORATED	



RECOMMENDED PCB LAYOUT

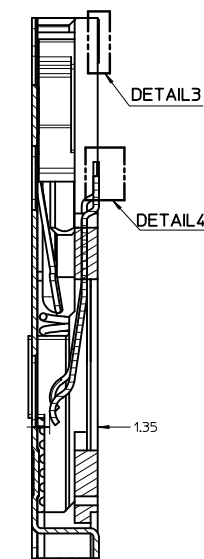
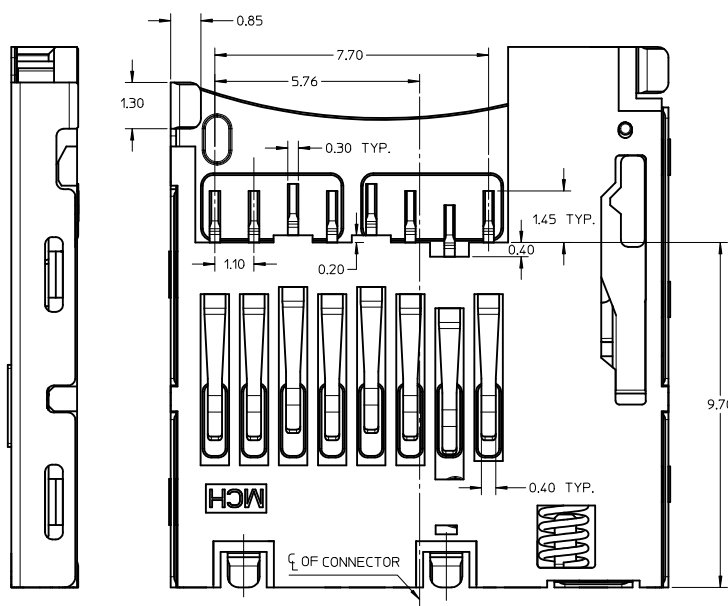
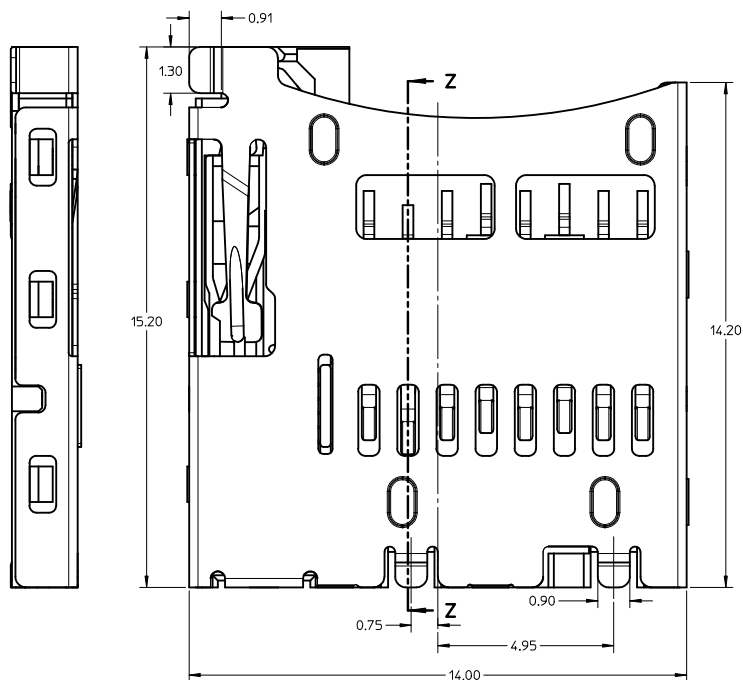
- NOTES:
- 1 MATERIAL:
 - 1-1 TERMINAL, FITTING NAIL : COPPER ALLOY.
 - 1-2 SHELL, CAM PIN, SPRING : STAINLESS STEEL.
 - 1-3 HOUSING : LCP, UL 94-V0, BLACK.
 - 1-4 CAM: NYLON 46.
 - 2 FINISH:
 - 2-1 TERMINAL : NICKEL UNDERPLATED, GOLD PLATING ON CONTACT AREA
TIN PLATING ON SOLDER TAIL
 - 2-2 SHELL : GOLD FLASH OVER NICKEL UNDERPLATED ON SOLDER PAD
 - 3 MECHANICAL SPECIFICATION:
 - REPEATED 5,000 TIMES MATING AND UNMATING CYCLES AND STILL MEET ELECTRICAL CHARACTERISTICS
 - 4 ELECTRICAL SPECIFICATION:
 - 4-1 RATED CURRENT (PER CONTACT) : 0.5AMPS MAX AND TEMPERATURE RISE SHOULD BE 30°C MAX
 - 4-2 INSULATION RESISTANCE(I.R) : 100 MEGOHMS MIN.
 - 4-3 DIELECTRIC WITHSTANDING VOLTAGE : 500 VAC
 - 4-4 CONTACT RESISTANCE: 100 MILLIOHMS MAX

REVISED EC NO: SF2012-0215 DRW:GLL CHKD: APPR:XJSONG 2012/01/05 2012/01/16	DESCRIPTION XJSONG	QUALITY SYMBOLS $\nabla=0$ $\nabla=0$ $\nabla=0$		GENERAL TOLERANCES (UNLESS SPECIFIED)		DIMENSION STYLE MM ONLY		SCALE 10:1	DESIGN UNITS METRIC	THIRD ANGLE PROJECTION	
		4 PLACES ± --- ± --- 3 PLACES ± --- ± --- 2 PLACES ± 0.15 ± --- 1 PLACE ± 0.30 ± ---		mm INCH		DRAWN BY GLLI	DATE 2012/01/05	TITLE TFR/MICRO SD CARD READER PUSH PUSH TYPE WITHOUT DETECT PIN			
		DRAFT WHERE APPLICABLE MUST REMAIN WITHIN DIMENSIONS		ANGULAR ± 3 °		APPROVED BY XJSONG	DATE 2012/01/16	MATERIAL NO. 47334-0001		DOCUMENT NO. SD-47334-001	
						SIZE A2		THIS DRAWING CONTAINS INFORMATION THAT IS PROPRIETARY TO MOLEX INCORPORATED AND SHOULD NOT BE USED WITHOUT WRITTEN PERMISSION			

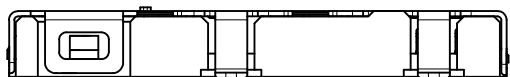


DETAIL 4

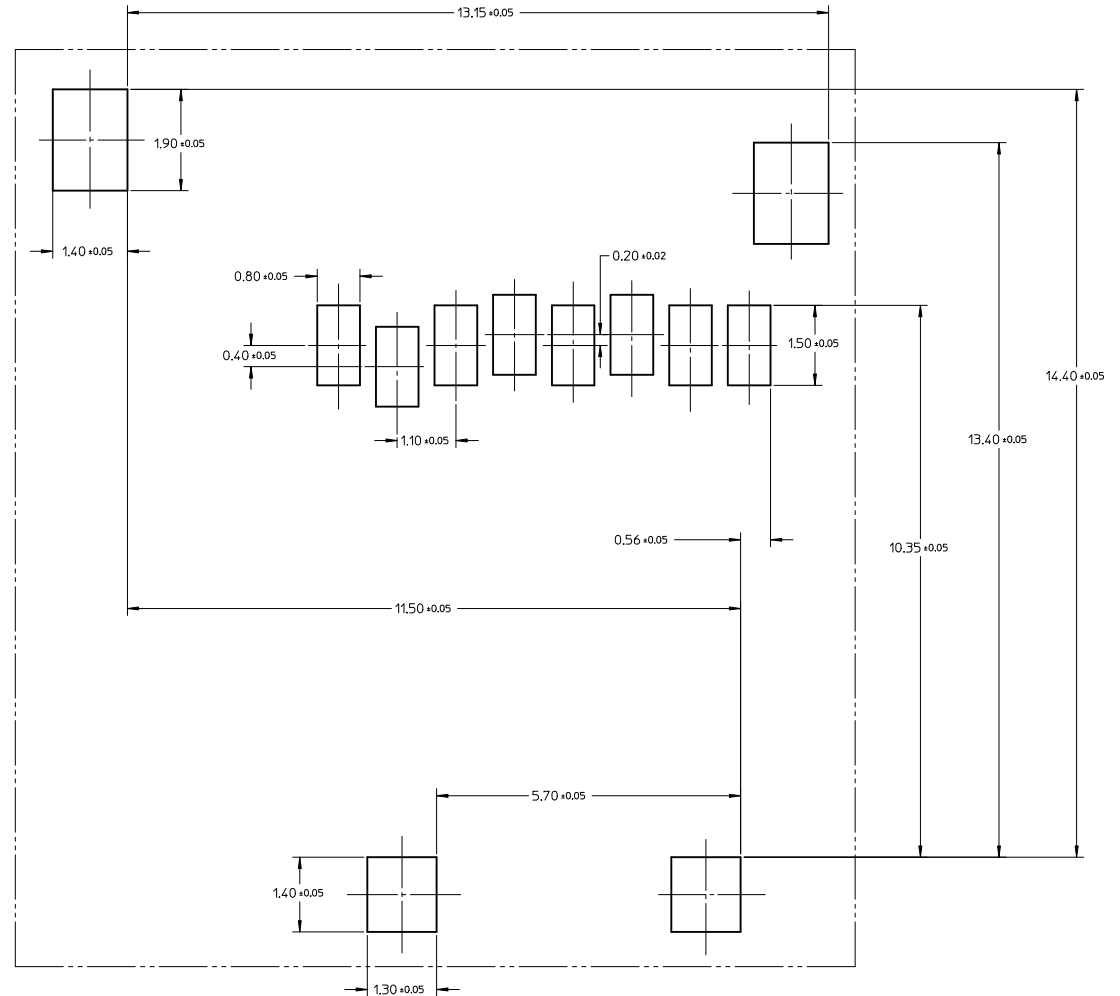
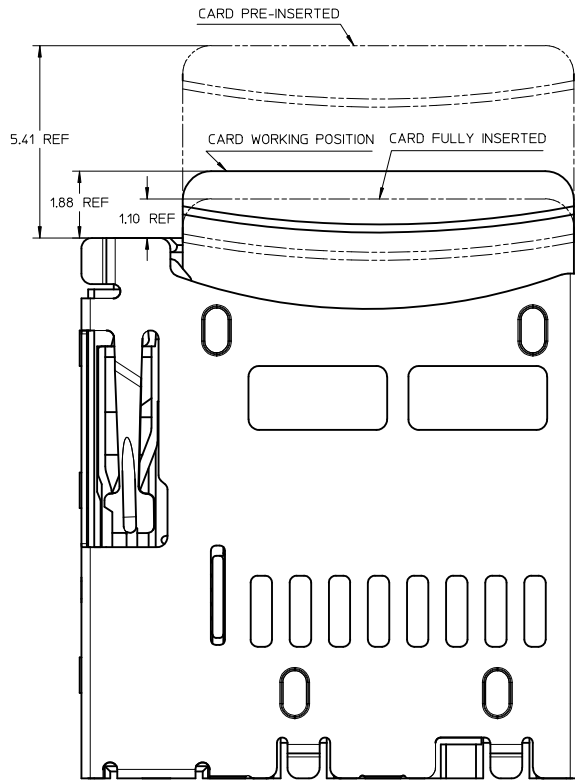
DETAIL 3



SECTION Z-Z



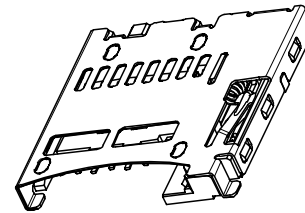
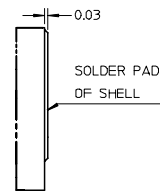
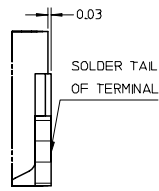
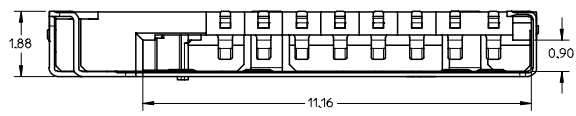
REVISED EC NO: SH2012-0215 DRAWN: GLLI CHKD: APPR: XJSONG 2012/01/05 2012/01/16	DESCRIPTION TFR/MICRO SD CARD READER PUSH PUSH TYPE WITHOUT DETECT PIN	QUALITY SYMBOLS ▽=0 ▽=0 ▽=0		GENERAL TOLERANCES (UNLESS SPECIFIED) <table border="1"> <thead> <tr> <th></th> <th>mm</th> <th>INCH</th> </tr> </thead> <tbody> <tr> <td>4 PLACES</td> <td>± 0.15</td> <td>± 0.006</td> </tr> <tr> <td>3 PLACES</td> <td>± 0.20</td> <td>± 0.008</td> </tr> <tr> <td>2 PLACES</td> <td>± 0.30</td> <td>± 0.012</td> </tr> <tr> <td>1 PLACE</td> <td>± 0.40</td> <td>± 0.016</td> </tr> <tr> <td colspan="2">ANGULAR</td> <td>± 3°</td> </tr> </tbody> </table>			mm	INCH	4 PLACES	± 0.15	± 0.006	3 PLACES	± 0.20	± 0.008	2 PLACES	± 0.30	± 0.012	1 PLACE	± 0.40	± 0.016	ANGULAR		± 3°	DIMENSION STYLE MM ONLY		SCALE 5:1	DESIGN UNITS METRIC	THIRD ANGLE PROJECTION
			mm	INCH																								
4 PLACES	± 0.15	± 0.006																										
3 PLACES	± 0.20	± 0.008																										
2 PLACES	± 0.30	± 0.012																										
1 PLACE	± 0.40	± 0.016																										
ANGULAR		± 3°																										
DRAFT WHERE APPLICABLE MUST REMAIN WITHIN DIMENSIONS		DRAWN BY GLLI		DATE 2012/01/05		TITLE TFR/MICRO SD CARD READER PUSH PUSH TYPE WITHOUT DETECT PIN		SHEET NO. 1 OF 2																				
APPROVED BY XJSONG		DATE 2012/01/16		MATERIAL NO. 47334-0001		DOCUMENT NO. SD-47334-001			MOLEX INCORPORATED																			
THIS DRAWING CONTAINS INFORMATION THAT IS PROPRIETARY TO MOLEX INCORPORATED AND SHOULD NOT BE USED WITHOUT WRITTEN PERMISSION																												



RECOMMENDED PCB LAYOUT

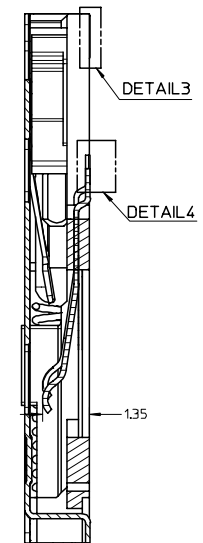
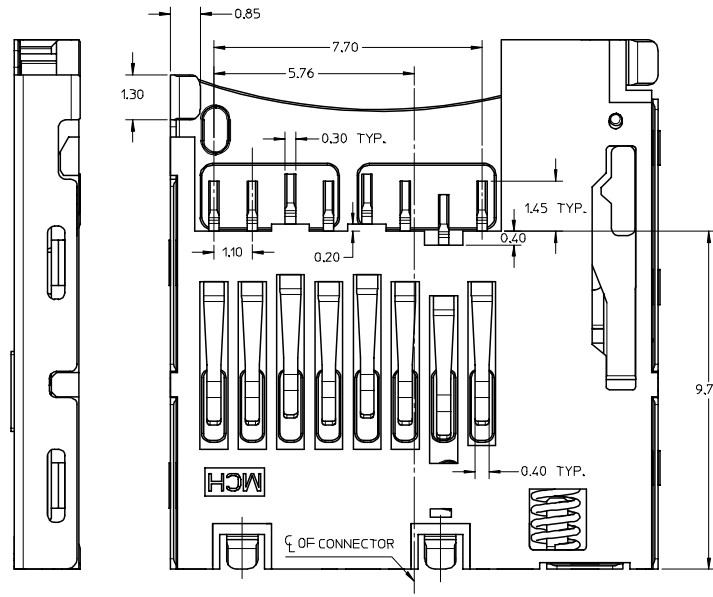
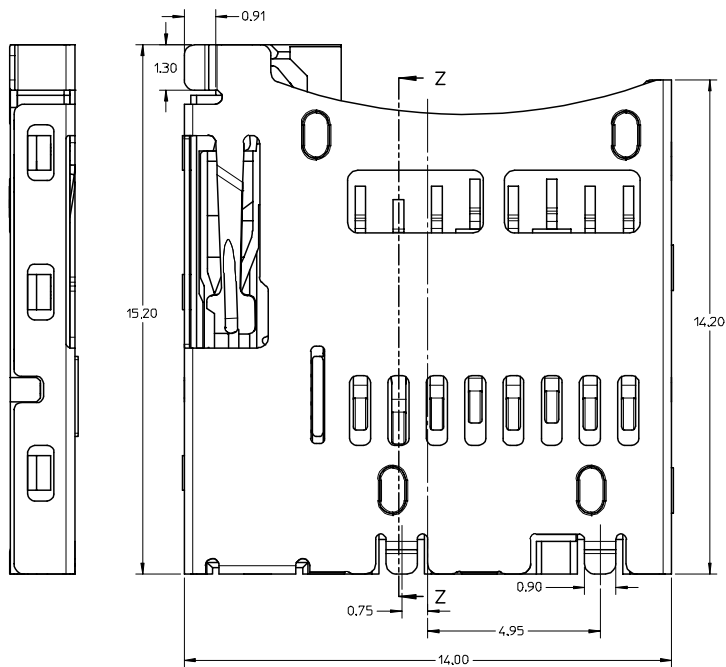
- NOTES:
- 1 MATERIAL:
 - 1-1 TERMINAL, FITTING NAIL : COPPER ALLOY.
 - 1-2 SHELL, CAM PIN, SPRING : STAINLESS STEEL.
 - 1-3 HOUSING : LCP, UL 94-V0, BLACK.
 - 1-4 CAM: NYLON 46.
 - 2 FINISH:
 - 2-1 TERMINAL : NICKEL UNDERPLATED, GOLD PLATING ON CONTACT AREA
TIN PLATING ON SOLDER TAIL
 - 2-2 SHELL : GOLD FLASH OVER NICKEL UNDERPLATED ON SOLDER PAD
 - 3 MECHANICAL SPECIFICATION:
 - REPEATED 5,000 TIMES MATING AND UNMATING CYCLES AND STILL MEET ELECTRICAL CHARACTERISTICS
 - 4 ELECTRICAL SPECIFICATION:
 - 4-1 RATED CURRENT (PER CONTACT) : 0.5AMPS MAX AND TEMPERATURE RISE SHOULD BE 30°C MAX
 - 4-2 INSULATION RESISTANCE(I.R) : 100 MEGOHMS MIN.
 - 4-3 DIELECTRIC WITHSTANDING VOLTAGE : 500 VAC
 - 4-4 CONTACT RESISTANCE: 100 MILLIOHMS MAX

REVISED EC NO: SF2012-0215 DRW:GLL CHKD: APPR:XJSONG 2012/01/05 2012/01/16	DESCRIPTION XJSONG	QUALITY SYMBOLS		GENERAL TOLERANCES (UNLESS SPECIFIED)		DIMENSION STYLE		SCALE	DESIGN UNITS	THIRD ANGLE PROJECTION																																
						MM ONLY		10:1	METRIC																																	
		$\nabla=0$ $\nabla=0$ $\nabla=0$		<table border="1"> <thead> <tr> <th></th> <th>mm</th> <th>INCH</th> </tr> </thead> <tbody> <tr> <td>4 PLACES</td> <td>±---</td> <td>±---</td> </tr> <tr> <td>3 PLACES</td> <td>±---</td> <td>±---</td> </tr> <tr> <td>2 PLACES</td> <td>±0.15</td> <td>±---</td> </tr> <tr> <td>1 PLACE</td> <td>±0.30</td> <td>±---</td> </tr> </tbody> </table>			mm	INCH	4 PLACES	±---	±---	3 PLACES	±---	±---	2 PLACES	±0.15	±---	1 PLACE	±0.30	±---	<table border="1"> <thead> <tr> <th>DRAWN BY</th> <th>DATE</th> <th>TITLE</th> </tr> </thead> <tbody> <tr> <td>GLLI</td> <td>2012/01/05</td> <td>TFR/MICRO SD CARD READER PUSH PUSH TYPE WITHOUT DETECT PIN</td> </tr> <tr> <th>CHECKED BY</th> <th>DATE</th> <td></td> </tr> <tr> <td></td> <td></td> <td></td> </tr> </tbody> </table>		DRAWN BY	DATE	TITLE	GLLI	2012/01/05	TFR/MICRO SD CARD READER PUSH PUSH TYPE WITHOUT DETECT PIN	CHECKED BY	DATE					<table border="1"> <thead> <tr> <th>APPROVED BY</th> <th>DATE</th> </tr> </thead> <tbody> <tr> <td>XJSONG</td> <td>2012/01/16</td> </tr> </tbody> </table>		APPROVED BY	DATE	XJSONG	2012/01/16	MOLEX INCORPORATED	
			mm	INCH																																						
4 PLACES	±---	±---																																								
3 PLACES	±---	±---																																								
2 PLACES	±0.15	±---																																								
1 PLACE	±0.30	±---																																								
DRAWN BY	DATE	TITLE																																								
GLLI	2012/01/05	TFR/MICRO SD CARD READER PUSH PUSH TYPE WITHOUT DETECT PIN																																								
CHECKED BY	DATE																																									
APPROVED BY	DATE																																									
XJSONG	2012/01/16																																									
DRAFT WHERE APPLICABLE MUST REMAIN WITHIN DIMENSIONS						MATERIAL NO. 47334-0001		DOCUMENT NO. SD-47334-001		SHEET NO. 2 OF 2																																
THIS DRAWING CONTAINS INFORMATION THAT IS PROPRIETARY TO MOLEX INCORPORATED AND SHOULD NOT BE USED WITHOUT WRITTEN PERMISSION																																										

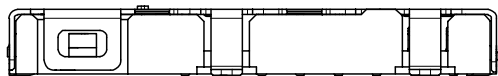


DETAIL 4

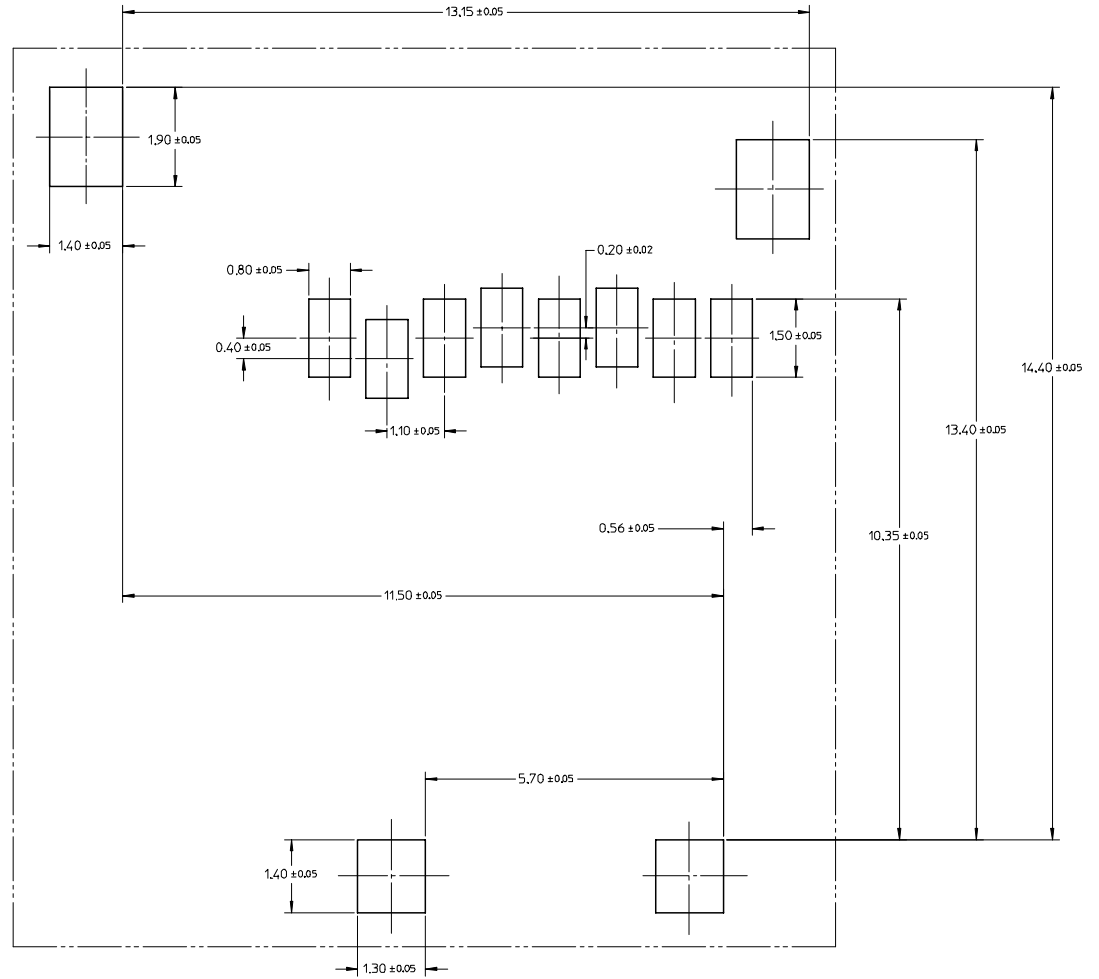
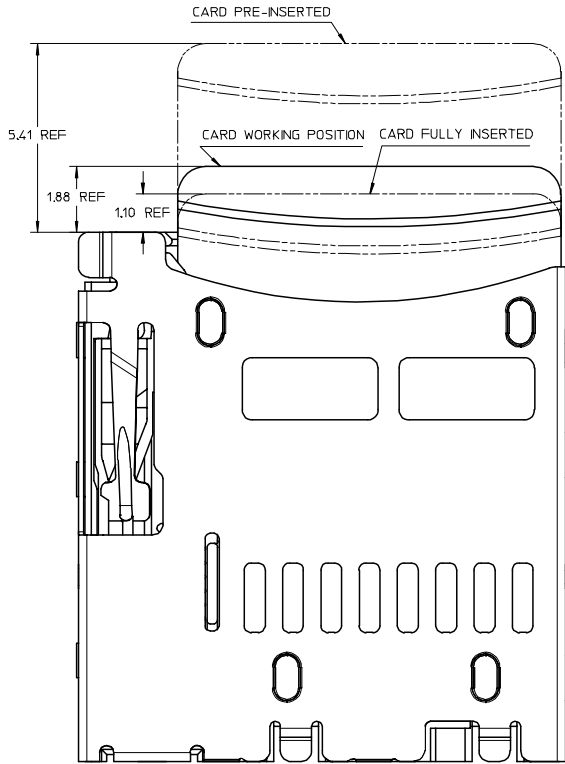
DETAIL 3



SECTION Z-Z



REVISED EEC NO. SH2007-0499 2007/02/12 CHFKO: XU XIANG APPR: JNCHEN 2007/03/16	DESCRIPTION TFR&MICRO SD CARD READER PUSH PUSH TYPE WITHOUT DETECT SWITCH	QUALITY SYMBOLS ▽=0 ▽=0		GENERAL TOLERANCES (UNLESS SPECIFIED)		DIMENSION STYLE MM ONLY		SCALE 5:1	DESIGN UNITS METRIC	THIRD ANGLE PROJECTION																			
		<table border="1"> <thead> <tr> <th></th> <th>mm</th> <th>INCH</th> </tr> </thead> <tbody> <tr> <td>4 PLACES</td> <td>± ---</td> <td>± ---</td> </tr> <tr> <td>3 PLACES</td> <td>± ---</td> <td>± ---</td> </tr> <tr> <td>2 PLACES</td> <td>± 0.15</td> <td>± ---</td> </tr> <tr> <td>1 PLACE</td> <td>± ---</td> <td>± ---</td> </tr> <tr> <td colspan="3">ANGULAR ±1/2°</td> </tr> </tbody> </table>			mm	INCH	4 PLACES	± ---	± ---	3 PLACES	± ---	± ---	2 PLACES	± 0.15	± ---	1 PLACE	± ---	± ---	ANGULAR ±1/2°			DRAWN BY XIXU		DATE 2006/03/25		TITLE TFR&MICRO SD CARD READER PUSH PUSH TYPE WITHOUT DETECT SWITCH			
			mm	INCH																									
		4 PLACES	± ---	± ---																									
3 PLACES	± ---	± ---																											
2 PLACES	± 0.15	± ---																											
1 PLACE	± ---	± ---																											
ANGULAR ±1/2°																													
CHECKED BY XIXU		DATE 2006/03/28		APPROVED BY JNCHEN		DATE 2006/03/29		MOLEX INCORPORATED																					
DRAFT WHERE APPLICABLE MUST REMAIN WITHIN DIMENSIONS		MATERIAL NO. 473340001		DOCUMENT NO. SD-47334-001		SHEET NO. 1 OF 2																							

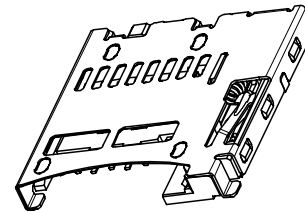
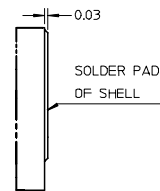
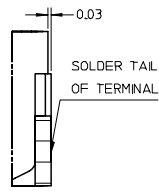
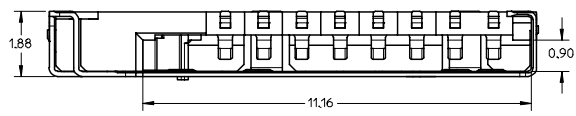


RECOMMENDED PCB LAYOUT

NOTES:

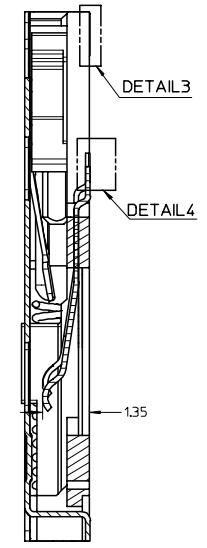
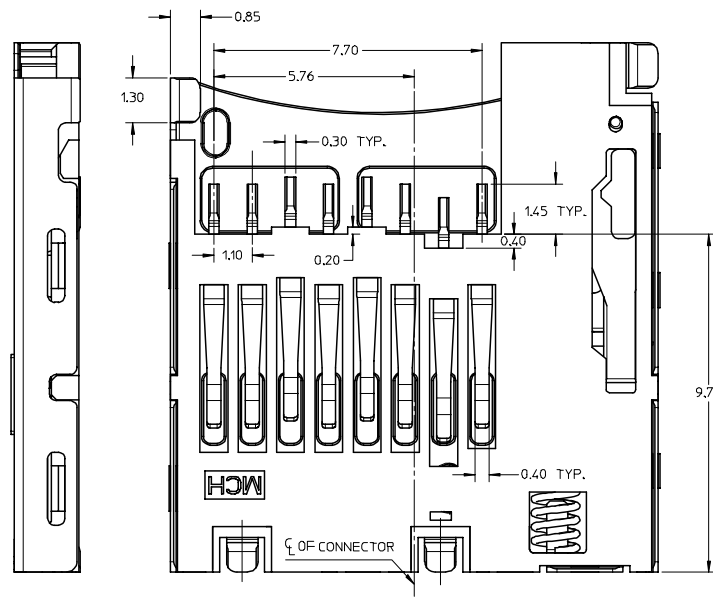
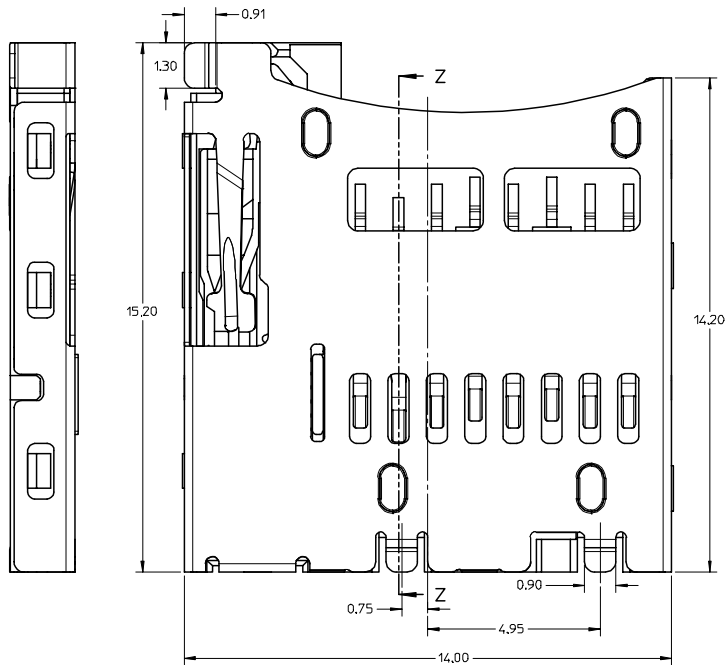
- 1 MATERIAL:
 - 1-1 TERMINAL, FITTING NAIL : COPPER ALLOY
 - 1-2 SHELL, CAM PIN, SPRING : STAINLESS STEEL
 - 1-3 HOUSING, CAM : LCP, UL 94-V0, BLACK
- 2 FINISH:
 - 2-1 TERMINAL : NICKEL UNDERPLATED, GOLD PLATING ON CONTACT AREA
TN PLATING ON SOLDER TAIL
 - 2-2 SHELL : GOLD FLASH OVER NICKEL UNDERPLATED ON SOLDER PAD
- 3 MECHANICAL SPECIFICATION:
 - REPEATED 5,000 TIMES MATING AND UNMATING CYCLES AND STILL MEET ELECTRICAL CHARACTERISTICS
- 4 ELECTRICAL SPECIFICATION:
 - 4-1 RATED CURRENT (PER CONTACT) : 0.5AMPS MAX AND TEMPERATURE RISE SHOULD BE 30°C MAX
 - 4-2 INSULATION RESISTANCE(IR) : 100 MEGOHMS MIN.
 - 4-3 DIELECTRIC WITHSTANDING VOLTAGE : 500 VAC
 - 4-4 CONTACT RESISTANCE: 100 MILLIOHMS MAX

REVISED EIC NO.: SH2007-0499 DRWN: ZHOU CHKD: XU XIANG APPR: JINCHEN 2007/02/12 2007/03/16	DESCRIPTION 2007/03/16	QUALITY SYMBOLS	GENERAL TOLERANCES (UNLESS SPECIFIED)	DIMENSION STYLE MM ONLY		SCALE 10:1	DESIGN UNITS METRIC	THIRD ANGLE PROJECTION																			
		$\nabla=0$ $\nabla=0$	<table border="1"> <tr> <th></th> <th>mm</th> <th>INCH</th> </tr> <tr> <td>4 PLACES</td> <td>±---</td> <td>±---</td> </tr> <tr> <td>3 PLACES</td> <td>±---</td> <td>±---</td> </tr> <tr> <td>2 PLACES</td> <td>±0.15</td> <td>±---</td> </tr> <tr> <td>1 PLACE</td> <td>±---</td> <td>±---</td> </tr> <tr> <td colspan="3">ANGULAR ±1/2°</td> </tr> </table>		mm	INCH	4 PLACES	±---	±---	3 PLACES	±---	±---	2 PLACES	±0.15	±---	1 PLACE	±---	±---	ANGULAR ±1/2°			DRAWN BY XIXU	DATE 2006/03/25	TITLE TFR&MICRO SD CARD READER PUSH PUSH TYPE WITHOUT DETECT SWITCH			
			mm	INCH																							
		4 PLACES	±---	±---																							
3 PLACES	±---	±---																									
2 PLACES	±0.15	±---																									
1 PLACE	±---	±---																									
ANGULAR ±1/2°																											
DRAFT WHERE APPLICABLE MUST REMAIN WITHIN DIMENSIONS		CHECKED BY XIXU	DATE 2006/03/28																								
		APPROVED BY JNCHEN		DATE 2006/03/29	MOLEX INCORPORATED MATERIAL NO.: 473340001 DOCUMENT NO.: SD-47334-001																						
				SIZE A2	THIS DRAWING CONTAINS INFORMATION THAT IS PROPRIETARY TO MOLEX INCORPORATED AND SHOULD NOT BE USED WITHOUT WRITTEN PERMISSION																						

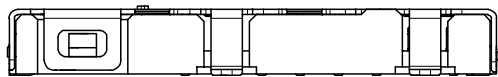


DETAIL 4

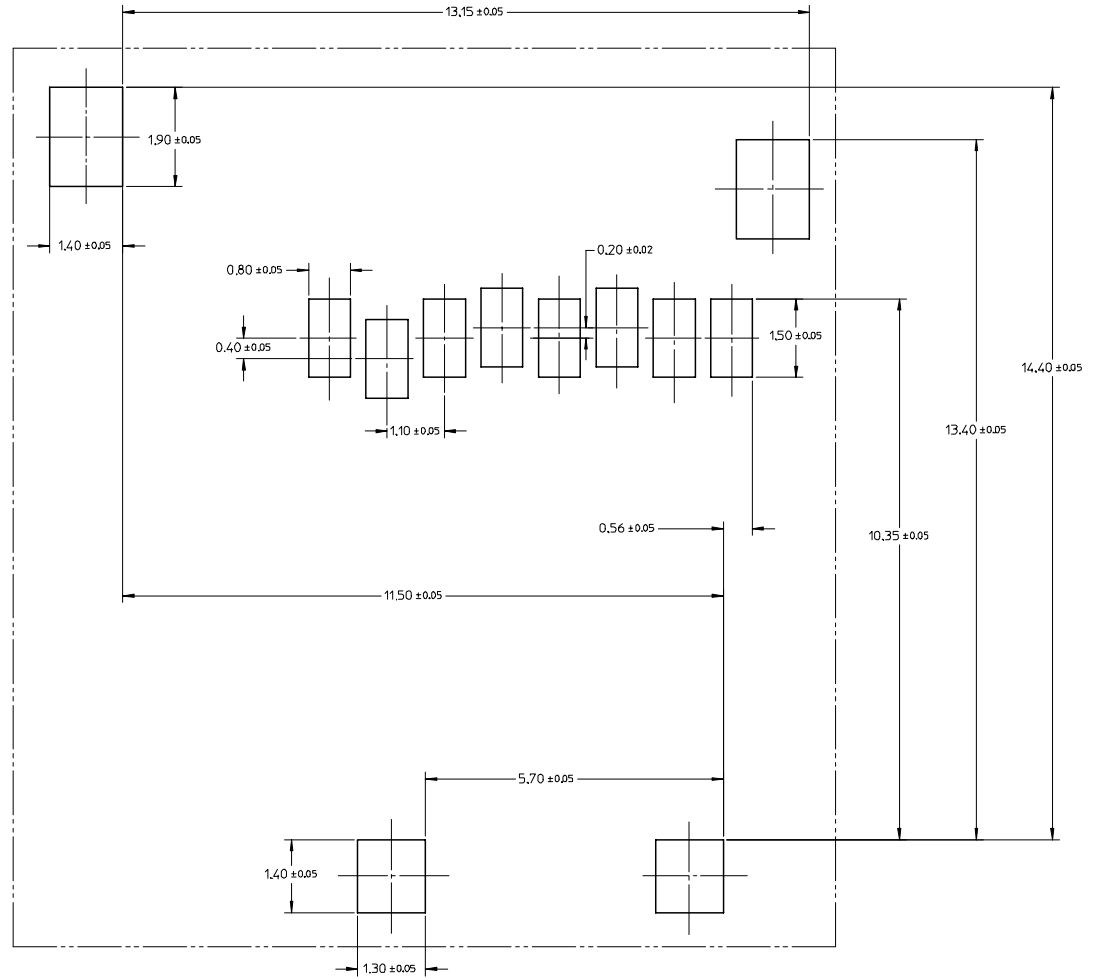
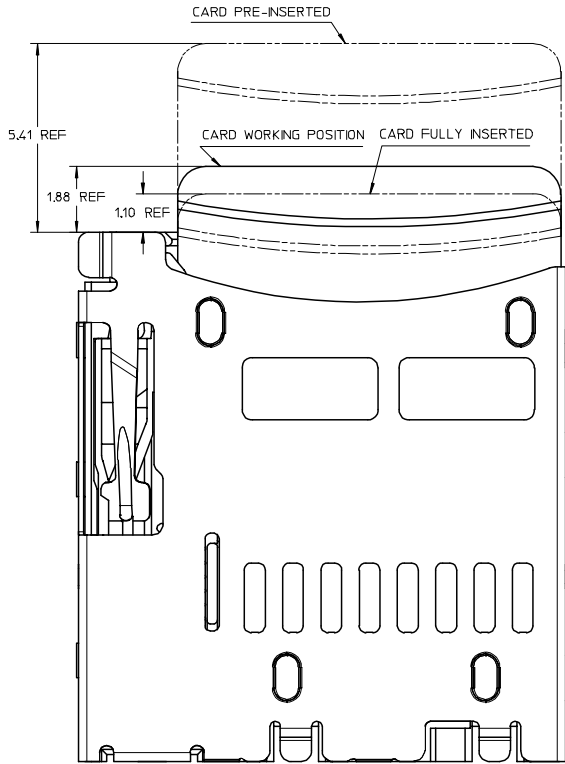
DETAIL 3



SECTION Z-Z



REVISED EEC NO.: SH2007-0499 DRAWN: ZHOU 2007/02/12 CHKD: XU XIANG APPR: JINCHEN 2007/03/16 REV DESCRIPTION	QUALITY SYMBOLS ▽=0 ▽=0		GENERAL TOLERANCES (UNLESS SPECIFIED)		DIMENSION STYLE MM ONLY		SCALE 5:1	DESIGN UNITS METRIC	THIRD ANGLE PROJECTION	
	4 PLACES	±	---	±	---	DRAWN BY	DATE	TITLE TFR&MICRO SD CARD READER PUSH PUSH TYPE WITHOUT DETECT SWITCH MOLEX INCORPORATED		
	3 PLACES	±	---	±	---	CHECKED BY	DATE			
	2 PLACES	±	0.15	±	---	XIXU	2006/03/28			
1 PLACE	±	---	±	---	JNCHEN	2006/03/29				
ANGULAR ±1/2°		DRAFT WHERE APPLICABLE MUST REMAIN WITHIN DIMENSIONS		MATERIAL NO. 473340001		DOCUMENT NO. SD-47334-001		SHEET NO. 1 OF 2		



RECOMMENDED PCB LAYOUT

NOTES:

- 1 MATERIAL:
 - 1-1 TERMINAL, FITTING NAIL : COPPER ALLOY
 - 1-2 SHELL, CAM PIN, SPRING : STAINLESS STEEL
 - 1-3 HOUSING, CAM : LCP, UL 94-V0, BLACK
- 2 FINISH:
 - 2-1 TERMINAL : NICKEL UNDERPLATED, GOLD PLATING ON CONTACT AREA
TIN PLATING ON SOLDER TAIL
 - 2-2 SHELL : GOLD FLASH OVER NICKEL UNDERPLATED ON SOLDER PAD
- 3 MECHANICAL SPECIFICATION:
 - REPEATED 5,000 TIMES MATING AND UNMATING CYCLES AND STILL MEET ELECTRICAL CHARACTERISTICS
- 4 ELECTRICAL SPECIFICATION:
 - 4-1 RATED CURRENT (PER CONTACT) : 0.5AMPS MAX AND TEMPERATURE RISE SHOULD BE 30°C MAX
 - 4-2 INSULATION RESISTANCE(IR) : 100 MEGOHMS MIN.
 - 4-3 DIELECTRIC WITHSTANDING VOLTAGE : 500 VAC
 - 4-4 CONTACT RESISTANCE: 100 MILLIOHMS MAX

REVISED EIC NO.: SH2007-0499 DRWN: ZHOU 2007/02/12 CHKD: XU XIANG APPR: JINCHEN 2007/03/16 REV	QUALITY SYMBOLS	GENERAL TOLERANCES (UNLESS SPECIFIED)	DIMENSION STYLE	SCALE	DESIGN UNITS	THIRD ANGLE PROJECTION																		
	$\nabla=0$ $\nabla=0$	<table border="1"> <tr> <th></th> <th>mm</th> <th>INCH</th> </tr> <tr> <td>4 PLACES</td> <td>± ---</td> <td>± ---</td> </tr> <tr> <td>3 PLACES</td> <td>± ---</td> <td>± ---</td> </tr> <tr> <td>2 PLACES</td> <td>± 0.15</td> <td>± ---</td> </tr> <tr> <td>1 PLACE</td> <td>± ---</td> <td>± ---</td> </tr> <tr> <td colspan="3">ANGULAR ±1/2°</td> </tr> </table>		mm	INCH	4 PLACES	± ---	± ---	3 PLACES	± ---	± ---	2 PLACES	± 0.15	± ---	1 PLACE	± ---	± ---	ANGULAR ±1/2°			MM ONLY	10:1	METRIC	
		mm	INCH																					
	4 PLACES	± ---	± ---																					
3 PLACES	± ---	± ---																						
2 PLACES	± 0.15	± ---																						
1 PLACE	± ---	± ---																						
ANGULAR ±1/2°																								
			DRAWN BY XIXU	DATE 2006/03/25	TITLE TFR&MICRO SD CARD READER PUSH PUSH TYPE WITHOUT DETECT SWITCH																			
			CHECKED BY XIXU	DATE 2006/03/28	APPROVED BY JNCHEN																			
			MATERIAL NO. 473340001		DOCUMENT NO. SD-47334-001																			
			DRAFT WHERE APPLICABLE MUST REMAIN WITHIN DIMENSIONS		SHEET NO. 2 OF 2																			