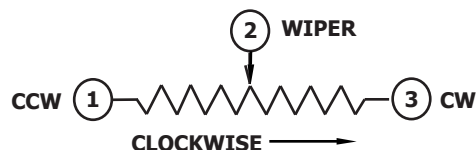
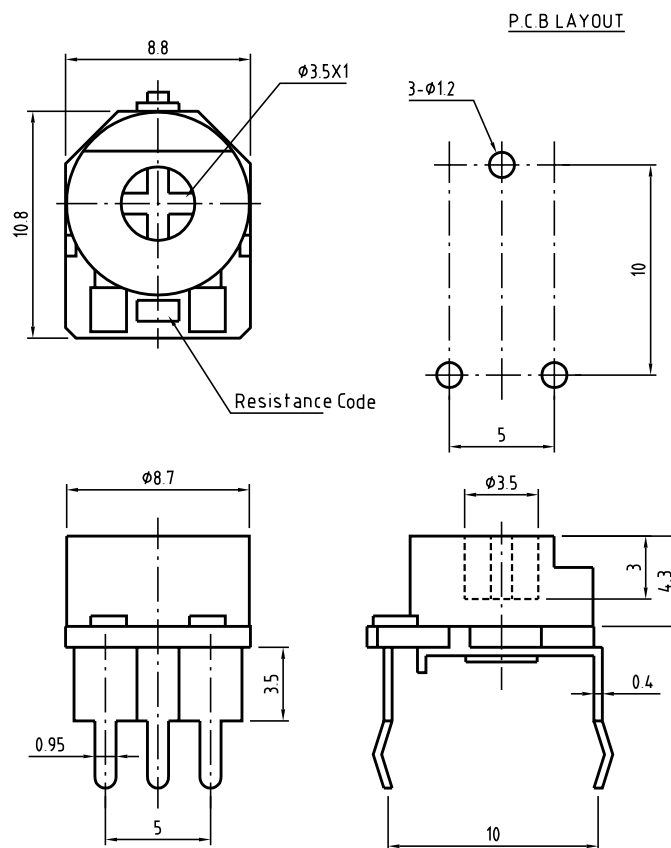


Features:

- Single-Turn Cermet Trimmer
- Horizontal and vertical mounting styles
- Dust resistant covers
- RoHS compliant version available, add suffix "LF" to part number.


Characteristics:

Electrical Characteristics	
Resistance Value & Tolerance	100Ω - 1MΩ ±20%
Taper	B Curve
Max Power Rating	0.5W (at 70°C)
Max Working Voltage	250V
Sliding Noise	47mV Under
Residual Resistance	10Ω @ R ≤ 1KΩ 1% @ R > 1KΩ
Mechanical Characteristics	
Outline & Drawing	as Drawing
Rotation Angle	260 ± 20 degree
Rotation Torque	30 - 300 gf-cm
Stopper Strength	10K gf-cm
Reliability Specifications	
Operation Life	30 cycle Resistance Value ±10%
Temperature Characteristics	3% @ 70°C 5HR
Temperature Coefficient	±150 ppm / °C
Humidity Characteristic	±5% @ 40°C 90-95% RH without lode ±7%
Resistance to Soldering Heat	Pass 350°C 3sec or 260°C 10 sec @ without any poor contact
Working Temperature	-40°C - 125°C
Terminal Strength	> 300 gf-cm
Temperature Cycle	±5% @ without load 25°C - -40°C 25°C - 125°C ±7%
Standard Packaging	500pcs, per bags


Part Numbering System

Part Number	Resistance (Ohms)	Part Number	Resistance (Ohms)
3309P-1-101__	100	3309P-1-203__	20,000
3309P-1-201__	200	3309P-1-253__	25,000
3309P-1-501__	500	3309P-1-503__	50,000
3309P-1-102__	1,000	3309P-1-104__	100,000
3309P-1-202__	2,000	3309P-1-204__	200,000
3309P-1-502__	5,000	3309P-1-254__	250,000
3309P-1-103__	10,000	3309P-1-105__	1,000,000

Nil = 90% Tin, 10% Lead plated
LF = 100% Tin plated (RoHS compliant)