



Features:

- 6mm (1/4") Square Multiturn.
- Cermet Trimmer/Industrial/Sealed.
- 3 Terminal Styles
- Chip Small Size
- RoHS compliant



Characteristics:

Electrical Characteristics	
Standard Resistance Range	10Ω ~ 1MΩ
Resistance Tolerance	±10%
Absolute Minimum Resistance	≤1% or 2Ω
Contact Resistance Variation	≤ 3% or 3Ω
Insulation Resistance	R1 ≥ 1GΩ
Withstand Voltage	500Vac
Effective Travel	12 turns nom.
Environmental Characteristics	
Power Rating(200 volts max)	0.25W @ 70°C 0W @ 125°C
Temperature Range	-55°C ~ 125°C
Temperature Coefficient	±100ppm/°C
Vibration	10 ~ 500Hz, 0.75mm, 6h ΔR ≤ 1%
Shock	390m/s ² , 4000 cycles, ΔR ≤ 1%
Electrical Endurance at 70°C	0.25W @ 70°C 1000h, ΔR ≤ 3%
Rotational Life	200 cycles ΔR ≤ 3%
Physical Characteristics	
Starting Torque	≤ 35mN
Flammability	UL94V-0
Marking	Resistance Code
Standard Packaging	50pcs, per tube

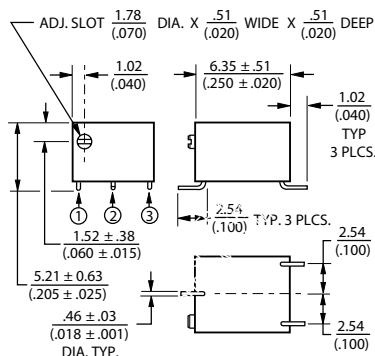
Dimensions:

Tolerances: ±0.25mm(0.01") IF NOT IDENTIFIED

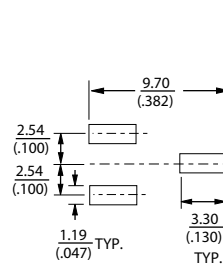
Units of dimensions: $\frac{\text{mm}}{\text{(inches)}}$

3269P

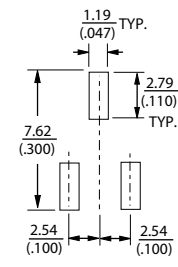
Common Dimensions



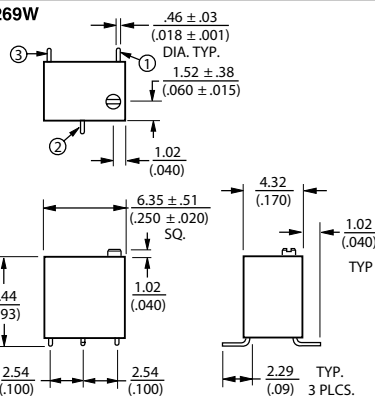
RECOMMENDED PCB LAYOUT - "P"



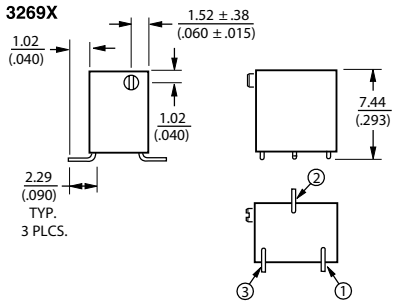
RECOMMENDED PCB LAYOUT - "W" & "X"



3269W



3269X

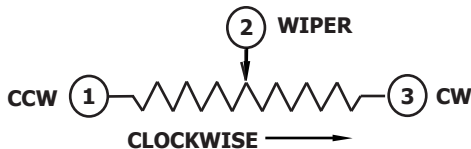


Part Numbering System

3269X - 1 - 103 - LF

LF = Lead Free

Model	Resistance Code	Resistance (Ohms)	Resistance Code	Resistance (Ohms)
3299P				
3299W	100	10	203	20,000
3299X	200	20	253	25,000
	500	50	503	50,000
	101	100	104	100,000
	201	200	204	200,000
	501	500	254	250,000
	102	1,000	504	500,000
	202	2,000	105	1,000,000
	502	5,000	205	2,000,000
	103	10,000		



Specifications are subject to change without notice. Customers should verify actual device performance in their specific applications.