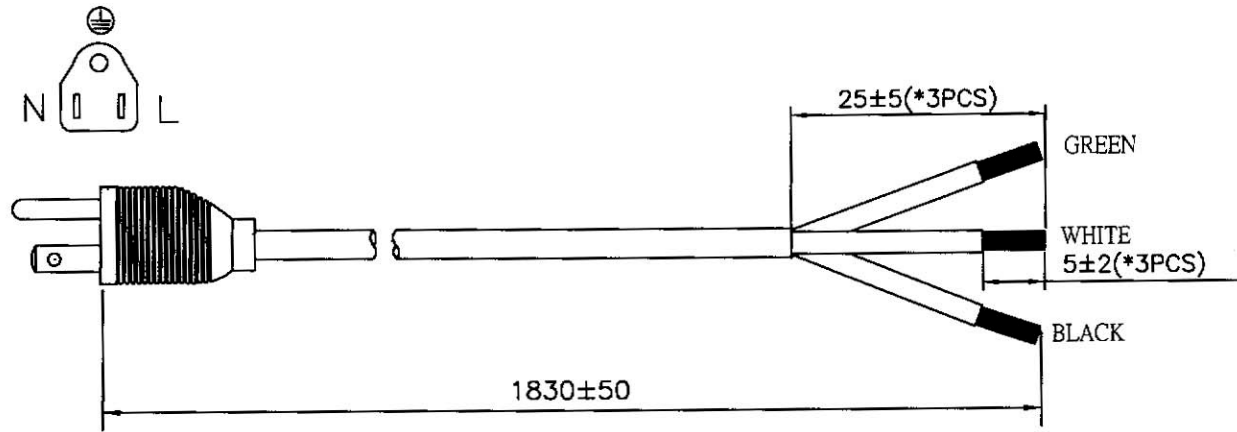


**Marking:**



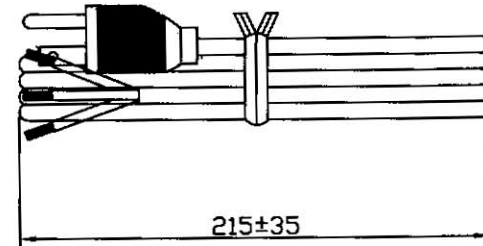
TA HSING  
TA-3  
E74893



**Marking:**

**CSA** SVT 1058C 300V LL38816 3x0.824mm<sup>2</sup> (18AWG) LF  
**UL** SVT E56356 1058C 300V 18AWGx3C

**Black jacket, 18AWG/3C SVT, 6' long, with stripped and tinned leads.**



TITLE		SCALE
18 AWG/3C SVT 6' POWER CORD		NTS
DRAWING NO.	31-031-0	
<b>CORDONIC</b> POWER CORDS		UNITS mm
		SHEET 1/1