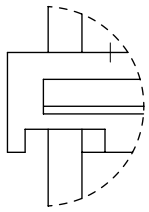
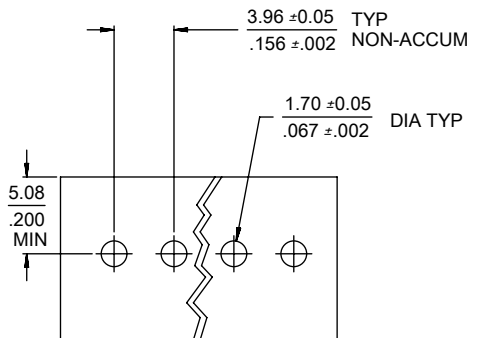


CKT	DIM. A	DIM. B	SLOT LOC BETWEEN CKTS
2	7.77 .306	3.96 ±0.05 .156 ±.002	NONE
3	11.73 .462	7.92 ±0.08 .312 ±.003	NONE
4	15.70 .618	11.89 ±0.08 .468 ±.003	NONE
5	19.66 .774	15.85 ±0.10 .624 ±.004	NONE
6	23.62 .930	19.81 ±0.10 .780 ±.004	3 & 4
7	27.58 1.086	23.77 ±0.10 .936 ±.004	4 & 5
8	31.55 1.242	27.74 ±0.13 1.092 ±.005	4 & 5
9	35.51 1.398	31.70 ±0.13 1.248 ±.005	5 & 6
10	39.47 1.554	35.66 ±0.13 1.404 ±.005	5 & 6
11	43.43 1.710	39.62 ±0.15 1.560 ±.006	6 & 7
12	47.40 1.866	43.59 ±0.15 1.716 ±.006	4 & 5 8 & 9
13	51.36 2.022	47.55 ±0.15 1.872 ±.006	4 & 5 9 & 10
14	55.32 2.178	51.51 ±0.18 2.028 ±.007	5 & 6 9 & 10
15	59.28 2.334	55.47 ±0.18 2.184 ±.007	5 & 6 10 & 11
16	63.25 2.490	59.44 ±0.18 2.340 ±.007	5 & 6 11 & 12
17	67.21 2.646	63.40 ±0.20 2.496 ±.008	6 & 7 11 & 12
18	71.17 2.802	67.36 ±0.20 2.652 ±.008	6 & 7 12 & 13



DETAIL Z  
SCALE 4:1



RECOMMENDED P.C. BOARD LAYOUT

- NOTES:
- MATERIAL: HEADER-GLASS FILLED POLYESTER, 94V-0, MOLDED NATURAL (WHITE).
  - FINISH:
    - (154-TIN) OVERALL TIN: 0.00254/.000100 MIN. OVER 0.00127/.000050 MIN NICKEL.
    - (197-TIN) OVERALL REFLOWED MATTE TIN: 0.00152/.000060 MIN. OVER 0.00127/.000050 MIN. NICKEL OVERALL.
    - (222-TIN) OVERALL MATTE TIN: 0.00254/.000100 MIN. OVER 0.00127/.000050 MIN NICKEL.
    - (208-15 GOLD) SELECT GOLD: 0.00038/.000015 MIN, SELECT TIN: 0.00254/.000100 MIN, OVERALL NICKEL UNDERPLATE: 0.00127/.000050 MIN.
    - (228-30 GOLD) SELECT GOLD: 0.00076/.000030 MIN, SELECT TIN: 0.00254/.000100 MIN, OVERALL NICKEL UNDERPLATE: 0.00127/.000050 MIN.
    - (241-20 GOLD) 0.00051/.000020 MIN. SELECT TIN: 0.00254/.000100 MIN. OVERALL NICKEL UNDERPLATE: 0.00127/.000050 MIN.
  - PRODUCT SPECIFICATION AND PROCESS PARAMETERS: SEE PS-08-50.
  - PACKAGING INFORMATION: SEE CHARTS.
  - SOLDERABILITY: PER SMES-152.
  - PIN PUSH-OUT FORCE: PRIOR TO SOLDERING, A 3 LB. MINIMUM FORCE (IN EITHER DIRECTION)
  - PARTS ARE STACKABLE END TO END ON 3.96/.156 CENTERS.
  - THIS PART CONFORMS TO CLASS B REQUIREMENTS OF COSMETIC SPECIFICATION PS-45499-002.
  - SLOTS ON BACKWALL ARE BETWEEN CIRCUITS. SEE CHART FOR LOCATION.
  - FEATURE MAY OR MAY NOT EXTEND ACROSS THE ENTIRE FACE OF THE PART "SEE DETAIL Z".

QUALITY SYMBOLS	THIS DRAWING CONTAINS INFORMATION THAT IS PROPRIETARY TO MOLEX ELECTRONIC TECHNOLOGIES, LLC AND SHOULD NOT BE USED WITHOUT WRITTEN PERMISSION												
	ADD 41791-0090 EC NO: 107107 DRWN: MKIPPER CHK'D: JBELL APPR: FSMITH	2016/08/01 2016/08/18 2016/08/25	GENERAL TOLERANCES (UNLESS SPECIFIED) DIMENSION UNITS: MM/IN SCALE: 2:1	DRWN BY: JSCHAFFER DATE: 2003/11/07 CHK'D BY: KSAMIEC DATE: 2003/11/07 APPR BY: MARGULIS DATE: 2003/11/07									
□ = 0 ▽ = 0 ▽ = 0 ▽ = 0 ▽ = 0 ▽ = 0 ▽ = 0 ▽ = 0 ▽ = 0	4 PLACES ± ± 3 PLACES ± ± 0.015 2 PLACES ± 0.25 ± 0.01 1 PLACES ± 0.38 ± 0 PLACES ± ±	ANGULAR TOL ± DRAFT WHERE APPLICABLE MUST REMAIN WITHIN DIMENSIONS	DRAWING SIZE: B THIRD ANGLE PROJECTION	<div style="text-align: center;"> </div> <p>KK 156 HEADER ASSEMBLY FRICTION LOCK VERTICAL SOLID BODY W/O PEGS</p> <p>PRODUCT CUSTOMER DRAWING</p> <table border="1"> <tr> <td>SERIES: 41791</td> <td>MATERIAL NUMBER: SEE CHART</td> <td>CUSTOMER: GENERAL MARKET</td> </tr> <tr> <td>DOCUMENT NUMBER: SDA-41791</td> <td>DOC TYPE: PSD</td> <td>DOC PART: 000</td> </tr> <tr> <td colspan="2">SHEET NUMBER: 1 OF *</td> <td></td> </tr> </table>	SERIES: 41791	MATERIAL NUMBER: SEE CHART	CUSTOMER: GENERAL MARKET	DOCUMENT NUMBER: SDA-41791	DOC TYPE: PSD	DOC PART: 000	SHEET NUMBER: 1 OF *		
SERIES: 41791	MATERIAL NUMBER: SEE CHART	CUSTOMER: GENERAL MARKET											
DOCUMENT NUMBER: SDA-41791	DOC TYPE: PSD	DOC PART: 000											
SHEET NUMBER: 1 OF *													

RELEASE STATUS	RELEASE DATE
----------------	--------------

OPTIONS	Group	A-41791-0002/0018	Group	A-41791-0019/0035	Group	A-41791-0036/0052	Group	A-41791-0059/0074
	Header No:	41790-0002/0018	Header No:	41790-0002/0018	Header No:	41790-0002/0018	Header No:	41790-0002/0018
	Pin No:	43294-0214	Pin No:	43294-0215	Pin No:	43294-0214	Pin No:	43294-0214
	Plating:	197 – TIN	Plating:	241 – GOLD	Plating:	197 – TIN	Plating:	197 – TIN
	Pin Length L	18.29 / .720	Pin Length L	18.29 / .720	Pin Length L	18.29 / .720	Pin Length L	18.29 / .720
	Mating M	11.43 / .450	Mating M	11.43 / .450	Mating M	11.43 / .450	Mating M	11.43 / .450
	Gold Loc G	N/A	Gold Loc G	6.85/ .270	Gold Loc G	N/A	Gold Loc G	N/A
	PC Tail P	3.56 / .140	PC Tail P	3.56 / .140	PC Tail P	3.56 / .140	PC Tail P	3.56 / .140
	Tin Loc T	OVERALL	Tin Loc T	4.06/ .160	Tin Loc T	OVERALL	Tin Loc T	OVERALL
	Voided Ckts	NONE	Voided Ckts	NONE	Voided Ckts	2	Voided Ckts	3
Pack Per	PK-41791-001	Pack Per	PK-41791-001	Pack Per	PK-41791-001	Pack Per	PK-41791-001	
Ckts	Material No	Engineer Number	Material No	Engineer Number	Material No	Engineer Number	Material No	Engineer Number
2	26-60-4020	A-41791-0002	26-61-4020	A-41791-0019	26-62-4020	A-41791-0036		
3	26-60-4030	A-41791-0003	26-61-4030	A-41791-0020	26-62-4030	A-41791-0037	26-62-4036	A-41791-0059
4	26-60-4040	A-41791-0004	26-61-4040	A-41791-0021	26-62-4040	A-41791-0038	26-62-4046	A-41791-0060
5	26-60-4050	A-41791-0005	26-61-4050	A-41791-0022	26-62-4050	A-41791-0039	26-62-4056	A-41791-0061
6	26-60-4060	A-41791-0006	26-61-4060	A-41791-0023	26-62-4060	A-41791-0040	26-62-4066	A-41791-0062
7	26-60-4070	A-41791-0007	26-61-4070	A-41791-0024	26-62-4070	A-41791-0041	26-62-4076	A-41791-0063
8	26-60-4080	A-41791-0008	26-61-4080	A-41791-0025	26-62-4080	A-41791-0042	26-62-4086	A-41791-0064
9	26-60-4090	A-41791-0009	26-61-4090	A-41791-0026	26-62-4090	A-41791-0043	26-62-4096	A-41791-0065
10	26-60-4100	A-41791-0010	26-61-4100	A-41791-0027	26-62-4100	A-41791-0044	26-62-4106	A-41791-0066
11	26-60-4110	A-41791-0011	26-61-4110	A-41791-0028	26-62-4110	A-41791-0045	26-62-4116	A-41791-0067
12	26-60-4120	A-41791-0012	26-61-4120	A-41791-0029	26-62-4120	A-41791-0046	26-62-4126	A-41791-0068
13	26-60-4130	A-41791-0013	26-61-4130	A-41791-0030	26-62-4130	A-41791-0047	26-62-4136	A-41791-0069
14	26-60-4140	A-41791-0014	26-61-4140	A-41791-0031	26-62-4140	A-41791-0048	26-62-4146	A-41791-0070
15	26-60-4150	A-41791-0015	26-61-4150	A-41791-0032	26-62-4150	A-41791-0049	26-62-4156	A-41791-0071
16	26-60-4160	A-41791-0016	26-61-4160	A-41791-0033	26-62-4160	A-41791-0050	26-62-4166	A-41791-0072
17	26-60-4170	A-41791-0017	26-61-4170	A-41791-0034	26-62-4170	A-41791-0051	26-62-4176	A-41791-0073
18	26-60-4180	A-41791-0018	26-61-4180	A-41791-0035	26-62-4180	A-41791-0052	26-62-4186	A-41791-0074

<b>R</b>	REV:	<u>ECM INFORMATION</u>	TITLE:	<b>KK 156 HEADER ASSEMBLY FRICTION LOCK VERTICAL SOLID BODY W/O PEGS</b>	SHEET No.		
		ECM NO.: 107107			<b>- 2 -</b>		
		DATE: 9/28/2016					
DOCUMENT NUMBER:		CREATED / REVISED BY:		CHECKED BY:		APPROVED BY:	
<b>SDA- 41791</b>		<b>MKIPPER</b>		<b>JBELL</b>		<b>FSMITH</b>	

OPTIONS	Group	A-41791-0086/0100	Group	A-41791-0309/0308	Group	A-41791-0464/0480	Group	A-41791-0481/0491
	Header No:	41790-0002/0018	Header No:	41790-0002/0018	Header No:	41790-0002/0018	Header No:	41790-0002/0012
	Pin No:	43294-0214	Pin No:	43294-0215	Pin No:	43294-0240	Pin No:	43294-0355
	Plating:	197 – TIN	Plating:	241 – GOLD	Plating:	197 – TIN	Plating:	154 – TIN
	Pin Length L	18.29 / .720	Pin Length L	18.29 / .720	Pin Length L	19.05 / .750	Pin Length L	22.35 / .880
	Mating M	11.43 / .450	Mating M	11.43 / .450	Mating M	11.43 / .450	Mating M	11.56 / .455
	Gold Loc G	N/A	Gold Loc G	6.85/ .270	Gold Loc G	N/A	Gold Loc G	N/A
	PC Tail P	3.56 / .140	PC Tail P	3.56 / .140	PC Tail P	4.32 / .170	PC Tail P	7.49 / .295
	Tin Loc T	OVERALL	Tin Loc T	4.06/ .160	Tin Loc T	OVERALL	Tin Loc T	OVERALL
	Voided Ckts	2, 4	Voided Ckts	2	Voided Ckts	NONE	Voided Ckts	NONE
Pack Per	PK-41791-001	Pack Per	PK-41791-001	Pack Per	PK-41791-001	Pack Per	PK-41791-002	
Ckts	Material No	Engineer Number	Material No	Engineer Number	Material No	Engineer Number	Material No	Engineer Number
2					26-60-4023	A-41791-0464	41791-0481	A-41791-0481
3			26-63-4031	A-41791-0310	26-60-4033	A-41791-0465	41791-0482	A-41791-0482
4	26-62-4041	A-41791-0086		A-41791-0311	26-60-4043	A-41791-0466	41791-0483	A-41791-0483
5	26-62-4051	A-41791-0087	26-63-4051	A-41791-0312	26-60-4053	A-41791-0467	41791-0484	A-41791-0484
6	26-62-4061	A-41791-0088	26-63-4061	A-41791-0313	26-60-4063	A-41791-0468	41791-0485	A-41791-0485
7		A-41791-0089	26-63-4071	A-41791-0314	26-60-4073	A-41791-0469	41791-0486	A-41791-0486
8	41791-0090	A-41791-0090		A-41791-0315	26-60-4083	A-41791-0470	41791-0487	A-41791-0487
9		A-41791-0091		A-41791-0316	26-60-4093	A-41791-0471	41791-0488	A-41791-0488
10	26-62-4101	A-41791-0092		A-41791-0317	26-60-4103	A-41791-0472	41791-0489	A-41791-0489
11		A-41791-0093		A-41791-0318	26-60-4113	A-41791-0473	41791-0490	A-41791-0490
12		A-41791-0094		A-41791-0319	26-60-4123	A-41791-0474	41791-0491	A-41791-0491
13		A-41791-0095		A-41791-0320	26-60-4133	A-41791-0475		
14		A-41791-0096		A-41791-0321	26-60-4143	A-41791-0476		
15		A-41791-0097		A-41791-0322	26-60-4153	A-41791-0477		
16		A-41791-0098		A-41791-0323	26-60-4163	A-41791-0478		
17		A-41791-0099		A-41791-0324	26-60-4173	A-41791-0479		
18		A-41791-0100		A-41791-0325	26-60-4183	A-41791-0480		

<b>R</b>	REV:	<u>ECM INFORMATION</u>	TITLE:	<b>KK 156 HEADER ASSEMBLY FRICTION LOCK VERTICAL SOLID BODY W/O PEGS</b>	SHEET No.
		ECM NO.: 107107			<b>- 3 -</b>
		DATE: 9/28/2016			
DOCUMENT NUMBER:		CREATED / REVISED BY:		CHECKED BY:	APPROVED BY:
<b>SDA- 41791</b>		<b>MKIPPER</b>		<b>JBELL</b>	<b>FSMITH</b>

OPTIONS	Group	A-41791-0583/0597	Group	A-41791-0598/0609	Group	A-41791-0638/0653	Group	A-41791-0773/0785
	Header No:	41790-0002/0018	Header No:	41790-0002/0018	Header No:	41790-0002/0018	Header No:	41790-0006/0018
	Pin No:	43294-0214	Pin No:	43294-0214	Pin No:	43294-0215	Pin No:	43294-0214
	Plating:	197 – TIN	Plating:	197 – TIN	Plating:	241 – GOLD	Plating:	197-TIN
	Pin Length L	18.29 / .720	Pin Length L	18.29 / .720	Pin Length L	18.29 / .720	Pin Length L	18.29/.720
	Mating M	11.43 / .450	Mating M	11.43 / .450	Mating M	11.43 / .450	Mating M	11.43/.450
	Gold Loc G	N/A	Gold Loc G	N/A	Gold Loc G	6.85/ .270	Gold Loc G	N/A
	PC Tail P	3.56 / .140	PC Tail P	3.56 / .140	PC Tail P	3.56 / .140	PC Tail P	3.56/.140
	Tin Loc T	OVERALL	Tin Loc T	OVERALL	Tin Loc T	4.06/ .160	Tin Loc T	OVERALL
	Voided Ckts	4	Voided Ckts	7	Voided Ckts	3	Voided Ckts	3, 6
	Pack Per	PK-41791-001	Pack Per	PK-41791-001	Pack Per	PK-41791-001	Pack Per	PK-41791-001
Ckts	Material No	Engineer Number	Material No	Engineer Number	Material No	Engineer Number	Item Number	
2								
3					26-63-4032	A-41791-0638		
4	27-62-4049	A-41791-0583			41791-0639	A-41791-0639		
5	27-62-4059	A-41791-0584			26-63-4052	A-41791-0640		
6	27-62-4069	A-41791-0585			26-63-4062	A-41791-0641		
7	27-62-4079	A-41791-0586	41791-0598	A-41791-0598	41791-0642	A-41791-0642	41791-0774	
8	27-62-4089	A-41791-0587	41791-0599	A-41791-0599	26-63-4082	A-41791-0643		
9	27-62-4099	A-41791-0588	27-66-4090	A-41791-0600	41791-0644	A-41791-0644		
10	27-62-4109	A-41791-0589	41791-0601	A-41791-0601	41791-0645	A-41791-0645		
11	27-62-4119	A-41791-0590	41791-0602	A-41791-0602	41791-0646	A-41791-0646		
12	27-62-4129	A-41791-0591	41791-0603	A-41791-0603	41791-0647	A-41791-0647		
13	27-62-4139	A-41791-0592	41791-0604	A-41791-0604	41791-0648	A-41791-0648		
14	27-62-4149	A-41791-0593	41791-0605	A-41791-0605	41791-0649	A-41791-0649		
15	27-62-4159	A-41791-0594	41791-0606	A-41791-0606	41791-0650	A-41791-0650		
16	27-62-4169	A-41791-0595	41791-0607	A-41791-0607	41791-0651	A-41791-0651		
17	27-62-4179	A-41791-0596	41791-0608	A-41791-0608	41791-0652	A-41791-0652		
18	27-62-4189	A-41791-0597	41791-0609	A-41791-0609	41791-0653	A-41791-0653		

<b>R</b>	REV:	<u>ECM INFORMATION</u>	TITLE:	<b>KK 156 HEADER ASSEMBLY FRICTION LOCK VERTICAL SOLID BODY W/O PEGS</b>	SHEET No.		
		ECM NO.: 107107			<b>- 4 -</b>		
		DATE: 9/28/2016					
DOCUMENT NUMBER:		CREATED / REVISED BY:		CHECKED BY:		APPROVED BY:	
<b>SDA- 41791</b>		<b>MKIPPER</b>		<b>JBELL</b>		<b>FSMITH</b>	

OPTIONS	Group	A-41791-0815/0831	Group	A-41791-0832/0848	Group	A-41791-0849/0865	Group	A-41791-0883/0891
	Header No:	41790-0002/0018	Header No:	41790-0002/0018	Header No:	41790-0002/0018	Header No:	41790-0010/0018
	Pin No:	43294-0661	Pin No:	43294-0209	Pin No:	43294-0210	Pin No:	43294-0214
	Plating:	197 – TIN	Plating:	208 – 15 GOLD	Plating:	228 – 30 GOLD	Plating:	197 – TIN
	Pin Length L	30.48 / 1.200	Pin Length L	18.29/. 720	Pin Length L	18.29/. 720	Pin Length L	18.29 / .720
	Mating M	11.43 / .450	Mating M	11.43/. 450	Mating M	11.43/. 450	Mating M	11.43 / .450
	Gold Loc G	N/A	Gold Loc G	6.86/. 270	Gold Loc G	6.86/. 270	Gold Loc G	N/A
	PC Tail P	15.75/ .620	PC Tail P	3.56/. 140	PC Tail P	3.56/. 140	PC Tail P	3.56 / .140
	Tin Loc T	OVERALL	Tin Loc T	4.06/. 160	Tin Loc T	4.06/. 160	Tin Loc T	OVERALL
	Voided Ckts	NONE	Voided Ckts	NONE	Voided CKts	NONE	Voided Ckts	10
Pack Per	PK-41791-003	Pack Per	PK-41791-001	Pack Per	PK-41791-001	Pack Per	PK-41791-001	
Ckts	Item Number	Material No	Engineer Number	Material No	Engineer Number	Item Number		
2	41791-0815	41791-0832	A-41791-0832	41791-0849	A-41791-0849			
3	41791-0816	41791-0833	A-41791-0833	41791-0850	A-41791-0850			
4	41791-0817	41791-0834	A-41791-0834	41791-0851	A-41791-0851			
5	41791-0818	41791-0835	A-41791-0835	41791-0852	A-41791-0852			
6	41791-0819	41791-0836	A-41791-0836	41791-0853	A-41791-0853			
7	41791-0820	41791-0837	A-41791-0837	41791-0854	A-41791-0854			
8	41791-0821	41791-0838	A-41791-0838	41791-0855	A-41791-0855			
9	41791-0822	41791-0839	A-41791-0839	41791-0856	A-41791-0856			
10	41791-0823	41791-0840	A-41791-0840	41791-0857	A-41791-0857	41791-0883		
11	41791-0824	41791-0841	A-41791-0841	41791-0858	A-41791-0858	41791-0884		
12	41791-0825	41791-0842	A-41791-0842	41791-0859	A-41791-0859	41791-0885		
13	41791-0826	41791-0843	A-41791-0843	41791-0860	A-41791-0860	41791-0886		
14	41791-0827	41791-0844	A-41791-0844	41791-0861	A-41791-0861	41791-0887		
15	41791-0828	41791-0845	A-41791-0845	41791-0862	A-41791-0862	41791-0888		
16	41791-0829	41791-0846	A-41791-0846	41791-0863	A-41791-0863	41791-0889		
17	41791-0830	41791-0847	A-41791-0847	41791-0864	A-41791-0864	41791-0890		
18	41791-0831	41791-0848	A-41791-0848	41791-0865	A-41791-0865	41791-0891		

<b>R</b>	REV:	<u>ECM INFORMATION</u>	<b>KK 156 HEADER ASSEMBLY FRICTION LOCK VERTICAL SOLID BODY W/O PEGS</b>	<u>SHEET No.</u> <b>- 5 -</b>
		ECM NO.: <b>107107</b>		
		DATE: <b>9/28/2016</b>		
<u>DOCUMENT NUMBER:</u> <b>SDA- 41791</b>		<u>CREATED / REVISED BY:</u> <b>MKIPPER</b>	<u>CHECKED BY:</u> <b>JBELL</b>	<u>APPROVED BY:</u> <b>FSMITH</b>

OPTIONS	Group	A-41791-0892/0908	Group	A-41791-0922/0933	Group	41791-0934/0948	Group	41791-0966/0976
	Header No:	41790-0002/0018	Header No:	41790-0007/0018	Header No:	41790-0004/0018	Header No:	41790-0007/0018
	Pin No:	43294-0299	Pin No:	43294-0214	Pin No:	43294-0209	Pin No:	43294-0214
	Plating:	208 – 15 GOLD	Plating:	197 – TIN	Plating:	208 – 15 GOLD	Plating:	197 – TIN
	Pin Length L	20.83 / .820	Pin Length L	18.29 / .720	Pin Length L	18.29/. 720	Pin Length L	18.29/. 720
	Mating M	11.43 / .450	Mating M	11.43 / .450	Mating M	11.43 / .450	Mating M	11.43/. 450
	Gold Loc G	6.83/. 270	Gold Loc G	N/A	Gold Loc G	6.86/ .270	Gold Loc G	N/A
	PC Tail P	6.10/ .240	PC Tail P	3.56 / .140	PC Tail P	3.56/. 140	PC Tail P	3.56/. 140
	Tin Loc T	6.35/ .250	Tin Loc T	OVERALL	Tin Loc T	4.06/. 160	Tin Loc T	OVERALL
	Voided Ckts	NONE	Voided Ckts	5, 7	Voided Ckts	4	Voided Ckts	3, 7, 8
Pack Per	PK-41791-002	Pack Per	PK-41791-001	Pack Per	PK-41791-001	Pack Per	PK-41791-001	
Ckts	Item Number	Item Number	Item Number	Item Number	Item Number	Item Number	Item Number	
2	41791-0892							
3	41791-0893							
4	41791-0894			41791-0934				
5	41791-0895			41791-0935				
6	41791-0896			41791-0936				
7	41791-0897	41791-0922		41791-0937				
8	41791-0898	41791-0923		41791-0938		41791-0966		
9	41791-0899	41791-0924		41791-0939		41791-0967		
10	41791-0900	41791-0925		41791-0940		41791-0968		
11	41791-0901	41791-0926		41791-0941		41791-0969		
12	41791-0902	41791-0927		41791-0942		41791-0970		
13	41791-0903	41791-0928		41791-0943		41791-0971		
14	41791-0904	41791-0929		41791-0944		41791-0972		
15	41791-0905	41791-0930		41791-0945		41791-0973		
16	41791-0906	41791-0931		41791-0946		41791-0974		
17	41791-0907	41791-0932		41791-0947		41791-0975		
18	41791-0908	41791-0933		41791-0948		41791-0976		

<b>R</b>	REV:	<u>ECM INFORMATION</u>	TITLE:	<b>KK 156 HEADER ASSEMBLY FRICTION LOCK VERTICAL SOLID BODY W/O PEGS</b>	SHEET No.
		ECM NO.: 107107			<b>- 6 -</b>
		DATE: 9/28/2016			
DOCUMENT NUMBER:		CREATED / REVISED BY:	CHECKED BY:	APPROVED BY:	
<b>SDA- 41791</b>		<b>MKIPPER</b>	<b>JBELL</b>	<b>FSMITH</b>	

OPTIONS	Group	41791-0977/0993	Group	41791-0994/1002	Group	A-41791-1036 / 1048	Group	A-41791-1049/1062
	Header No:	41790-0002/0018	Header No:	41790-0010/0018	Header No:	41790-0006 / 0018	Header No:	41790-0005/0018
	Pin No:	43294-0345	Pin No:	43294-0209	Pin No:	43294-0214	Pin No:	43294-0214
	Plating:	228 – 30 GOLD	Plating:	208 – 15 GOLD	Plating:	197 – TIN	Plating:	197 – TIN
	Pin Length L	22.10/. 870	Pin Length L	18.29/. 720	Pin Length L	18.29 / .720	Pin Length L	18.29 / .720
	Mating M	11.43/. 450	Mating M	11.43 / .450	Mating M	11.43 / .450	Mating M	11.43 / .450
	Gold Loc G	10.02/. 400	Gold Loc G	6.86/ .270	Gold Loc G	N/A	Gold Loc G	N/A
	PC Tail P	7.37/. 290	PC Tail P	3.56/. 140	PC Tail P	3.56 / .140	PC Tail P	3.56 / .140
	Tin Loc T	5.08/. 200	Tin Loc T	4.06/. 160	Tin Loc T	OVERALL	Tin Loc T	OVERALL
	Voided Ckts	None	Voided Ckts	3, 4, 5, 8, 9, 10	Voided Ckts	4, 6	Voided Ckts	2, 5
Pack Per	PK-41791-002	Pack Per	PK-41791-001	Pack Per	PK-41791-001	Pack Per	PK-41791-001	
Ckts	Item Number	Item Number	Material No	Engineer Number	Item Number			
2	41791-0977							
3	41791-0978							
4	41791-0979							
5	41791-0980							
6	41791-0981			A-41791-1036				
7	41791-0982		41791-1037	A-41791-1037	41791-1051			
8	41791-0983		41791-1038	A-41791-1038				
9	41791-0984			A-41791-1039				
10	41791-0985	41791-0994		A-41791-1040				
11	41791-0986	41791-0995		A-41791-1041				
12	41791-0987	41791-0996		A-41791-1042				
13	41791-0988	41791-0997		A-41791-1043				
14	41791-0989	41791-0998		A-41791-1044				
15	41791-0990	41791-0999		A-41791-1045				
16	41791-0991	41791-1000		A-41791-1046				
17	41791-0992	41791-1001		A-41791-1047				
18	41791-0993	41791-1002		A-41791-1048				

<b>R</b>	REV:	<u>ECM INFORMATION</u>	TITLE:	<b>KK 156 HEADER ASSEMBLY FRICTION LOCK VERTICAL SOLID BODY W/O PEGS</b>	SHEET No.
		ECM NO.: 107107			<b>- 7 -</b>
		DATE: 9/28/2016			
DOCUMENT NUMBER:		CREATED / REVISED BY:	CHECKED BY:	APPROVED BY:	
<b>SDA- 41791</b>		<b>MKIPPER</b>	<b>JBELL</b>	<b>FSMITH</b>	

OPTIONS	Group	A-41791-1063/1071	Group	A-41791-1074/1088	Group	A-41791-1089/1105	Group	A-41791-1107
	Header No:	41790-0010/0018	Header No:	41790-0004/0018	Header No:	41790-0002/0018	Header No:	41790-0006/0018
	Pin No:	43294-0214	Pin No:	43294-0215	Pin No:	43294-0212	Pin No:	43294-0213
	Plating:	197 – TIN	Plating:	241 – GOLD	Plating:	222 – TIN	Plating:	154 – TIN
	Pin Length L	18.29 / .720	Pin Length L	18.29 / .720	Pin Length L	18.29 / .720	Pin Length L	18.29 / .720
	Mating M	11.43 / .450	Mating M	11.43 / .450	Mating M	11.43 / .450	Mating M	11.43 / .450
	Gold Loc G	N/A	Gold Loc G	6.85/ .270	Gold Loc G	N/A	Gold Loc G	N/A
	PC Tail P	3.56 / .140	PC Tail P	3.56 / .140	PC Tail P	3.56 / .140	PC Tail P	3.56 / .140
	Tin Loc T	OVERALL	Tin Loc T	4.06/ .160	Tin Loc T	OVERALL	Tin Loc T	OVERALL
	Voided Ckts	5, 10	Voided Ckts	2, 3, 4	Voided Ckts	NONE	Voided Ckts	6
Pack Per	PK-41791-001	Pack Per	PK-41791-001	Pack Per	PK-41791-001	Pack Per	PK-41791-001	
Ckts	Item Number		Item Number		Item Number		Item Number	
2					41791-1089			
3					41791-1090			
4					41791-1091			
5			41791-1075					
6					41791-1093			
7							41791-1107	
8					41791-1095			
9					41791-1096			
10					41791-1097			
11	41791-1064				41791-1098			
12					41791-1099			
13								
14								
15								
16					41791-1103			
17								
18					41791-1105			

<b>R</b>	REV:	<u>ECM INFORMATION</u>	TITLE:	<b>KK 156 HEADER ASSEMBLY FRICTION LOCK VERTICAL SOLID BODY W/O PEGS</b>	SHEET No.		
		ECM NO.: 107107			<b>- 8 -</b>		
		DATE: 9/28/2016					
DOCUMENT NUMBER:		CREATED / REVISED BY:		CHECKED BY:		APPROVED BY:	
<b>SDA- 41791</b>		<b>MKIPPER</b>		<b>JBELL</b>		<b>FSMITH</b>	



OPTIONS	Group	A-41791-1120	Group	A-41791-1134	Group	A-41791-1150	Group	A-41791-1165
	Header No:	41790-0006	Header No:	41790-0004	Header No:	41790-0005	Header No:	41790-0006
	Pin No:	43294-0213	Pin No:	43294-0213	Pin No:	43294-0210	Pin No:	43294-0239
	Plating:	154 – TIN	Plating:	154 – TIN	Plating:	228 – 30 GOLD	Plating:	154 – TIN
	Pin Length L	18.29 / .720	Pin Length L	18.29 / .720	Pin Length L	18.29/. 720	Pin Length L	19.05 / .750
	Mating M	11.43 / .450	Mating M	11.43 / .450	Mating M	11.43/. 450	Mating M	11.43 / .450
	Gold Loc G	N/A	Gold Loc G	N/A	Gold Loc G	6.85/. 270	Gold Loc G	N/A
	PC Tail P	3.56 / .140	PC Tail P	3.56 / .140	PC Tail P	3.56/. 140	PC Tail P	4.32 / .170
	Tin Loc T	OVERALL	Tin Loc T	OVERALL	Tin Loc T	4.06/. 160	Tin Loc T	OVERALL
	Voided Ckts	2, 5	Voided Ckts	2, 3	Voided Ckts	2, 4	Voided Ckts	2, 3, 5
Pack Per	PK-41791-001	Pack Per	PK-41791-001	Pack Per	PK-41791-001	Pack Per	PK-41791-001	
Ckts	Item Number		Item Number		Item Number		Item Number	
2								
3								
4			41791-1134					
5					41791-1150			
6	41791-1120						41791-1165	
7								
8								
9								
10								
11								
12								
13								
14								
15								
16								
17								
18								

<b>R</b>	REV:	<u>ECM INFORMATION</u>	<u>TITLE:</u>	<b>KK 156 HEADER ASSEMBLY FRICTION LOCK VERTICAL SOLID BODY W/O PEGS</b>	<u>SHEET No.</u>
		ECM NO.: 107107			<b>- 9 -</b>
		DATE: 9/28/2016			
<u>DOCUMENT NUMBER:</u>		<u>CREATED / REVISED BY:</u>	<u>CHECKED BY:</u>	<u>APPROVED BY:</u>	
<b>SDA- 41791</b>		<b>MKIPPER</b>	<b>JBELL</b>	<b>FSMITH</b>	

OPTIONS	Group	A-41791-1179	Group	A-41791-1189	Group	A-41791-1203	Group	A-41791-1215
	Header No:	41790-0008/0018	Header No:	41790-0006/0018	Header No:	41790-0009/0018	Header No:	41790-0006/0018
	Pin No:	43294-0214	Pin No:	43294-0240	Pin No:	43294-0240	Pin No:	43294-0240
	Plating:	197 – TIN	Plating:	197 – TIN	Plating:	197 – TIN	Plating:	197 – TIN
	Pin Length L	18.29 / .720	Pin Length L	19.05 / .750	Pin Length L	19.05 / .750	Pin Length L	19.05 / .750
	Mating M	11.43 / .450	Mating M	11.43 / .450	Mating M	11.43 / .450	Mating M	11.43 / .450
	Gold Loc G	N/A	Gold Loc G	N/A	Gold Loc G	N/A	Gold Loc G	N/A
	PC Tail P	3.56 / .140	PC Tail P	4.32 / .170	PC Tail P	4.32 / .170	PC Tail P	4.32 / .170
	Tin Loc T	OVERALL	Tin Loc T	OVERALL	Tin Loc T	OVERALL	Tin Loc T	OVERALL
	Voided Ckts	2,4,8	Voided Ckts	2,3,4,5	Voided Ckts	4,5,7,9	Voided Ckts	2,4,6
Pack Per	PK-41791-001	Pack Per	PK-41791-001	Pack Per	PK-41791-001	Pack Per	PK-41791-001	
Ckts	Item Number		Item Number		Item Number		Item Number	
2								
3								
4								
5								
6			41791-1189					
7								
8								
9	41791-1179						41791-1215	
10					41791-1203			
11								
12								
13								
14								
15								
16								
17								
18								

<b>R</b>	REV:	<u>ECM INFORMATION</u>	<u>TITLE:</u>	<b>KK 156 HEADER ASSEMBLY FRICTION LOCK VERTICAL SOLID BODY W/O PEGS</b>	<u>SHEET No.</u>
		ECM NO.: 107107			<b>- 10 -</b>
		DATE: 9/28/2016			
<u>DOCUMENT NUMBER:</u>		<u>CREATED / REVISED BY:</u>	<u>CHECKED BY:</u>	<u>APPROVED BY:</u>	
<b>SDA- 41791</b>		<b>MKIPPER</b>	<b>JBELL</b>	<b>FSMITH</b>	

OPTIONS	Group	A-41791-1228	Group	A-41791-1240	Group	A-41791-1256	Group	A-41791-1264/1274
	Header No:	41790-0005/0018	Header No:	41790-0007	Header No:	41790-0012	Header No:	41790-0004/0014
	Pin No:	43294-0214	Pin No:	43294-0214	Pin No:	43294-0214	Pin No:	43294-0214
	Plating:	197 – TIN	Plating:	197 – TIN	Plating:	197 – TIN	Plating:	197 – TIN
	Pin Length L	18.29 / .720	Pin Length L	18.29 / .720	Pin Length L	18.29 / .720	Pin Length L	18.29 / .720
	Mating M	11.43 / .450	Mating M	11.43 / .450	Mating M	11.43 / .450	Mating M	11.43 / .450
	Gold Loc G	N/A	Gold Loc G	N/A	Gold Loc G	N/A	Gold Loc G	N/A
	PC Tail P	3.56 / .140	PC Tail P	3.56 / .140	PC Tail P	3.56 / .140	PC Tail P	3.56 / .140
	Tin Loc T	OVERALL	Tin Loc T	OVERALL	Tin Loc T	OVERALL	Tin Loc T	OVERALL
	Voided Ckts	4,5	Voided Ckts	2,3,5,6	Voided Ckts	8	Voided Ckts	2,3
Pack Per	PK-41791-001	Pack Per	PK-41791-001	Pack Per	PK-41791-001	Pack Per	PK-41791-001	
Ckts	Item Number		Item Number		Item Number		Item Number	
2								
3								
4							41791-1264	
5								
6								
7			41791-1240					
8	41791-1228							
9								
10								
11								
12					41791-1256			
13								
14							41791-1274	
15								
16								
17								
18								

<b>R</b>	REV:	<u>ECM INFORMATION</u>	<u>TITLE:</u>	<b>KK 156 HEADER ASSEMBLY FRICTION LOCK VERTICAL SOLID BODY W/O PEGS</b>	<u>SHEET No.</u>
		ECM NO.: 107107			<b>- 11 -</b>
		DATE: 9/28/2016			
<u>DOCUMENT NUMBER:</u>		<u>CREATED / REVISED BY:</u>	<u>CHECKED BY:</u>	<u>APPROVED BY:</u>	
<b>SDA- 41791</b>		<b>MKIPPER</b>	<b>JBELL</b>	<b>FSMITH</b>	

OPTIONS	Group	A-41791-1285	Group	A-41791-1307/1316	Group	A-41791-1318	Group	A-41791-1333
	Header No:	41790-0017	Header No:	41790-0009/0018	Header No:	41790-0005	Header No:	41790-0007
	Pin No:	43294-0214	Pin No:	43294-0214	Pin No:	43294-0214	Pin No:	43294-0214
	Plating:	197 – TIN	Plating:	197 – TIN	Plating:	197 – TIN	Plating:	197 – TIN
	Pin Length L	18.29 / .720	Pin Length L	18.29 / .720	Pin Length L	18.29 / .720	Pin Length L	18.29 / .720
	Mating M	11.43 / .450	Mating M	11.43 / .450	Mating M	11.43 / .450	Mating M	11.43 / .450
	Gold Loc G	N/A	Gold Loc G	N/A	Gold Loc G	N/A	Gold Loc G	N/A
	PC Tail P	3.56 / .140	PC Tail P	3.56 / .140	PC Tail P	3.56 / .140	PC Tail P	3.56 / .140
	Tin Loc T	OVERALL	Tin Loc T	OVERALL	Tin Loc T	OVERALL	Tin Loc T	OVERALL
	Voided Ckts	11	Voided Ckts	5,9	Voided Ckts	2,3,4	Voided Ckts	3,5,6
	Pack Per	PK-41791-001	Pack Per	PK-41791-001	Pack Per	PK-41791-001	Pack Per	PK-41791-001
Ckts	Item Number		Item Number		Item Number		Item Number	
2								
3								
4								
5					41791-1318			
6								
7							41791-1333	
8								
9								
10								
11								
12								
13								
14			41791-1312					
15								
16								
17	41791-1285							
18								

<b>R</b>	REV:	<u>ECM INFORMATION</u>	<u>TITLE:</u>	<b>KK 156 HEADER ASSEMBLY FRICTION LOCK VERTICAL SOLID BODY W/O PEGS</b>	<u>SHEET No.</u>
		ECM NO.: 107107			<b>- 12 -</b>
		DATE: 9/28/2016			
<u>DOCUMENT NUMBER:</u>		<u>CREATED / REVISED BY:</u>		<u>CHECKED BY:</u>	
<b>SDA- 41791</b>		<b>MKIPPER</b>		<b>JBELL</b>	
				<u>APPROVED BY:</u>	
				<b>FSMITH</b>	