



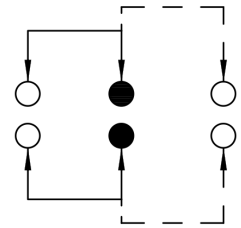
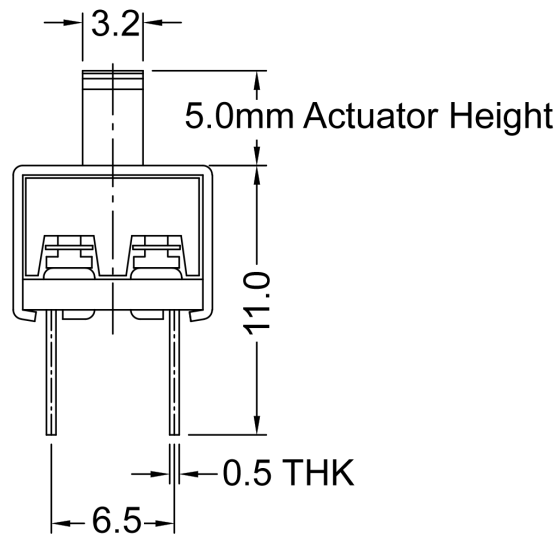
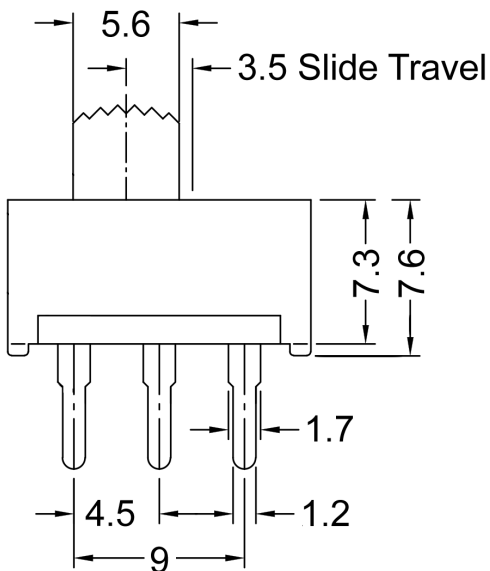
SPECIFICATION:

- Circuit: DPDT
- Switch Function: On-On
- Current Rating: 3A (AC)
- Voltage Rating: 250VAC
- Actuator Length: 5.0mm
- Switch Travel: 3.5mm
- Mechanical Life: 10,000 Cycles
- Electrical Life: 6,000 Cycles
- Operation Temperature Range: -10°C to +104°C
- PC Pin

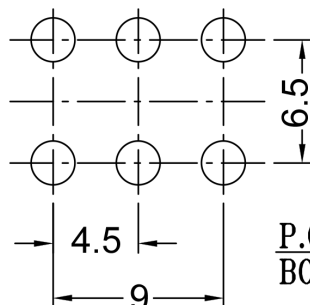
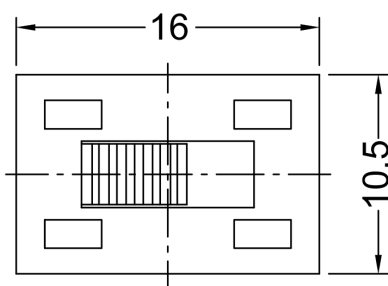
MATERIAL:

- Contact: Copper
- Contact Finish: Silver
- Actuator: Polyamide (PA66), Nylon 6/6

DIMENSIONS (Units:mm)



SCHEMATIC (NON-SHORTING)



P.C.B LAYOUT
BOTTOM VIEW