

Ceramic Resonator

ZTA Series

MEC Crystals

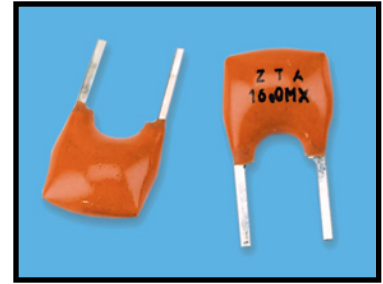
(Without Built-in Capacitors)

Features:

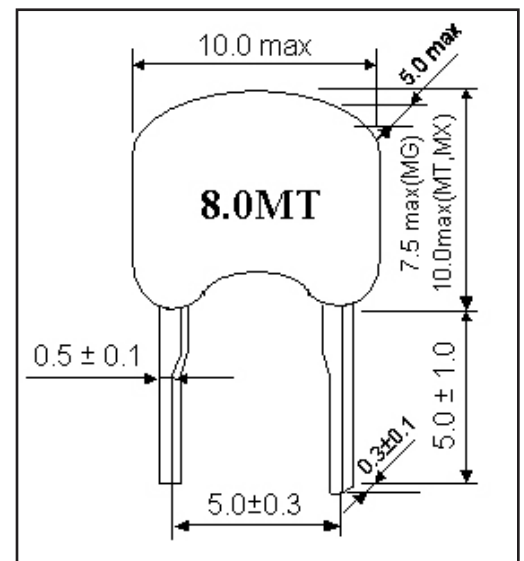
- Low cost.
- Industry standard dimensions.
- Wide frequency range.
- Good stability.
- Radial tapering available.
- **RoHs Compliant (Pb Free)**
- **Exemption according to RoHs Directive 2002/95/EC Annex point 7**

Electrical Specifications:

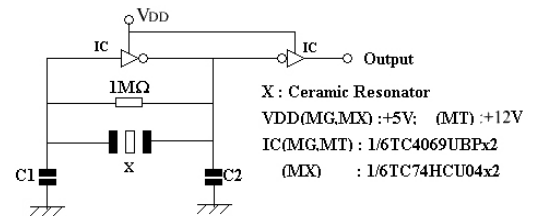
Part Number *	Frequency Range (MHz)	
ZTA _ - _ _ MG	1.80 - 6.01	
ZTA _ - _ _ MT	6.01 - 13.00	
ZTA _ - _ _ MX	13.01 - 50.00	
Resonant Resistance (ESR) by Frequency Range	1.80 - 1.99MHz	≤100Ω
	2.00 - 2.99MHz	≤80Ω
	3.00 - 3.49MHz	≤50Ω
	3.50 - 6.99MHz	≤30Ω
	7.00 - 12.99MHz	≤25Ω
	13.00 - 50.00MHz	≤40Ω
Standard C1 = C2 Capacitance Values (±20%)	1.80 - 12.99MHz	30pF
	13.00 - 19.99MHz	30pF
	20.00 - 25.99MHz	15pF
	26.00 - 50.00MHz	5pF
Operating Temperature	- 20°C to 80°C	
Storage Temperature	- 55°C to 85°C	
Frequency Tolerance (at 25°C)	± 0.5% max.	
Frequency Stability (-20°C to 80°C)	± 0.3% max.	
Aging for 10 years	± 0.3% max.	
Rating Voltage	DC Voltage 6VDC AC Voltage 15Vpp	
Withstanding Voltage	100 VDC, 5 sec max.	
Insulation Resistance	500MΩ min. at 10VDC	
Optional Features	Tape & reel	



Dimensions (mm):



Test Circuit:



Part Numbering System:

ZTA **25.00** **MG** **TR**
 ① ② ③ ④

① Series

ZTA

② Frequency

Frequency
1.80 ~ 50.00

③ Type

Type
MG
MT
MX

④ Packing

Code	Packing
Nil	Bulk
TR	Tape & Reel

Remark: Specifications are subject to change without prior notice. Please confirm with our sales engineer.