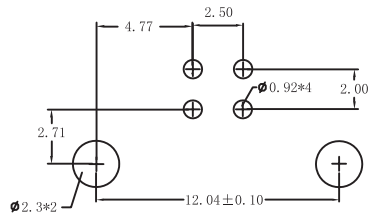
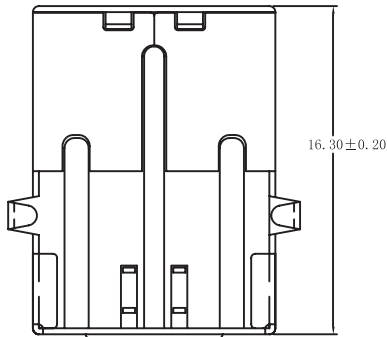
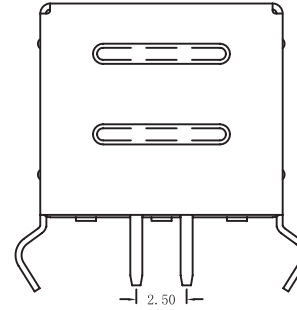
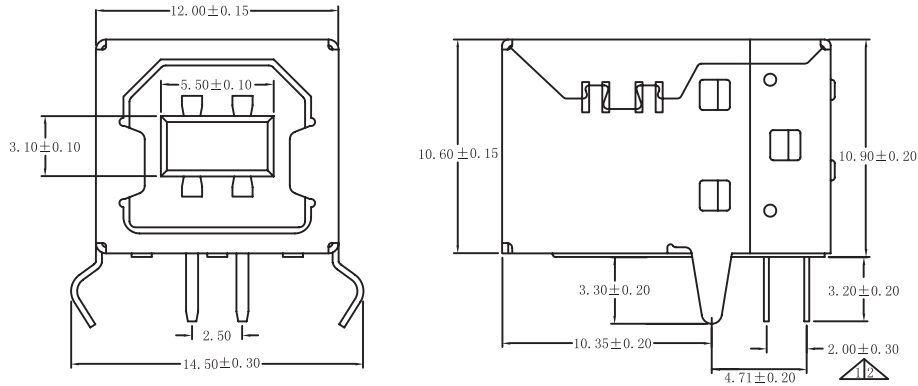


USB Right Angle, Female, 4 Pins, B Type UR-04B-F Series



Specifications

Current Rating: 1.5A
 Contact Resistance: 30m Ohms Max.
 Insulation Resistance: 2000M Ohms Min. at 250V DC
 Dielectric Withstanding Voltage: AC 750V / Min R.M.S.
 Operating Temperature: -50°C to $+105^{\circ}\text{C}$
 Insulator: PBT, UL94V-0 / PBT
 Contact: Phosphor Bronze
 Contact Plating: Gold / Tin Plated
 Shell: Brass
 Shell Plating: Nickel Plated
 Mating Force: 35 Newtons Max.
 Unmating Force: 10 Newtons Min.
 Recommended PC Board Thickness: 1.57mm
 General Tolerance: $\pm 0.1 / 0.004$

Part Numbering System

