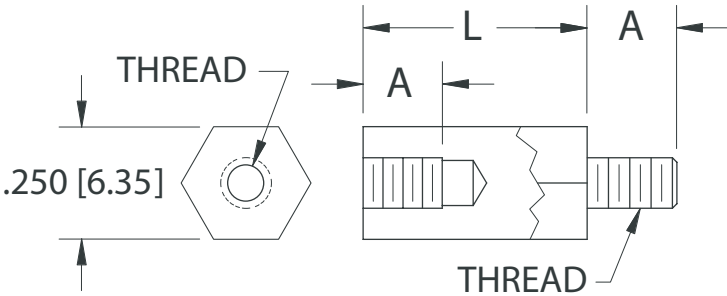


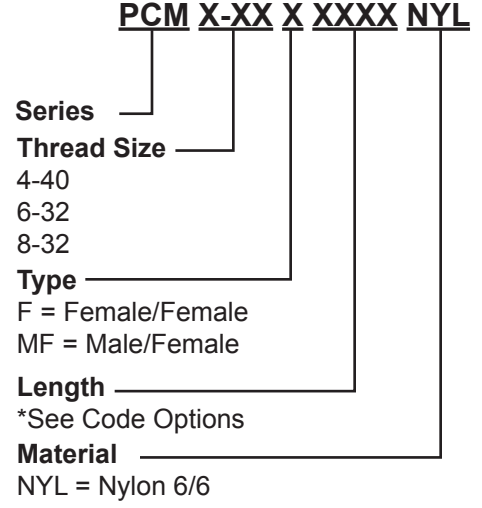
Male / Female



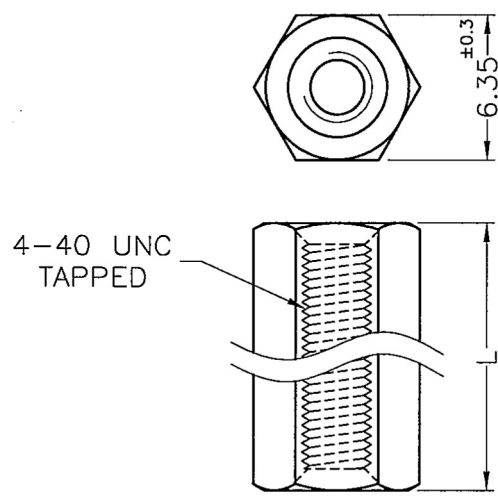
Length	
Code	L
0.250	0.250" (6.35mm)
0.375	0.375" (9.5mm)
0.500	0.500" (12.7mm)
0.600	0.600" (15.3mm)
0.625	0.625" (15.9mm)
0.750	0.750" (19.1mm)
0.875	0.875" (22.2mm)
1.000	1.000" (25.4mm)
1.125	1.125" (28.6mm)
1.250	1.250" (31.8mm)
1.375	1.375" (34.9mm)
1.500	1.500" (38.1mm)
1.625	1.625" (41.3mm)
1.750	1.750" (44.5mm)
2.000	2.000" (50.8mm)

Dimensions	
Thread Size	A
4-40	0.187" (4.7mm)
6-32	0.250" (6.4mm)
8-32	0.375" (9.5mm)

Part Numbering System



Female / Female



Length	
Code	L
0.250	0.250" (6.35mm)
0.312	0.312" (7.92mm)
0.315	0.315" (8.00mm)
0.375	0.375" (9.5mm)
0.500	0.500" (12.7mm)
0.625	0.625" (15.9mm)
0.750	0.750" (19.1mm)
0.875	0.875" (22.2mm)
1.000	1.000" (25.4mm)