

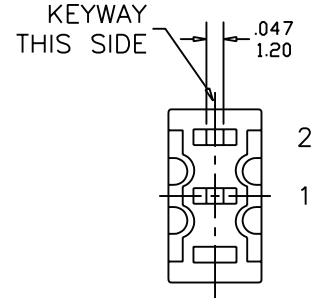
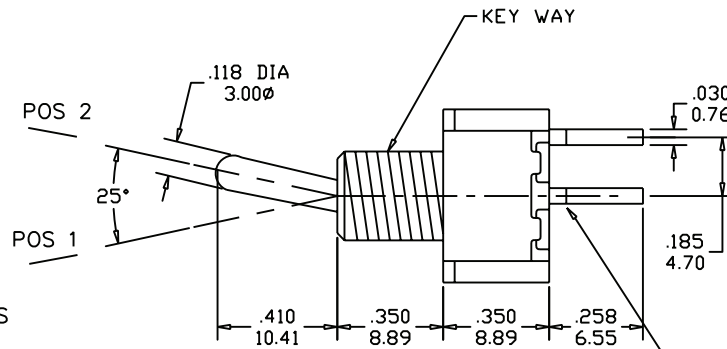
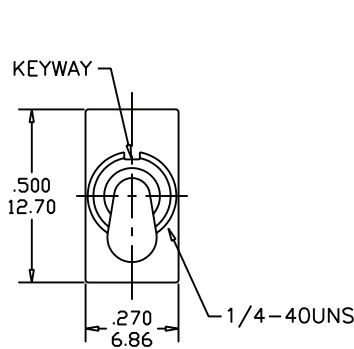


#### SPECIFICATION

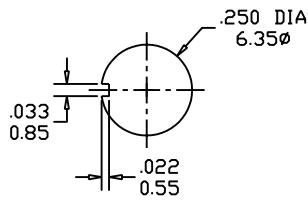
- Contact Rating: 5A @ 125VAC or 28 VDC, 2A @ 250VAC (Q Contact Material); 0.4VA max @ 20 VDC (R Contact Material)
- Electrical Life: 50,000 make-and-break cycles
- Contact Resistance: 10mΩ max. initial @2-4 VDC, 100mA
- Insulation Resistance: 1,000MΩ min.
- Dielectric Strength: 1,500 V RMS @ sea level.
- Operating Temperature: -30°C to +85°C.

#### MATERIAL

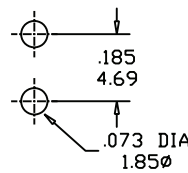
- Case: Diallyl Phthalate (DAP) (UL94-V0)
- Actuator: Brass, Chrome Plated
- Bushing: Brass, Nickel Plated
- Housing: Stainless Steel
- Switch Support: Brass or Steel, Tin Plated
- End Contacts: Coin Silver, Silver Plated ( Q Contact Material)
- Center Contacts & All Terminals: Copper Alloy, Silver Plated (Q Contact Material)
- Terminal Seal: Epoxy
- Hardware: Nut & Locking Ring: Brass, Nickel Plated  
Lockwasher: Steel, Nickel Plated



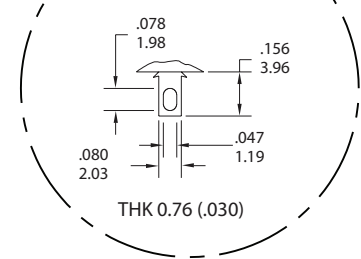
PANEL MOUNTING  
1/4 IN. BUSHING



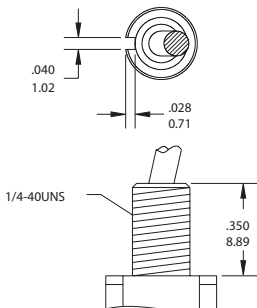
P.C.MOUNTING



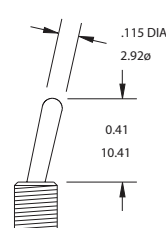
SOLDER LUG



BUSHING  
THREADED TYPE



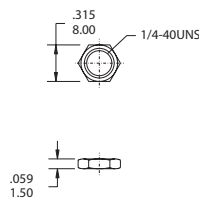
ACTUATOR



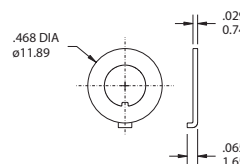
Model #	Switching Position		
MTS8263	ON	None	OFF

#### INCLUDED HARDWARE:

NUT (2pcs)  
N4



LOCKING RING (1pcs)  
R1



LOCK WASHER (1pcs)  
W1

