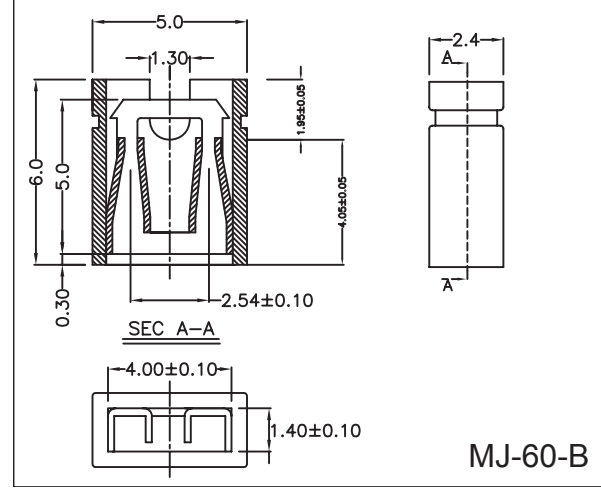
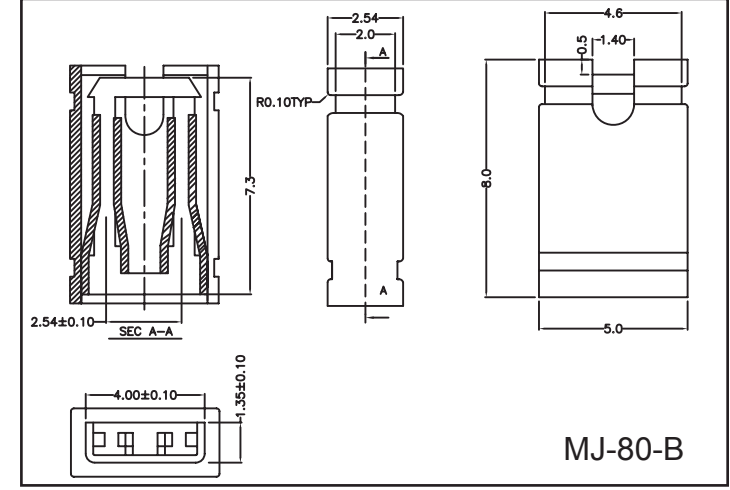


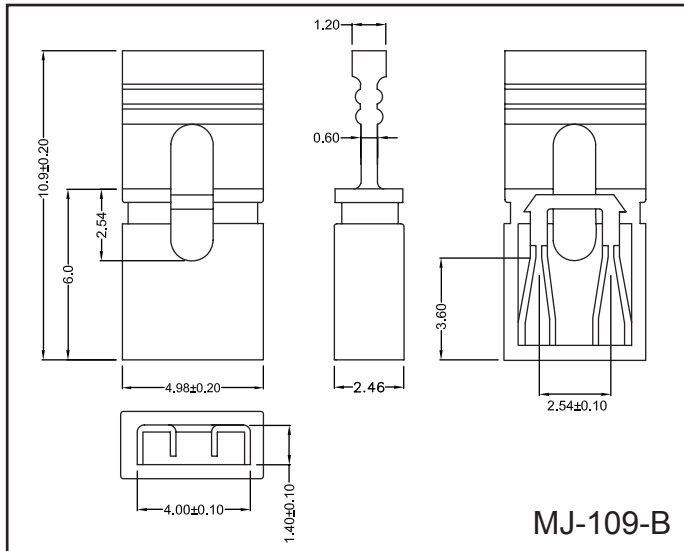
MJ-45-B



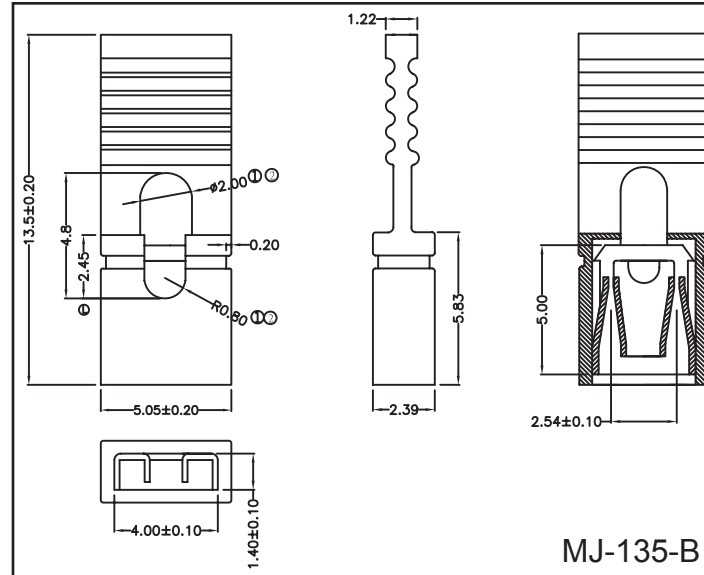
MJ-60-B



MJ-80-B

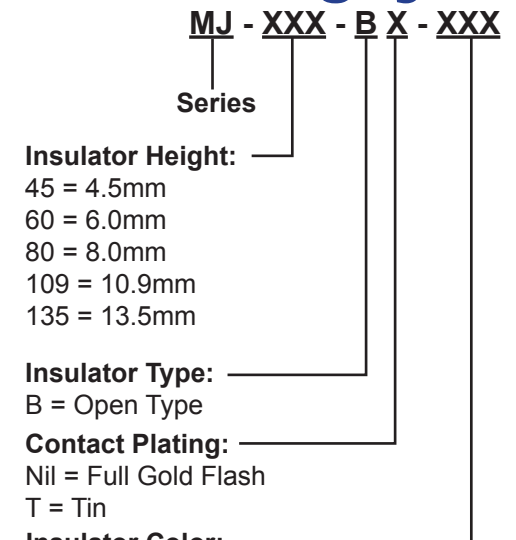


MJ-109-B



MJ-135-B

Part Numbering System



Specifications

- Current Rating: 3 Amp.
- Dielectric Strength: 1000V AC
- Insulator Resistance: 1000M ohms Min.
- Contact Resistance: 20m ohms Min.
- Operation Temperature: -55°C to +105°C
- Insulator: PBT+ 25% Glass Fiber UL-94V-0
Nylon 66 (for MJ-135)
- Contact: Phosphor Bronze
- Contact Plating: Full Gold Flash or Tin Plated