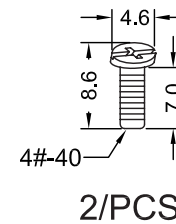
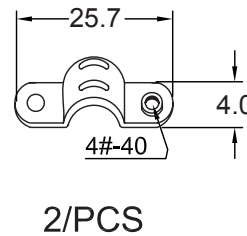
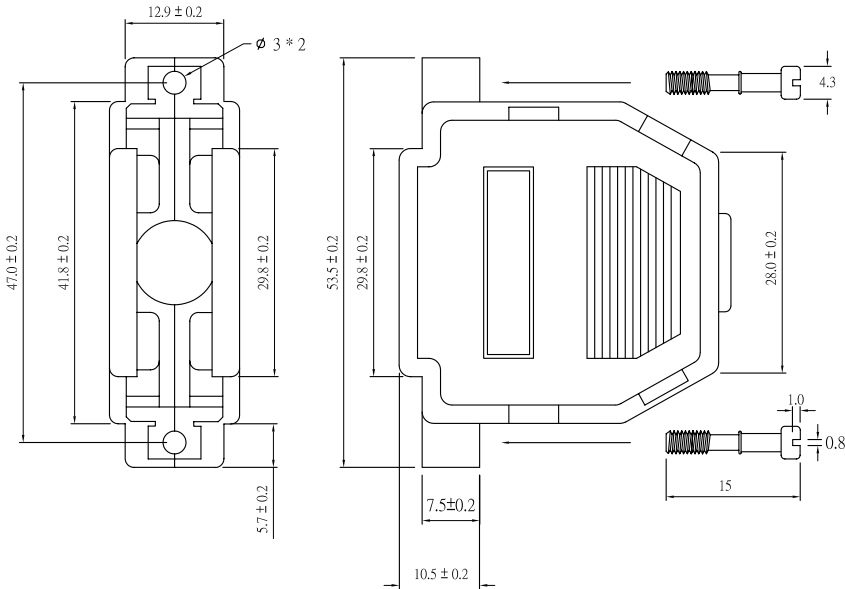
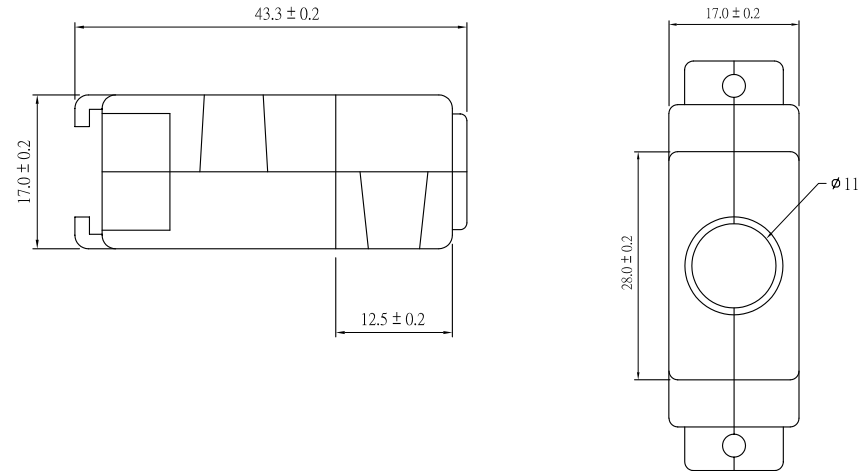
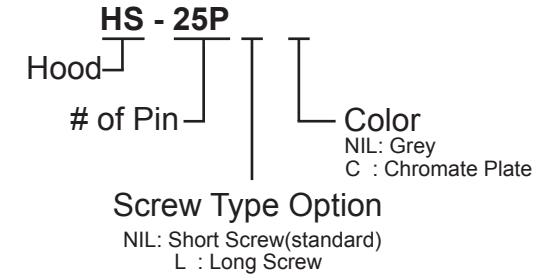


Insulator: ABS UL94HB

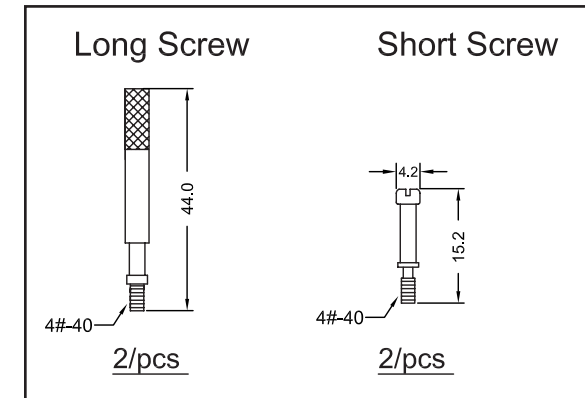


### Part Numbering System



Packaging: 50 Individually sealed pieces per bag.

### Screw Type Option



General Tolerance	
X. ± 0.50	X.° ± 5°
.X ± 0.20	.X° ± 2°
.XX ± 0.10	.XX° ± 1°
Units : mm	