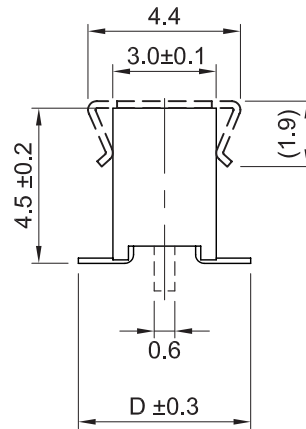
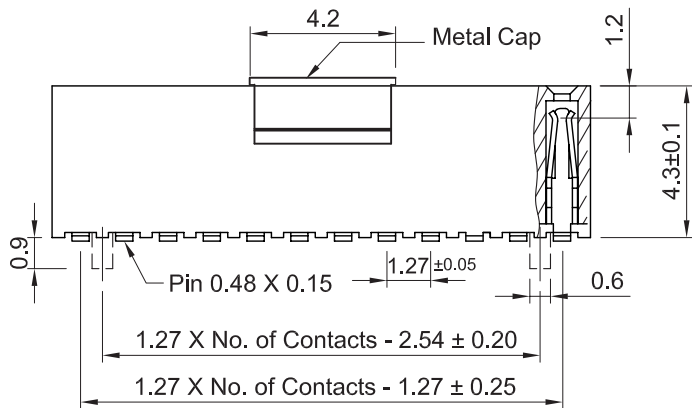
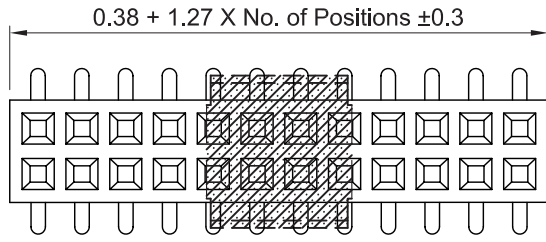
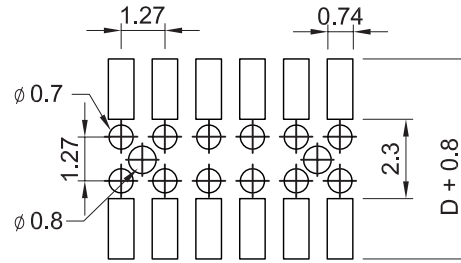


Recommended P.C. Board SMD Layout



Specifications

- Current Rating: 1 Amps
- Insulator Resistance: 1000 Megohms min.
- Contact Resistance: 20 m ohms max.
- Dielectric Withstanding: AC 300V
- Operating Temperature: -55°C ~ +125°C
- Contact Material: Phosphor Bronze
- Insulator Material: Polyester, UL 94V-0 LCP
- Contact Plated: *see options below
- Standard: Full Gold Flash

Part Numbering System

FH7C-SD - 4330 XX N - XX - X X X X L

- Series** _____
- Terminal Dimension(D):**
 - 45 = 4.5mm (Standard)
 - 48 = 4.8mm
- Body Style: N** _____
- No. of Contact:** _____
- Post Option:** _____
 - Nil = w/o Alignment Pin
 - A = with Alignment Pin
- Contact Plating:** _____
- Cap Option:** _____
 - Nil = No Cap
 - F = Film
 - M = Metal
 - P = Plastic
- Packing Method:** _____
 - B = Tube
 - T = Tape & Reel
- Insulator Material:** _____
 - L = LCP

* Contact Plating Option	Full Gold Plating	Gold Plated On Contact Area Tin Plated on Solder Area	Full Tin Plating
G : Gold Flash G10: Gold 10u" G15: Gold 15u" G30: Gold 30u"	S: Gold Flash S10: Gold 10u" S15: Gold 15u" S30: Gold 30u"	T: Tin 100u"	

General Tolerance	
X. ± 0.50	X.° ± 5°
.X ± 0.20	.X° ± 2°
.XX ± 0.10	.XX° ± 1°
Units : mm	