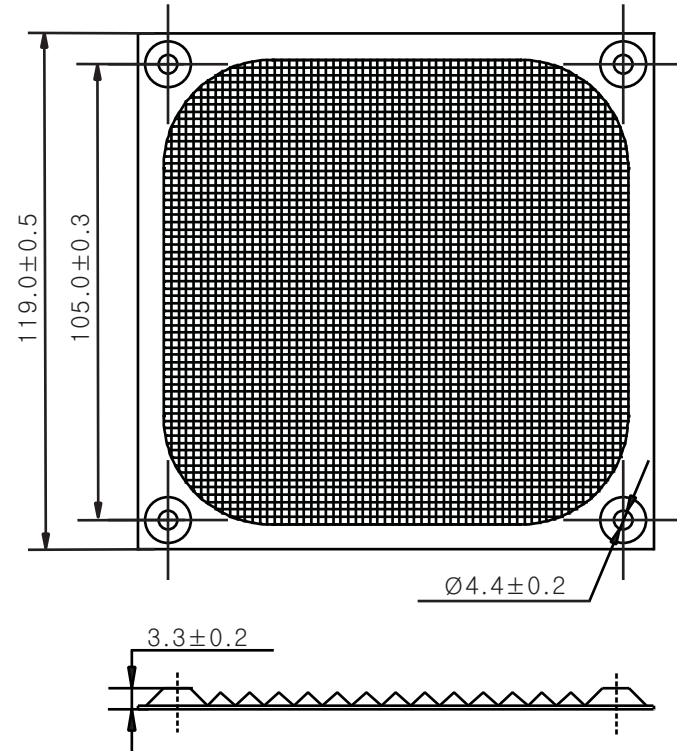


1 2 3 4 5 6 7 8 9 10

A
B
C
D
E
F
G
H
I
J


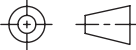


Fits for Fan Size:

- 120x120x25mm; 120x120x32mm
- 120x120x38mm

Specifications:

- * Frame: Aluminum with 1.6mm thickness.
- * Mesh: 30*30 mesh convoluted approx 1/8" deep with approx. 3/16" pitch.
- * General tolerance: unless noted ± 0.5mm.

TITLE		PART DRAWING		REV	CHANGES	BY/DATE	APPD/DATE
PART NAME		ALUMINUM FAN FILTER		COOLTRON INDUSTRIAL SUPPLY, INC. 			
PART NO.		FFA-120A-1					
MODEL NO.				LINEAR (0.50] ±0.10 ±0.05 (50,100] ±0.20 ±0.10 (100,+∞] ±0.30 ±0.15		ANGLAR X. ±0.5° X.X ±0.1°	
APPD.	DATE			PROJECTION: 		UNIT	MM
CHECK	DATE			MATERIAL		SCALE	
DRAWING	TONY	DATE	8/10/2007	FINISH		DWG NO.	REV