

Pro Components

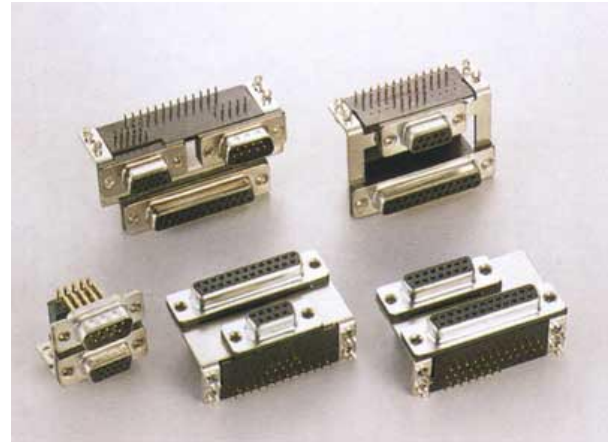
DS13 D-SUB DUAL PORT TYPE (5.08 & 8.89 FOOTPRINT for HIGH DENSITY)

MATERIAL:

Insulator: PBT+30% Glass Fiber(UL 94V-0)
Contact: Copper Alloy
Contact Finish: Gold Over Nickel
Shell: Steel, Nickel Plated
Boardlock: Brass, Tin Plated
Bracket: Zinc Alloy, Nickel Plated

SPECIFICATIONS:

Current Rating: 5 Amp.
Dielectric Withstanding Voltage: 1000V AC for 1 minute
Insulation Resistance: 1000M Ω Min. at 500V DC
Contact Resistance: 15m Ω Max.
Operating Temperature: -55 $^{\circ}$ C ~ +105 $^{\circ}$ C



DIMENSIONS:(UNITS:mm)

Female:

Shell Size	A \pm 0.25	B \pm 0.25	C \pm 0.38	D
09 Pin	16.33	24.99	30.80	11.08
15 Pin	24.66	33.32	39.10	19.39
25 Pin	38.38	47.04	53.00	33.24
37 Pin	54.84	63.50	69.32	49.86

Male:

Shell Size	A \pm 0.25	B \pm 0.25	C \pm 0.38	D
09 Pin	16.92	24.99	30.80	11.08
15 Pin	25.25	33.32	39.10	19.39
25 Pin	38.96	47.04	53.00	33.24
37 Pin	55.42	63.50	69.32	49.86

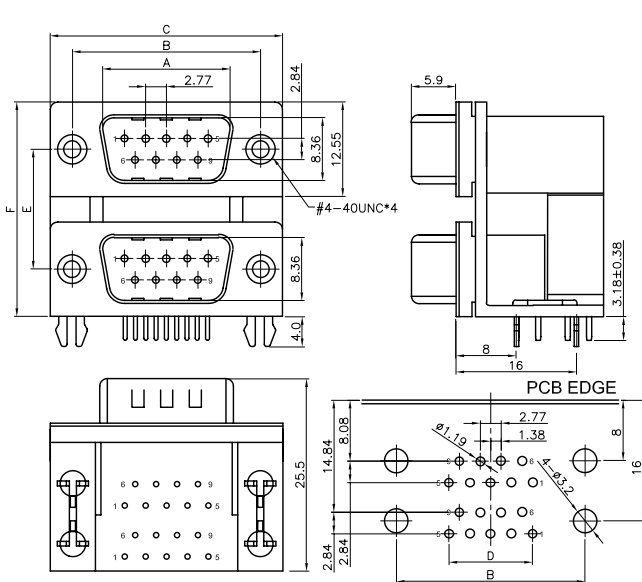
Female & Male:

Port Spacing	E \pm 0.15	F \pm 0.15
A	15.88	28.43
B	19.05	31.60
C	22.86	35.41

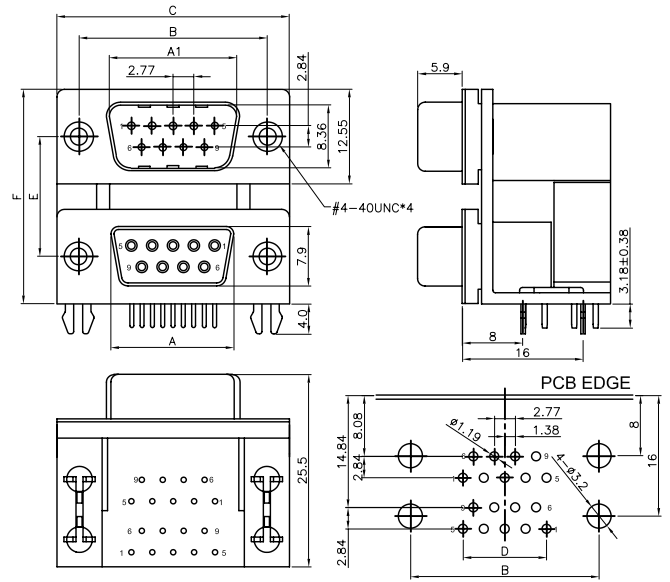
Pro Components

DS13 D-SUB DUAL PORT TYPE (5.08 & 8.89 FOOTPRINT for HIGH DENSITY)

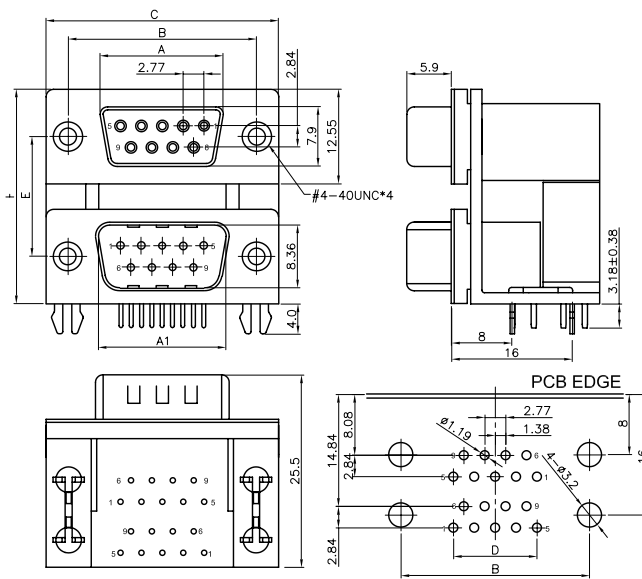
DIMENSIONS:(UNITS:mm)



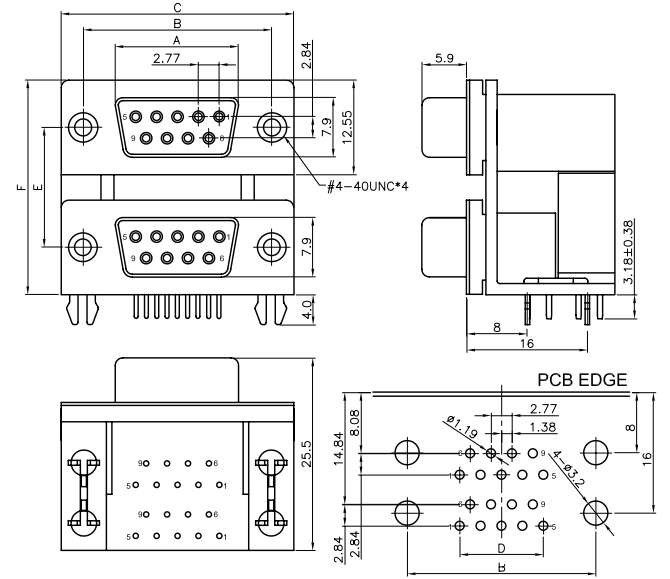
**Male/Male
Gender Type Code: A**



**Male/Female:
Gender Type Code: B**



**Female/Male:
Gender Type Code: C**

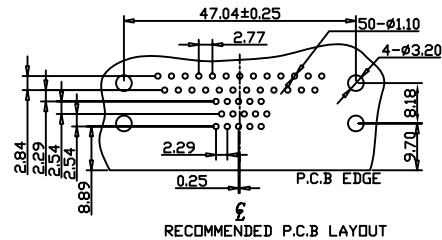
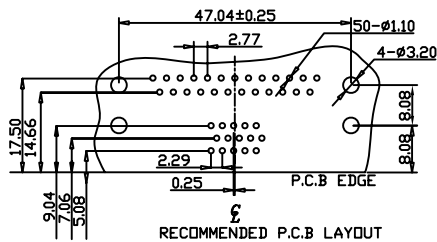
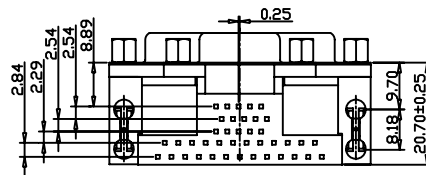
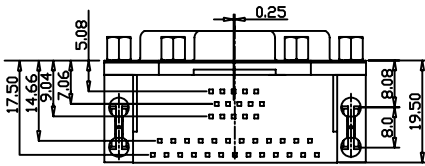
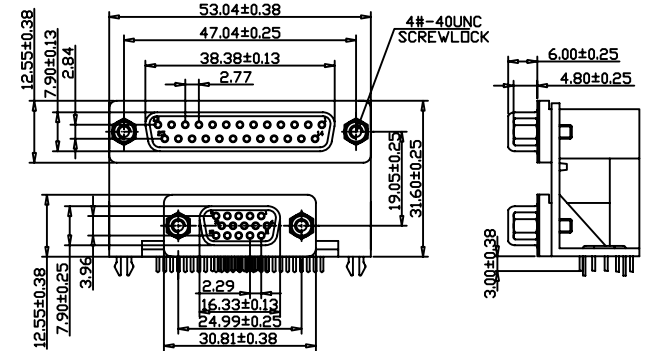
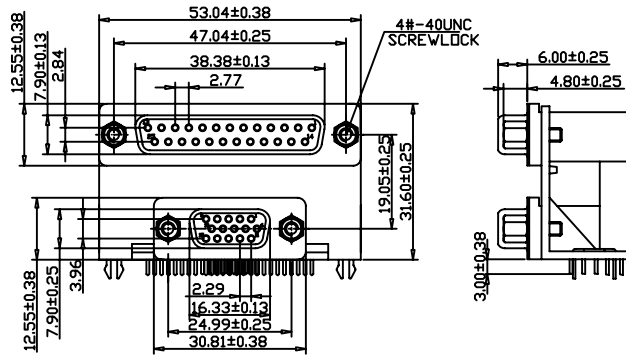


**Female/Female
Gender Type Code: D**

Pro Components

DS13 D-SUB DUAL PORT TYPE (5.08 & 8.89 FOOTPRINT for HIGH DENSITY)

DIMESIONS:(UNITS:mm)



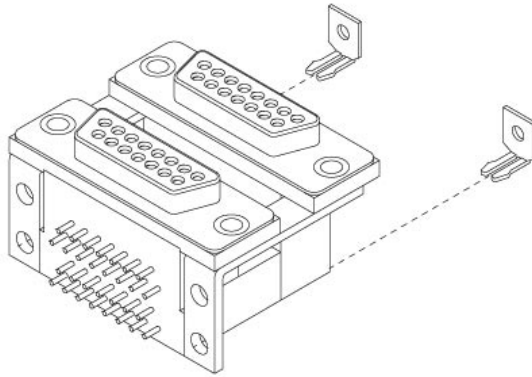
**5.08mm Footprint
Female/Female
Gender Type Code: D**

**8.89mm Footprint
Female/Female:
Gender Type Code: D**

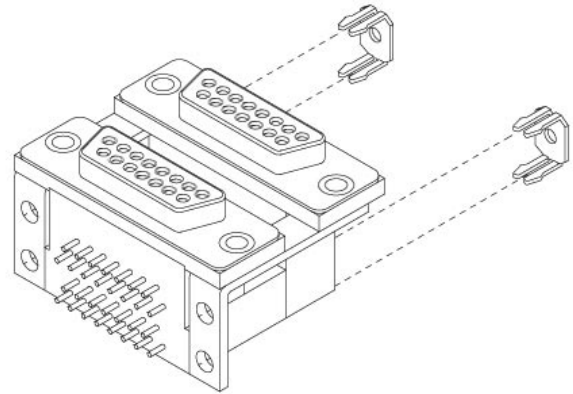
Pro Components

DS13 D-SUB DUAL PORT TYPE (5.08 & 8.89 FOOTPRINT for HIGH DENSITY)

PROCESS OPTION:



Single Boardlock



Dual Boardlock

PART NUMBER:

DS13 - 15 A G T A B C A 3

Series
 Configuration:
 01 = 09/HDD15(8.89mm)
 02 = 25/09
 03 = 09/25
 04 = 15/25
 05 = HDD15/09
 06 = 25/09+09
 07 = 25/09+HDD15
 08 = 15/RCA JACK*3
 09 = 09/09
 10 = 25 (ATX)
 11 = 25/HDD15(8.89mm)
 12 = 25/HDD15(5.08mm)
 15 = 15/15
 25 = 25/25
 37 = 37/37
 50 = 50/50

Gender Type:
 A = Male/Male
 B = Male/Female
 C = Female/Male
 D = Female/Female

Contact Plating:
 G = Full Gold Flash
 A = Full Gold 5μ"
 B = Full Gold 10μ"
 C = Full Gold 15μ"
 D = Full Gold 20μ"
 E = Full Gold 30μ"
 S = Selective Gold Flash
 1 = Selective Gold 5μ"
 2 = Selective Gold 10μ"
 3 = Selective Gold 15μ"
 4 = Selective Gold 20μ"
 5 = Selective Gold 30μ"

Insulator Color:
 3 = Black

Parts Option:
 A = No Accessories
 B = Loose Hex-Screws (4.8*11.8mm)
 C = Fixed Hex-Screws (4.8*11.8mm)
 D = Loose Hex-Screws (5.8*12.0mm)
 E = Fixed Hex-Screws (5.8*12.0mm)

Process Option:
 A = Dual Boardlocks (Center Line 8.0mm)
 B = L-Shape (Center Line 8.0mm)
 C = Single Boardlock
 D = Dual Boardlocks (Center Line 8.18mm)
 E = L-Shape (Center Line 8.18mm)

Port Spacing:
 A = 15.88mm
 B = 19.05mm
 C = 22.86mm

Mating Face Mounting Option:
 A = 4-40 Threaded Riveted w/Boardlock
 B = 4-40 Threaded Riveted w/Boardlock and Jack Screws
 C = Riveted w/Boardlock and Riveted Hex Nut
 D = 4-40 Threaded Riveted w/Ø3.2 Through-Hole

Shell Plating:
 T = Tin
 N = Nickel
 Z = Zinc