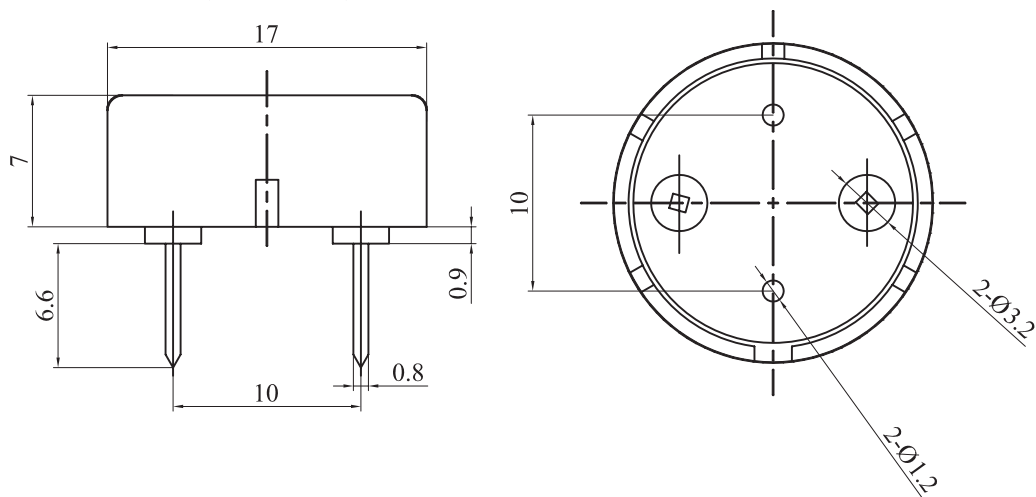




Dimensions (Unit:mm):



FEATURES:

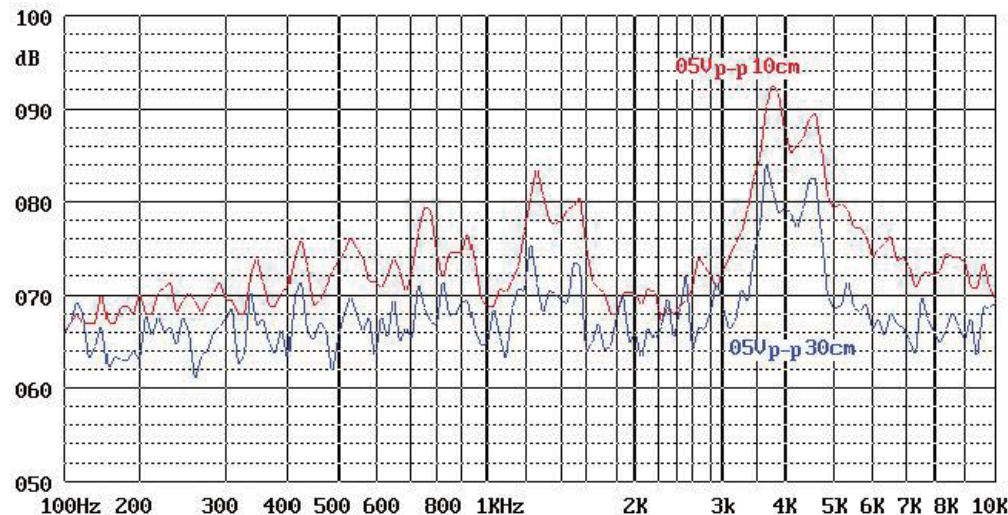
| | |
|---------|-------|
| Housing | NORYL |
| Color | Black |

ELECTRICAL SPECIFICATIONS:

| | |
|----------------------------|---------------|
| Rated Voltage | 5 Vp-p |
| Operating Voltage | 1~30 Vp-p |
| *Current Consumption | ≤ 1 mA |
| *Min. Sound Output at 50cm | 78 dB |
| Capacitance at 120Hz | 15000 ± 30% |
| Resonant Frequency | 4.0 ± 0.5 KHz |
| Case Material | NORYL |
| Operating Temperature | -20 ~ +70°C |
| Storage Temperature | -30 ~ +80°C |
| Weight | 1.0g |

*Applying rated voltage. (Resonant frequency, 1/2 duty, Square wave)

Frequency Response:



| | | |
|---|--------------------------|----|
| TOLERANCES UNLESS NOTED OTHERWISE X ± XX ± XXX ± 90° FORMED +2° ANGLES -1° FIRST ANGLE PROJECTION | Part Number | |
| | CPT100-170070-050-78-4K0 | |
| | Piezo Transducer | |
| | UNIT | mm |
| BLIZZ MODE | | |