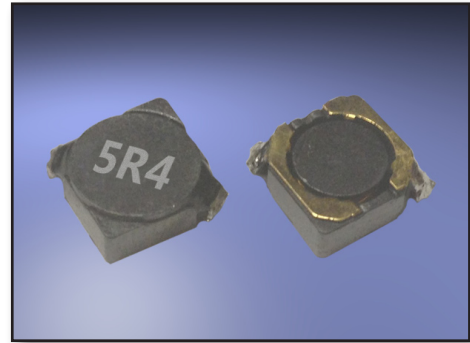
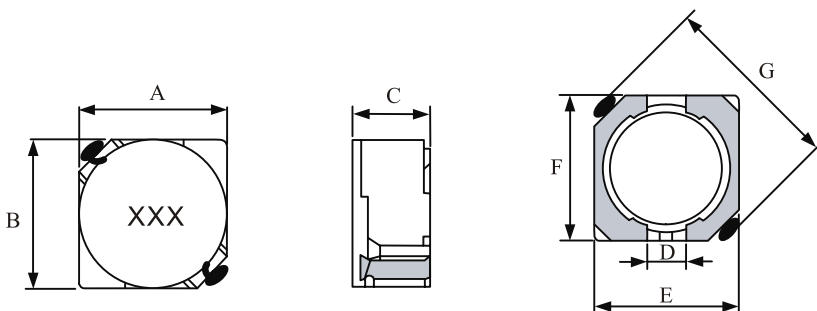


**Features :**

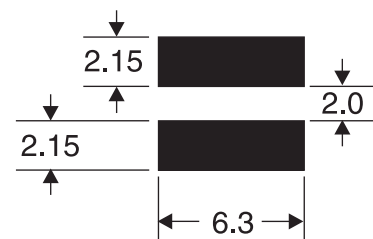
- Description: SMD (shielded) power inductor.
- Applications: Power supplies for VTR, OA equipment, LCD televisions, PC notebooks, portable communication equipment, DC/DC converters, etc.
- Operating Temperature: -40°C to +125°C
- Inductance Tolerance: M = ±20%, N = ±30%
- Testing: Tested on an HP4284A at 10KHz, 0.25Vrms, 0Adc.
- Packaging: Tape & reel.
- Marking: Parts are marked with inductance code.
- Rated DC Current: Indicates the current when the inductance decreases to 65% of its initial value or DC current when the temperature of coil is increased by 30% the smaller one is defined as rated current.
- Additional info available upon request.



Part Number	Inductance (µH)	L Test Freq. (kHz)	DCR max (mOhms)	Rated DC Current (A)
AXSD6020-4R1N	4.1	10	57	1.95
AXSD6020-5R4N	5.4	10	76	1.60
AXSD6020-6R2N	6.2	10	96	1.40
AXSD6020-8R9N	8.9	10	116	1.25
AXSD6020-100N	10	10	124	1.20
AXSD6020-120N	12	10	153	1.10
AXSD6020-150N	15	10	196	0.97
AXSD6020-180N	18	10	210	0.85
AXSD6020-220N	22	10	290	0.80
AXSD6020-270N	27	10	330	0.75
AXSD6020-330N	33	10	386	0.65
AXSD6020-390N	39	10	520	0.57
AXSD6020-470M	47	10	595	0.54
AXSD6020-560M	56	10	665	0.50
AXSD6020-680M	68	10	840	0.43
AXSD6020-820M	82	10	978	0.41
AXSD6020-101M	100	10	1200	0.36

**Dimensions :**

**Pad Layout :**

Unit: mm



Size	A Max.	B Max.	C Max.	D	E	F Max.	G Max.
mm	6.0	6.0	2.0	2.0	5.5	5.5	8.2