

⊕ 0.4 X Y  
POSITION TOLERANCE  
OF PIN TIP

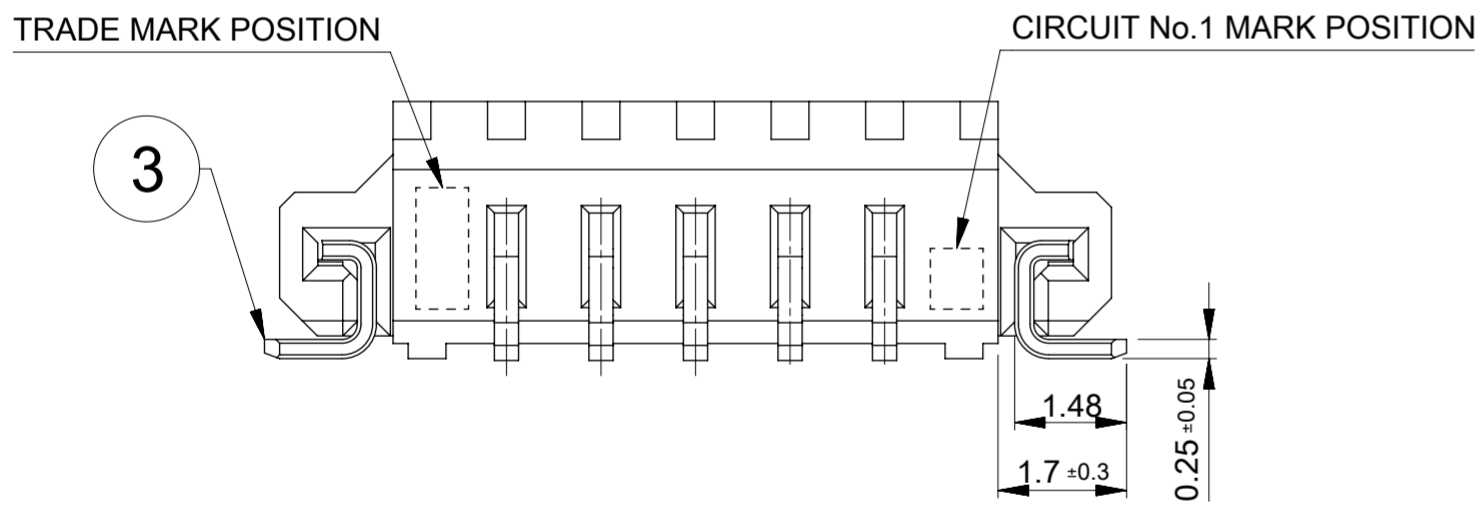
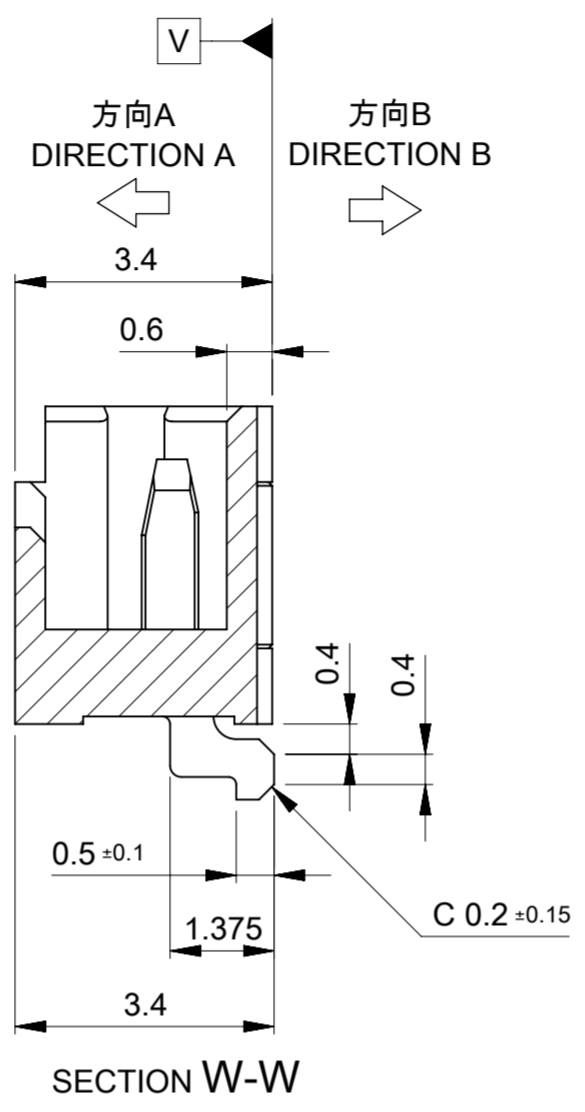
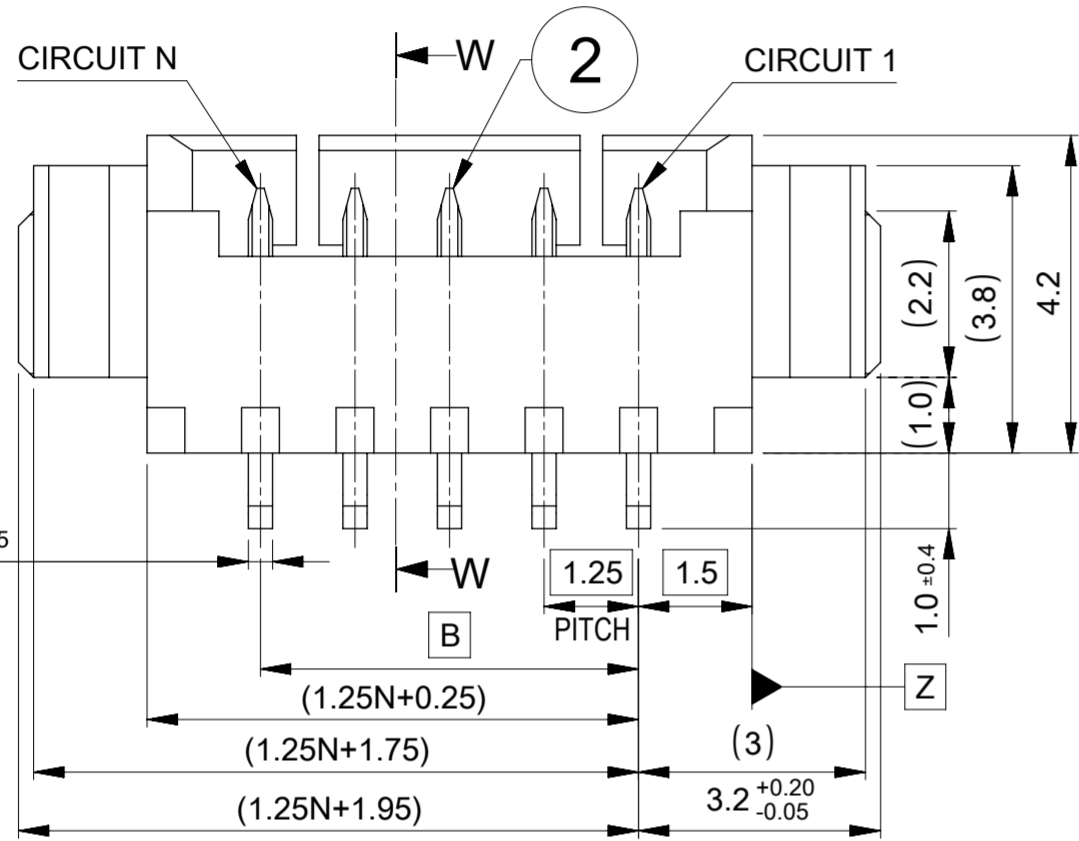
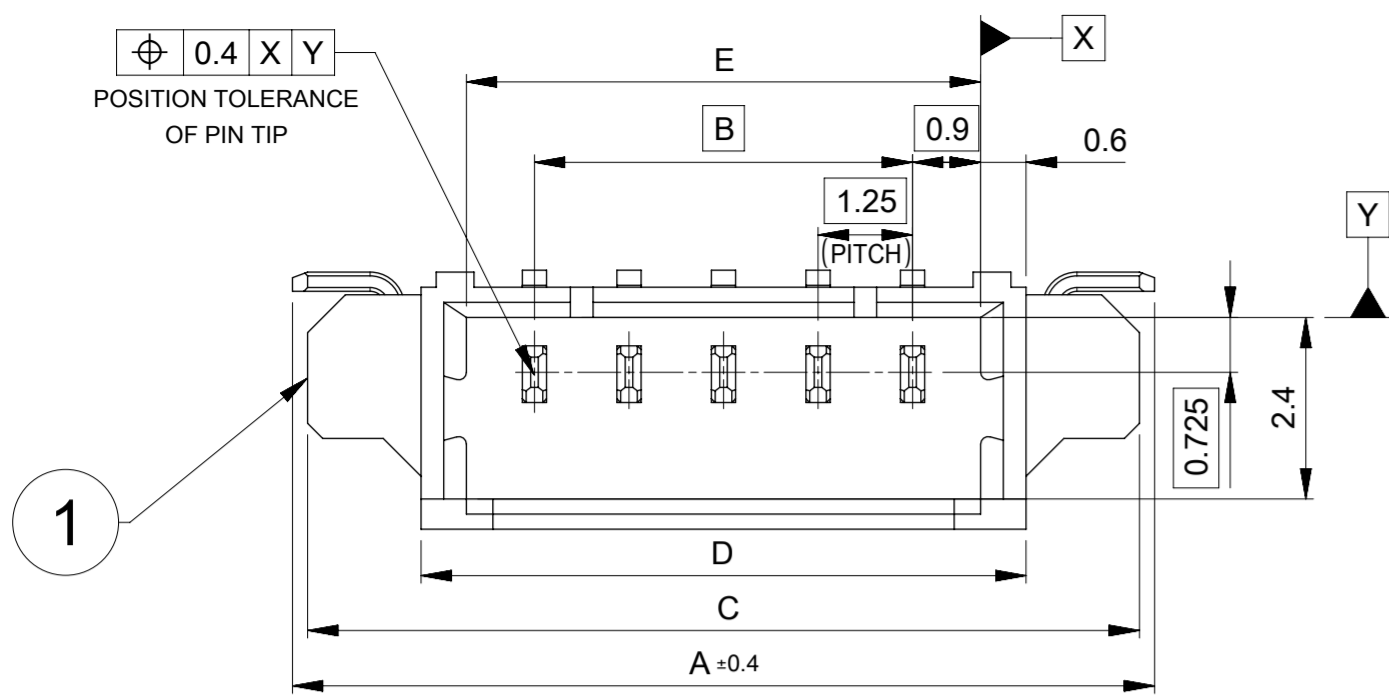
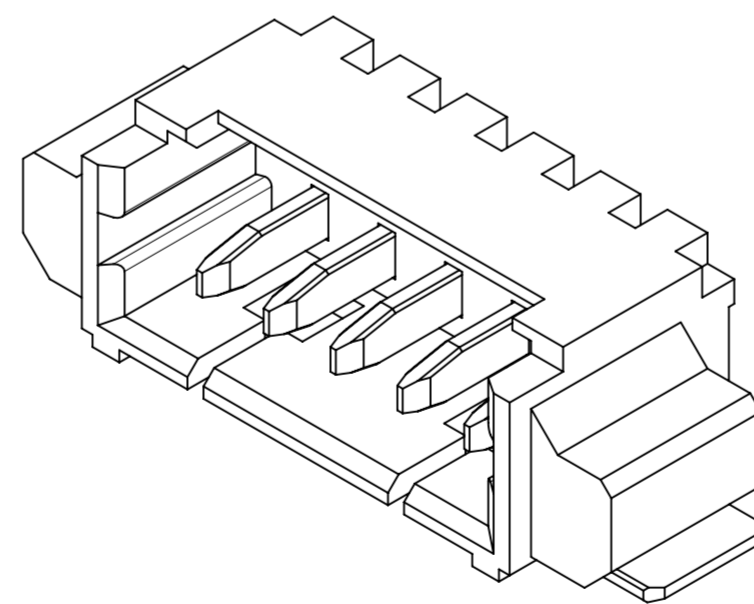
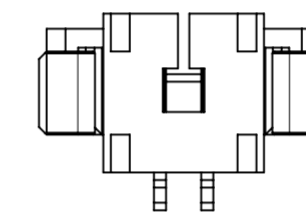


TABLE 1

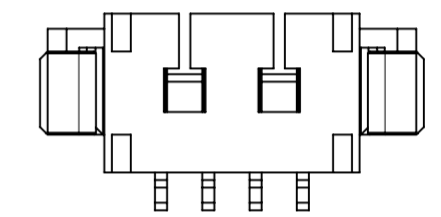


NOTES

- 1. 材料およびめっき仕様：TABLE 1 参照  
MATERIAL AND PLATING：REFER TO TABLE 1
- 2. 適用製品及び各種仕様書はSHEET 5を参照のこと  
REFER TO SHEET 5 ABOUT APPLICABLE PRODUCTS AND VARIOUS SPECIFICATIONS
- 3. 梱包形態：SHEET 3 参照  
PACKAGING INFORMATION：SEE SHEET 3
- 4. テールおよびネイルのズレは基準面 V に対しA方向に0.05 MAX、B方向に0.1 MAX  
MISALIGNMENT OF TAILS AND NAILS FROM V,  
DIRECTION A: 0.05 MAX, DIRECTION B: 0.1 MAX
- 5. 端子テール部およびネイルの平坦度は0.1以下  
COPLANARITY OF TAIL AND NAIL TO BE 0.1 MAX
- 6. 本製品は錫めっき品です。金めっき品は532610000-SD 000をご参照ください  
THIS PRODUCT IS TIN PLATING TYPE.  
PLEASE REFER TO 532610000-SD FOR GOLD PLATING TYPE.
- 7. ロックの数は、2,3極は1ロック、4極以上は2ロック。  
LOCKING WINDOW: ONE PLACE FOR 2 AND 3 CIRCUIT,  
AND TWO PLACES FOR MORE THAN 4 CIRCUIT.



2, 3極形状 (1ロック)  
FIGURE OF 2, 3 CIRCUIT (1 LOCK)



4極以上ロック形状 (2ロック)  
FIGURE OF MORE THAN 4 CIRCUIT (2 LOCKS)

21.8	23	26	20	26.4	532611771	17
19.3	20.5	23.5	17.5	23.9	532611571	15
18.05	19.25	22.25	16.25	22.65	532611471	14
16.8	18	21	15	21.4	532611371	13
15.55	16.75	19.75	13.75	20.15	532611271	12
14.3	15.5	18.5	12.5	18.9	532611171	11
13.05	14.25	17.25	11.25	17.65	532611071	10
11.8	13	16	10	16.4	532610971	9
10.55	11.75	14.75	8.75	15.15	532610871	8
9.3	10.5	13.5	7.5	13.9	532610771	7
8.05	9.25	12.25	6.25	12.65	532610671	6
6.8	8	11	5	11.4	532610571	5
5.55	6.75	9.75	3.75	10.15	532610471	4
4.3	5.5	8.5	2.5	8.9	532610371	3
3.05	4.25	7.25	1.25	7.65	532610271	2
E	D	C	B	A	発注番号 ORDER NO. 梱包形態：エンボス梱包 PACKAGING：EMBOSSED TAPE AND REEL	極数 CIRCUIT SIZE

THIS DRAWING CONTAINS INFORMATION THAT IS PROPRIETARY TO MOLEX ELECTRONIC TECHNOLOGIES, LLC AND SHOULD NOT BE USED WITHOUT WRITTEN PERMISSION

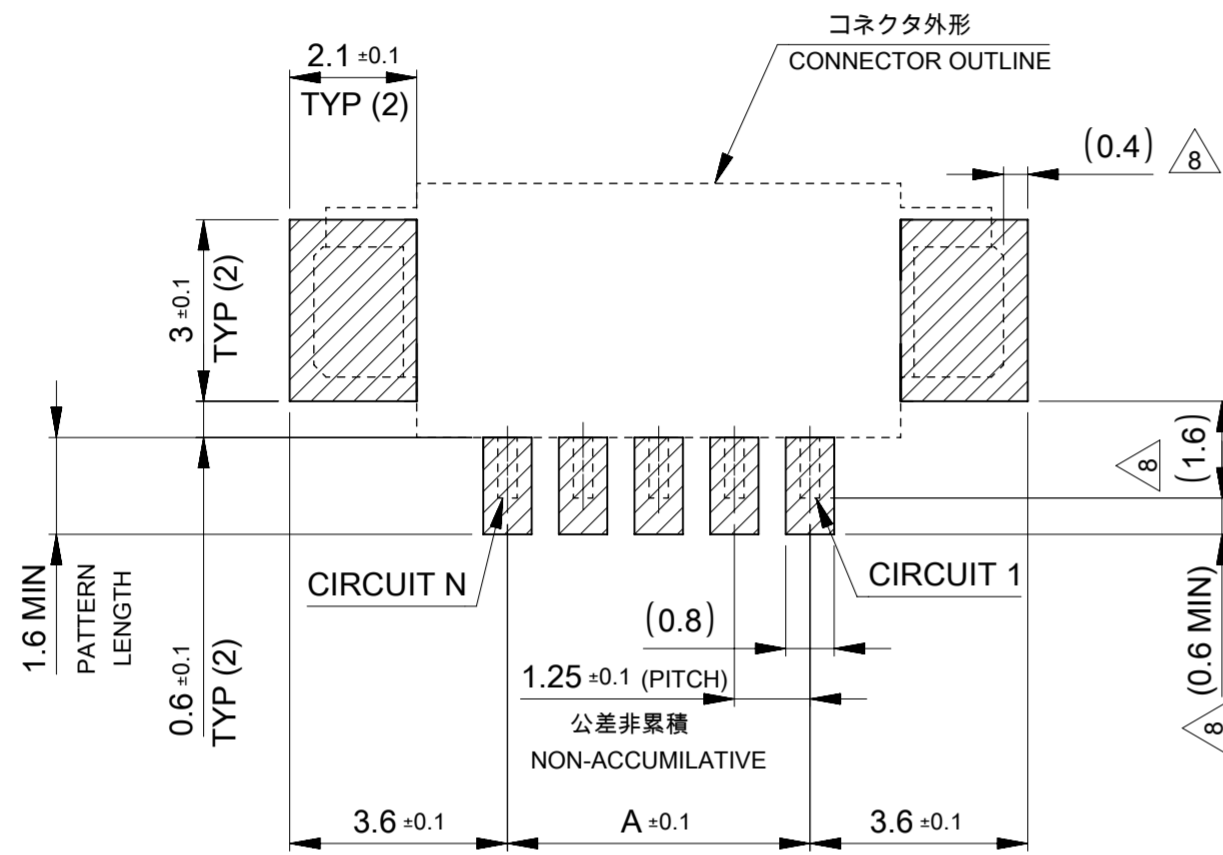
DIMENSION UNITS	SCALE	CURRENT REV DESC:		<b>molex</b>		
mm	NTS					
GENERAL TOLERANCES (UNLESS SPECIFIED)		EC NO: 688261		PICOBLADE 1.25 SMT RIGHT ANGLE TIN PLATING TYPE		
ANGULAR TOL ± 3.0°		DRWN: QHE31	2021/12/15			
4 PLACES ± 0.2		CHK'D: SAKIYAMA	2021/12/21	PRODUCT CUSTOMER DRAWING		
3 PLACES ± 0.2		APPR: KOMURAKAMI	2021/12/24			
2 PLACES ± 0.2		INITIAL REVISION:		DOCUMENT NUMBER <b>532610001-SD</b> DOC TYPE   DOC PART   REVISION PSD   000   A		
1 PLACE ± 0.2		DRWN: QHE31	2021/12/15			
0 PLACES ± 0.2		APPR: KOMURAKAMI	2021/12/24	MATERIAL NUMBER   CUSTOMER   SHEET NUMBER SEE CHART OF SHEET3   GENERAL   1 OF 5		
DRAFT WHERE APPLICABLE MUST REMAIN WITHIN DIMENSIONS		THIRD ANGLE PROJECTION	DRAWING   SERIES A2-SIZE   53261			

番号 NO.	部品 PART	材質 MATERIAL
1	ハウジング HOUSING	ポリアミド(PA), UL94V-0, GLASS-FILLED, 色: ナチュラル(ベージュ) POLYAMIDE(PA), UL94V-0, GLASS-FILLED, COLOR: NATURAL (BEIGE)
2	ターミナル TERMINAL	りん青銅 PHOSPHOER BRONZE 無光沢錫めっき 1.0 MICROMETER MINIMUM MATTE TIN PLATING 1.0 MICROMETER MINIMUM ニッケルめっき 1.0 MICROMETER MINIMUM NICKEL PLATING 1.0 MICROMETER MINIMUM
3	ネイル NAIL	りん青銅 PHOSPHOER BRONZE 無光沢錫めっき 1.0 MICROMETER MINIMUM MATTE TIN PLATING 1.0 MICROMETER MINIMUM ニッケルめっき 1.0 MICROMETER MINIMUM NICKEL PLATING 1.0 MICROMETER MINIMUM

DOCUMENT STATUS	P1	RELEASE DATE	2021/12/24	09:26:44
-----------------	----	--------------	------------	----------

NOTES

△<sub>8</sub> 製品輪郭線からパッドまでの寸法を示す。  
DIMENSIONS FROM CONNECTOR OUTLINE TO PAD



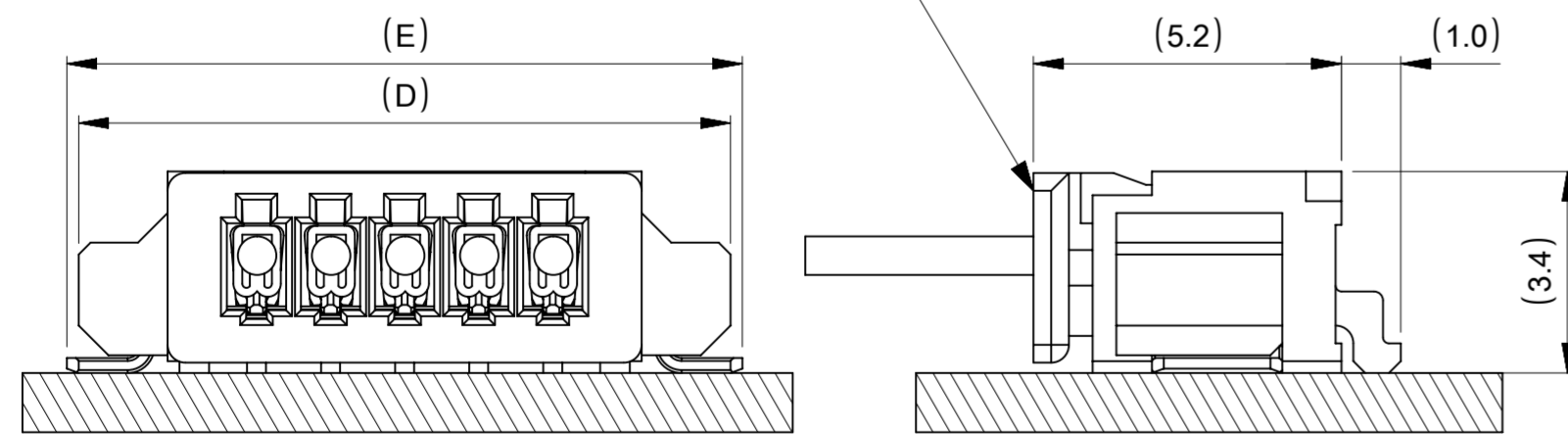
推奨基板レイアウト (実装面側)

RECOMMENDED P.W.B LAYOUT : COMPONENT SIDE

(参考 : 基板厚 1.0mm, メタルマスク厚さ: 0.15mm, マスク開口率: 100%)

(REFERENCE : P.W.B THICKNESS 1.0mm, STENCIL THICKNESS: 0.15mm, APERTURE: 100%)

嵌合相手 : 51021 シリーズ  
MATE WITH : 51021 SERIES

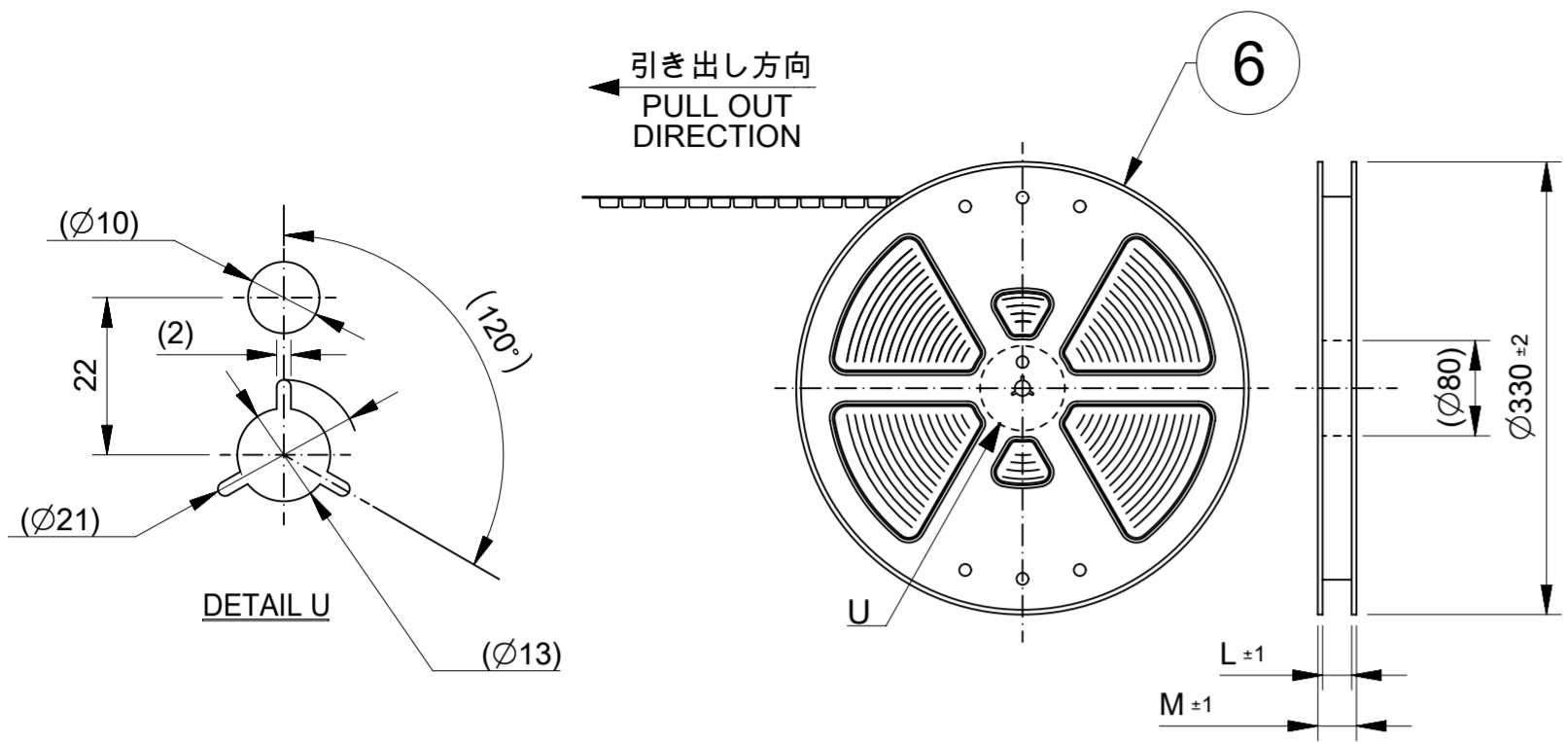


嵌合図  
MATED CONNECTOR

21.8	23	26	20	26.4	17
19.3	20.5	23.5	17.5	23.9	15
18.05	19.25	22.25	16.25	22.65	14
16.8	18	21	15	21.4	13
15.55	16.75	19.75	13.75	20.15	12
14.3	15.5	18.5	12.5	18.9	11
13.05	14.25	17.25	11.25	17.65	10
11.8	13	16	10	16.4	9
10.55	11.75	14.75	8.75	15.15	8
9.3	10.5	13.5	7.5	13.9	7
8.05	9.25	12.25	6.25	12.65	6
6.8	8	11	5	11.4	5
5.55	6.75	9.75	3.75	10.15	4
4.3	5.5	8.5	2.5	8.9	3
3.05	4.25	7.25	1.25	7.65	2
E	D	C	B	A	極数 CIRCUIT SIZE

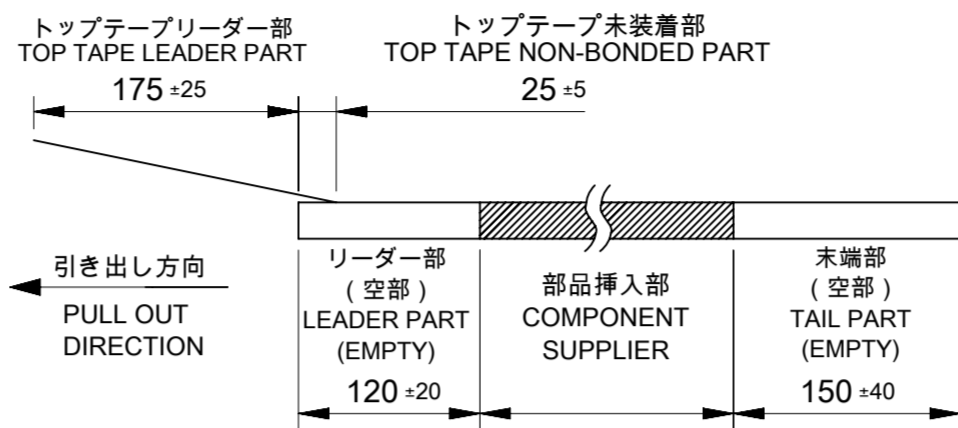
THIS DRAWING CONTAINS INFORMATION THAT IS PROPRIETARY TO MOLEX ELECTRONIC TECHNOLOGIES, LLC AND SHOULD NOT BE USED WITHOUT WRITTEN PERMISSION

DIMENSION UNITS	SCALE	CURRENT REV DESC:		<b>molex</b>			
mm	NTS						
GENERAL TOLERANCES (UNLESS SPECIFIED)		EC NO: 688261		PICOBLADE 1.25 SMT RIGHT ANGLE TIN PLATING TYPE			
ANGULAR TOL	± 3.0°	DRWN: QHE31	2021/12/15				
4 PLACES	± 0.2	CHK'D: SAKIYAMA	2021/12/21	PRODUCT CUSTOMER DRAWING			
3 PLACES	± 0.2	APPR: KOMURAKAMI	2021/12/24				
2 PLACES	± 0.2	INITIAL REVISION:		DOCUMENT NUMBER			
1 PLACE	± 0.2	DRWN: QHE31	2021/12/15				532610001-SD
0 PLACES	± 0.2	APPR: KOMURAKAMI	2021/12/24	DOC TYPE	DOC PART	REVISION	
DRAFT WHERE APPLICABLE MUST REMAIN WITHIN DIMENSIONS		THIRD ANGLE PROJECTION	DRAWING	SERIES	MATERIAL NUMBER	CUSTOMER	SHEET NUMBER
			A2-SIZE	53261	SEE CHART OF SHEET3	GENERAL	2 OF 5



注釈 NOTE

- 9. 梱包数量: 1000個/リール  
NUMBER OF CONNECTOR: 1000PCS/REEL
- 10. リードテープ長さ LEAD TAPE LENGTH



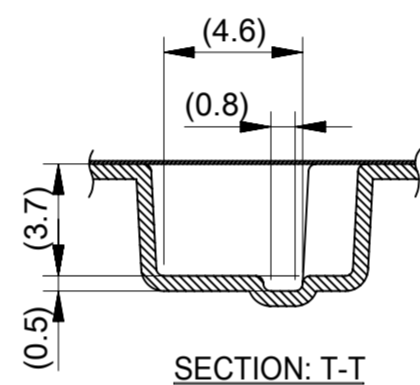
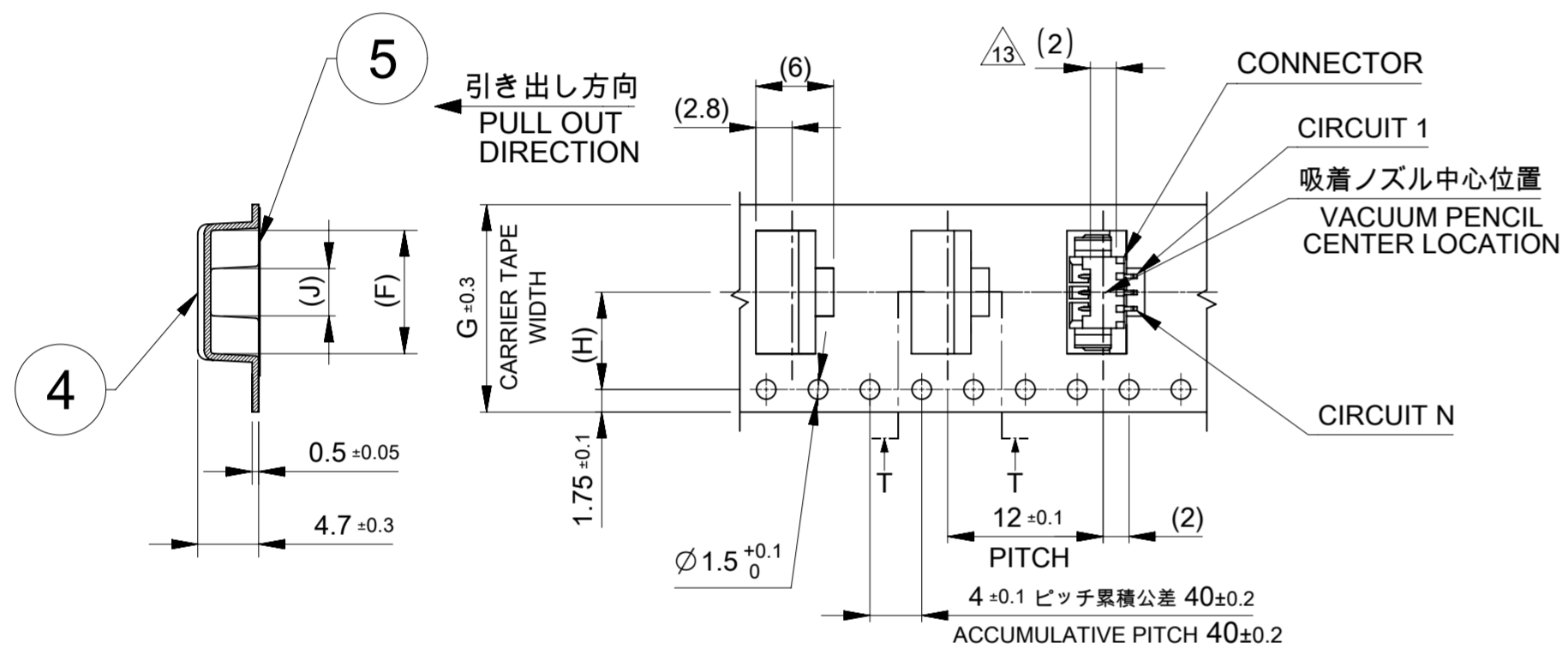
△11 発注番号  
ORDER NUMBER  
**53261\*\*71**

極数  
CIRCUIT

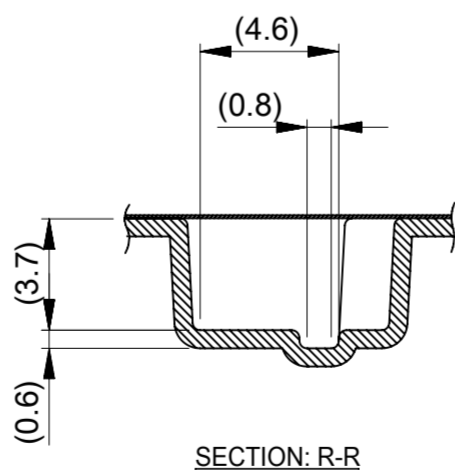
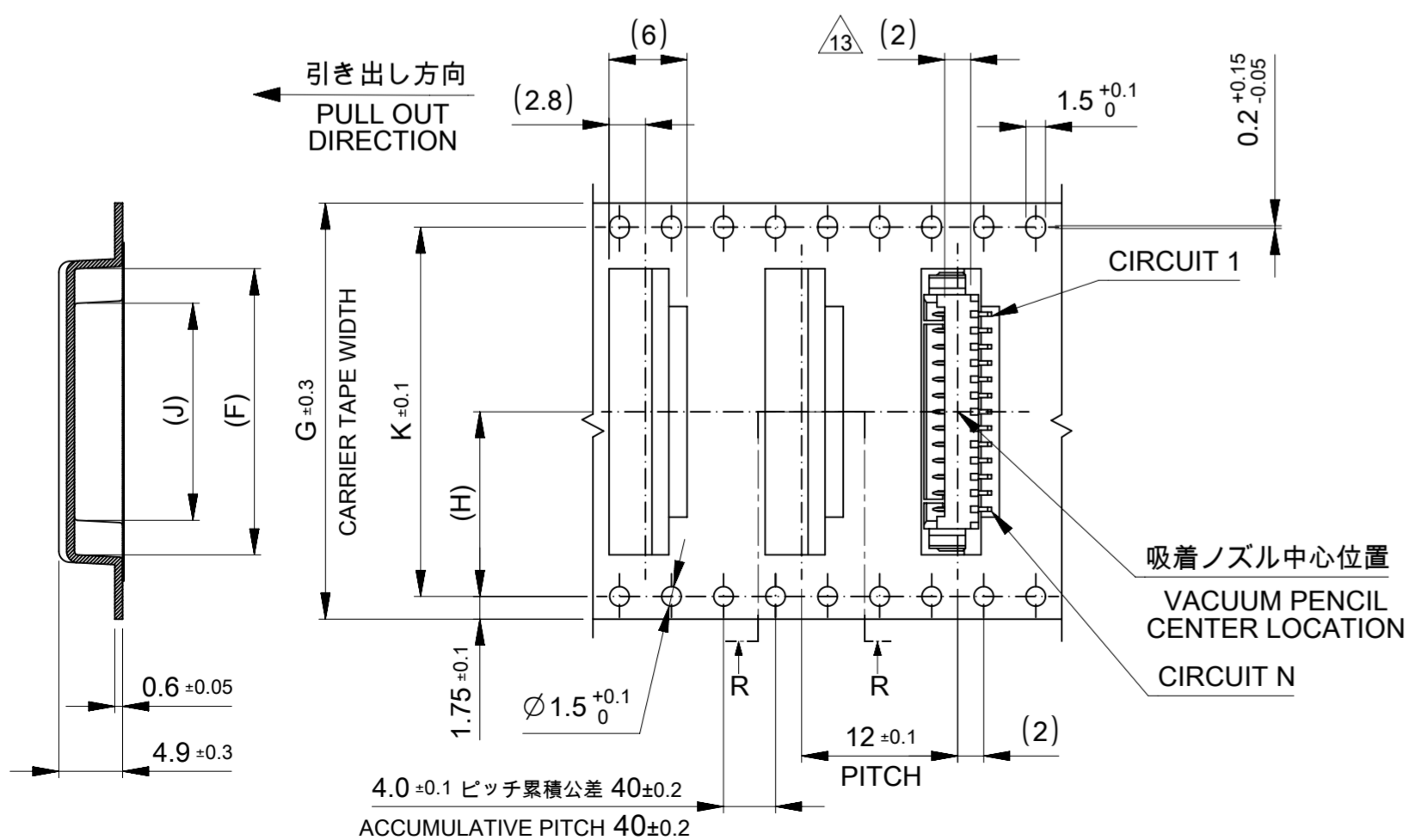
- △12 材料: TABLE 2参照  
MATERIAL: REFER TO TABLE 2
- △13 コネクタハウジング平面部  
CONNECTOR HOUSING FLAT AREA.
- 14. トップテープの剥離強度はIEC 60286-3に準拠。  
TOP TAPE PEELING FORCE IS DEFINED BY IEC 60286-3.
- 15. 本製品は乾燥剤入りハイバリア梱包仕様である。  
THIS PRODUCT IS HIGH BARRIER PACKAGE WITH DESICCANT.
- 16. 梱包仕様書: SPK-53261-002  
PACKAGING SPECIFICATION: SPK-53261-002

△12 TABLE2

番号 NO.	部品 PART	材質 MATERIAL
④	キャリアテープ CARRIER TAPE	ポリプロピレン(PP) POLYPROPYLENE(PP)
⑤	トップテープ TOP TAPE	ポリエチレン (PE)、その他 POLYETHYLENE (PE), ETC
⑥	リール REEL	ポリスチレン(PS)<リサイクル材を含む> POLYSTYRENE(PS) < RECYCLE MATERIAL CONTAINED >



16mm幅(2~3極用)および24mm幅(4~10極用)キャリアテープ  
16mm (FOR 2~3 CIRCUIT) OR 24mm (FOR 4~10 CIRCUIT) WIDTH CARRIER TAPE



32mm幅(11~13極用)および44mm幅(14~15, 17極用)キャリアテープ  
32mm (FOR 11~13 CIRCUIT) OR 44mm (FOR 14~15, 17 CIRCUIT) WIDTH CARRIER TAPE

49.4	45.4	40.4	21.2		27	17
			18.7	20.2	42	15
			17.45		23.25	14
37.4	33.4	28.4	16.2		22	13
			14.95	14.2	32	12
			13.7		19.5	11
29.4	25.4	-	12.45		18.25	10
			11.2		17	9
			9.95		15.75	8
			8.7	11.5	24	7
			7.45		14.5	6
			6.2		12	5
			4.95		10.75	4
21.4	17.4	-	3.7	7.5	16	3
			2.45		9.5	2
M	L	K	J	H	キャリアテープ幅 G CARRIER TAPE WIDTH G	極数 CIRCUIT SIZE

THIS DRAWING CONTAINS INFORMATION THAT IS PROPRIETARY TO MOLEX ELECTRONIC TECHNOLOGIES, LLC AND SHOULD NOT BE USED WITHOUT WRITTEN PERMISSION

DIMENSION UNITS	SCALE	CURRENT REV	DESC:
mm	NTS		
GENERAL TOLERANCES (UNLESS SPECIFIED)			
ANGULAR TOL	± 3.0°	EC NO:	688261
4 PLACES	± 0.2	DRWN:	QHE31 2021/12/15
3 PLACES	± 0.2	CHK'D:	SAKIYAMA 2021/12/21
2 PLACES	± 0.2	APPR:	KOMURAKAMI 2021/12/24
1 PLACE	± 0.2	INITIAL REVISION:	
0 PLACES	± 0.2	DRWN:	QHE31 2021/12/15
		APPR:	KOMURAKAMI 2021/12/24
DRAFT WHERE APPLICABLE MUST REMAIN WITHIN DIMENSIONS		THIRD ANGLE PROJECTION	DRAWING SERIES
		A2-SIZE	53261
		MATERIAL NUMBER	SEE CHART OF SHEET3
		CUSTOMER	GENERAL
		SHEET NUMBER	3 OF 5

**molex**

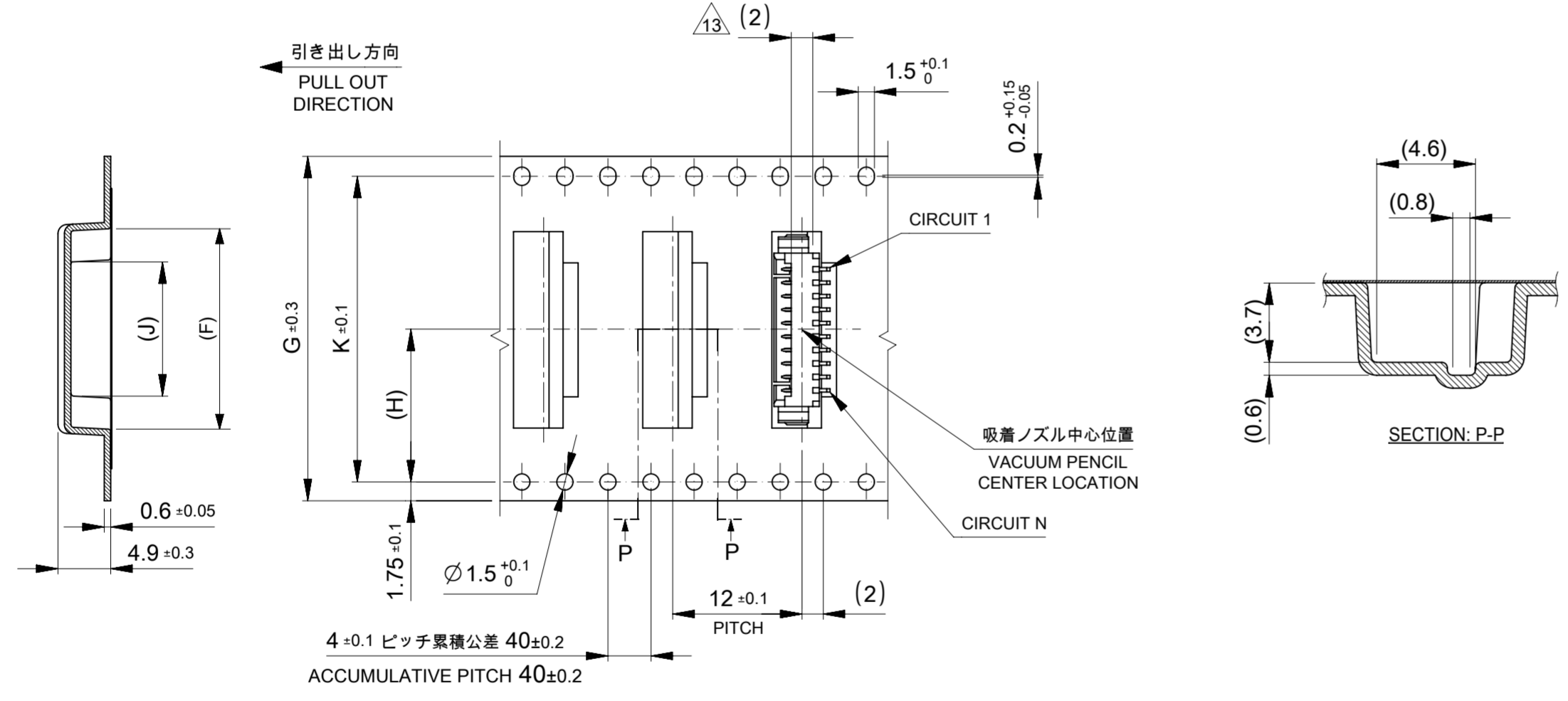
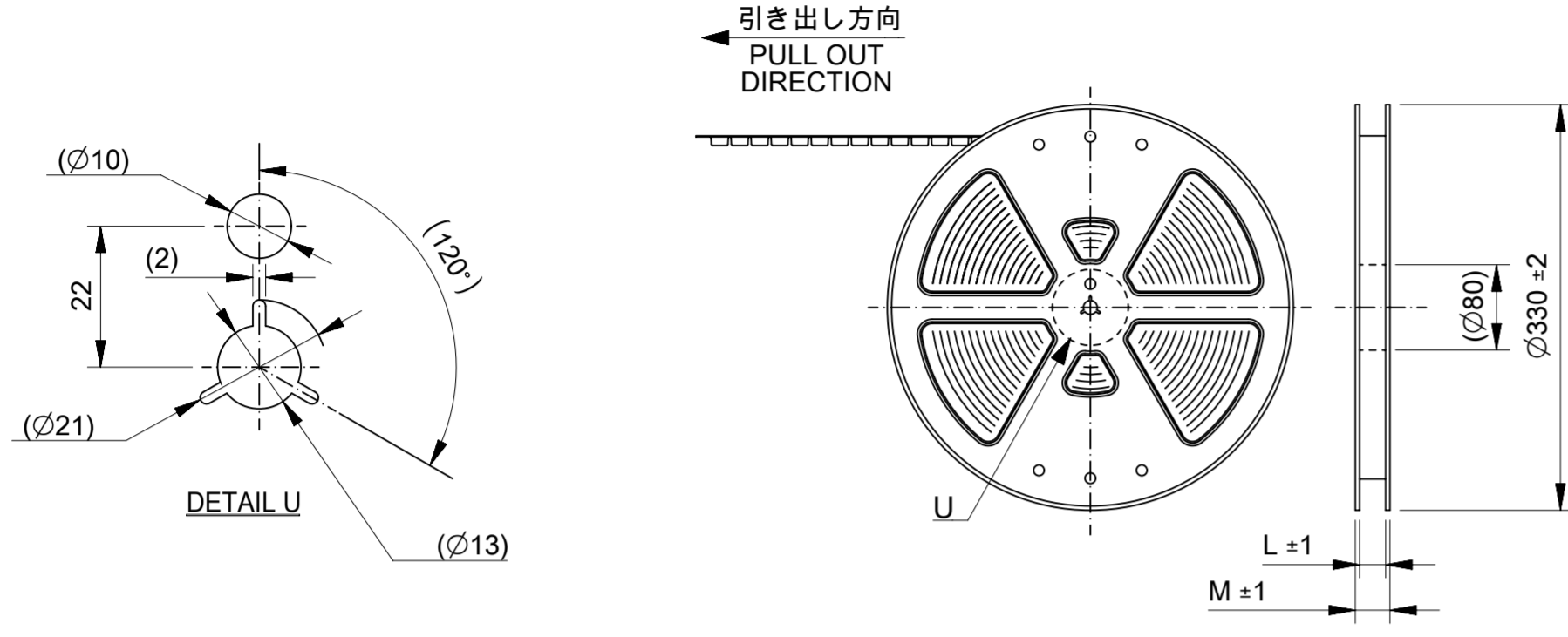
PICOBLADE 1.25  
SMT RIGHT ANGLE TIN PLATING TYPE

PRODUCT CUSTOMER DRAWING

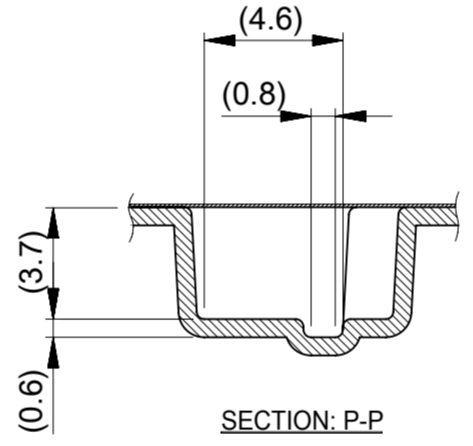
DOCUMENT NUMBER DOC TYPE DOC PART REVISION

532610001-SD PSD 000 A

532611071  
 韓国生産分に適用  
 APPLIES TO PRODUCT  
 PRODUCED BY MXK



32mm幅キャリアテープ  
 32mm WIDTH CARRIER TAPE



37.4	33.4	28.4	12.45	14.2	32	18.25	10
M	L	K	J	H	キャリアテープ幅 G CARRIER TAPE WIDTH G	F	極数 CIRCUIT SIZE

THIS DRAWING CONTAINS INFORMATION THAT IS PROPRIETARY TO MOLEX ELECTRONIC TECHNOLOGIES, LLC AND SHOULD NOT BE USED WITHOUT WRITTEN PERMISSION

DIMENSION UNITS	SCALE	CURRENT REV DESC:		<b>molex</b>			
mm	NTS						
GENERAL TOLERANCES (UNLESS SPECIFIED)				PICOBLADE 1.25 SMT RIGHT ANGLE TIN PLATING TYPE			
ANGULAR TOL	± 3.0°	EC NO: 688261					
4 PLACES	± 0.2	DRWN: QHE31	2021/12/15	PRODUCT CUSTOMER DRAWING			
3 PLACES	± 0.2	CHK'D: SAKIYAMA	2021/12/21				
2 PLACES	± 0.2	APPR: KOMURAKAMI	2021/12/24	DOCUMENT NUMBER: 532610001-SD DOC TYPE: PSD DOC PART: 000 REVISION: A			
1 PLACE	± 0.2	INITIAL REVISION:					
0 PLACES	± 0.2	DRWN: QHE31	2021/12/15	MATERIAL NUMBER: SEE CHART OF SHEET3 CUSTOMER: GENERAL SHEET NUMBER: 4 OF 5			
DRAFT WHERE APPLICABLE MUST REMAIN WITHIN DIMENSIONS		THIRD ANGLE PROJECTION	DRAWING: A2-SIZE				

△ 2 適合製品および各種仕様書  
**APPLICABLE PRODUCTS AND SPECIFICATIONS**

梱包仕様書 PACKING SPECIFICATION	PART NUMBER 53261****			SPECIFICATION NUMBER SPK-53261-002		
適合嵌合相手 MATE WITH	HOUSING 51021****		CRIMP TERMINAL			
		WIRE SIZE (AWG) #26-28	PLATING TIN		PART NUMBER 500798*00	
		#28-32			500588*00	
製品仕様書 PRODUCT SPECIFICATION	PS-51021-024					
アプリケーション仕様書 (取扱説明書) APPLICATION SPECIFICATION	510210001-AS PS 000					

THIS DRAWING CONTAINS INFORMATION THAT IS PROPRIETARY TO MOLEX ELECTRONIC TECHNOLOGIES, LLC AND SHOULD NOT BE USED WITHOUT WRITTEN PERMISSION																																
DIMENSION UNITS	SCALE	CURRENT REV DESC:						<b>molex</b>																								
mm	NTS							PICOBLADE 1.25 SMT RIGHT ANGLE TIN PLATING TYPE																								
GENERAL TOLERANCES (UNLESS SPECIFIED)		<table style="width: 100%; border-collapse: collapse;"> <tr> <td style="font-size: 8px;">EC NO:</td> <td colspan="2">688261</td> </tr> <tr> <td style="font-size: 8px;">DRWN:</td> <td>QHE31</td> <td style="text-align: right;">2021/12/15</td> </tr> <tr> <td style="font-size: 8px;">CHK'D:</td> <td>SAKIYAMA</td> <td style="text-align: right;">2021/12/21</td> </tr> <tr> <td style="font-size: 8px;">APPR:</td> <td>KOMURAKAMI</td> <td style="text-align: right;">2021/12/24</td> </tr> <tr> <td colspan="3" style="font-size: 8px;">INITIAL REVISION:</td> </tr> <tr> <td style="font-size: 8px;">DRWN:</td> <td>QHE31</td> <td style="text-align: right;">2021/12/15</td> </tr> <tr> <td style="font-size: 8px;">APPR:</td> <td>KOMURAKAMI</td> <td style="text-align: right;">2021/12/24</td> </tr> </table>						EC NO:	688261		DRWN:	QHE31	2021/12/15	CHK'D:	SAKIYAMA	2021/12/21	APPR:	KOMURAKAMI	2021/12/24	INITIAL REVISION:			DRWN:	QHE31	2021/12/15	APPR:	KOMURAKAMI	2021/12/24	DOCUMENT NUMBER	DOC TYPE	DOC PART	REVISION
EC NO:	688261																															
DRWN:	QHE31							2021/12/15																								
CHK'D:	SAKIYAMA							2021/12/21																								
APPR:	KOMURAKAMI							2021/12/24																								
INITIAL REVISION:																																
DRWN:	QHE31	2021/12/15																														
APPR:	KOMURAKAMI	2021/12/24																														
ANGULAR TOL	± 3.0 °	532610001-SD			PSD	000	A																									
4 PLACES	± 0.2	A3-SIZE			53261																											
3 PLACES	± 0.2																															
2 PLACES	± 0.2																															
1 PLACE	± 0.2																															
0 PLACES	± 0.2	MATERIAL NUMBER			CUSTOMER																											
DRAFT WHERE APPLICABLE MUST REMAIN WITHIN DIMENSIONS		THIRD ANGLE PROJECTION	DRAWING	SERIES	SHEET NUMBER																											
			A3-SIZE	53261	5 OF 5																											

10 9 8 7 6 5 4 3 2 1

F

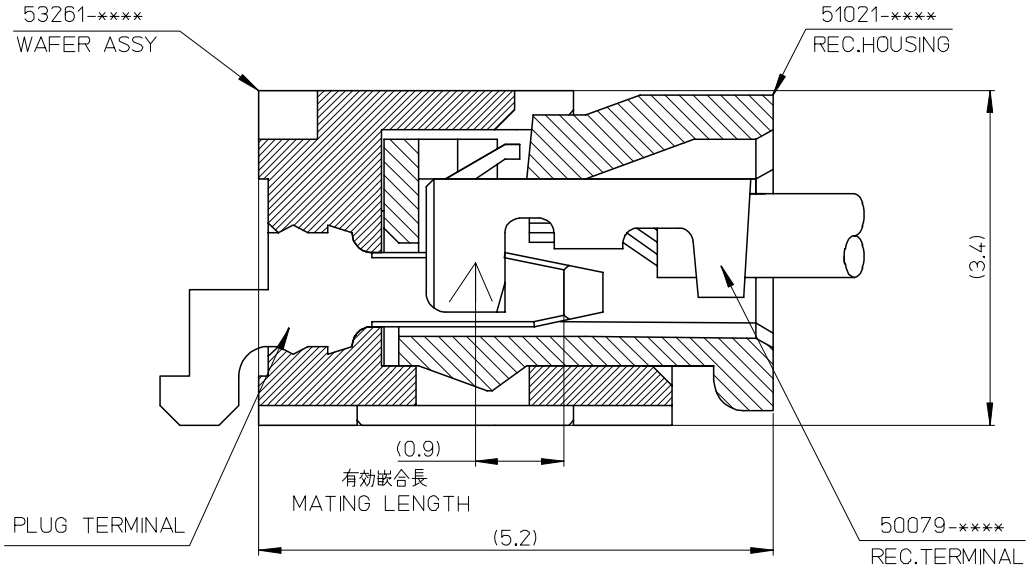
E

D

C

B

A



53261-****	WAFER ASSY	MODEL NO./MATERIAL NO.
50079-****	TERMINAL	
51021-****	HOUSING	

RELEASED EC NO: J2006-2426 DRWN: A0YAGI 2006/02/02 CHKD: YMAEDA 2006/02/03 APPR: NUKITA 2006/02/07	GENERAL TOLERANCES (UNLESS SPECIFIED)		DIMENSION STYLE MM ONLY		SCALE ---	DESIGN UNITS METRIC	THIRD ANGLE PROJECTION		
	10 UNDER	± ---	DRAWN BY Y. A0YAGI	DATE 2006/01/30	TITLE 1.25 W-TO-B CONN. 51021,53261 MATING CROSS SECTION				
	10 OVER 30 UNDER	± ---	CHECKED BY Y. MAEDA	DATE 2006/01/30	MOLEX INCORPORATED				
	30 OVER	± ---	APPROVED BY N. UKITA	DATE 2006/01/30	MATERIAL NO. SEE CHART		DOCUMENT NO. SD-51021-002	SHEET NO. 1 OF 1	
	ANGULAR	± --- °	DRAFT WHERE APPLICABLE MUST REMAIN WITHIN DIMENSIONS						

9

8

7

6

5

4

3

2