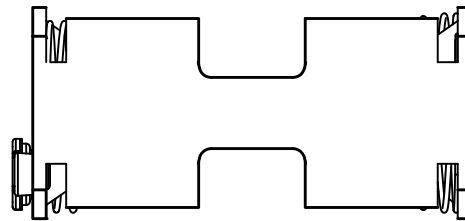
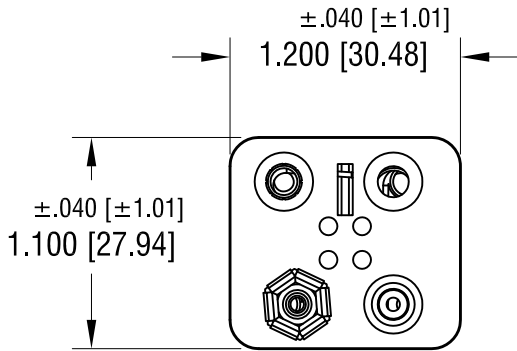
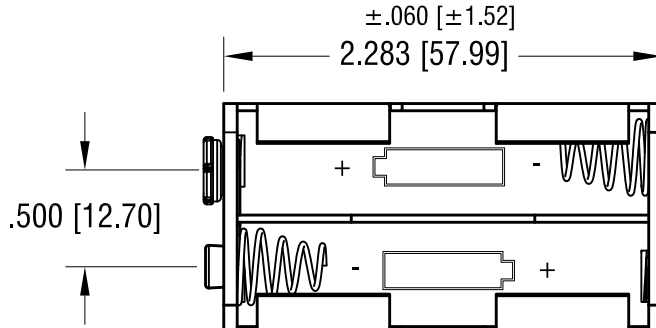
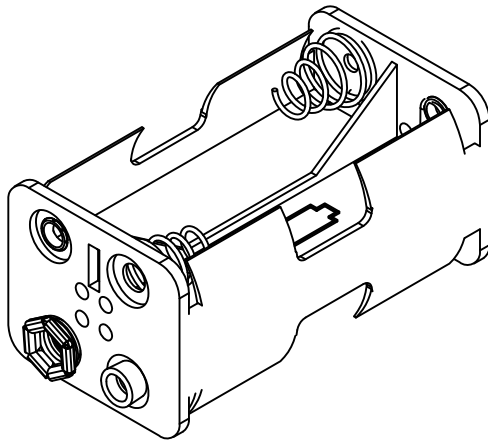


THIS DOCUMENT IS THE PROPERTY OF  
KEYSTONE ELECTRONICS CORP. AND  
SHALL NOT BE REPRODUCED, DISTRIBUTED  
OR USED AS A BASIS FOR MANUFACTURE  
WITHOUT PRIOR WRITTEN PERMISSION  
FROM KEYSTONE ELECTRONICS CORP.



**NOTE:**

- 1. HOLDER: MAT'L: POLYPROPYLENE
- SPRING: MAT'L: MUSIC WIRE, .027 [0.70] DIA.
- CONTACT: MAT'L: BRASS

**KEYSTONE ELECTRONICS CORP.**

www.keyelco.com • ASTORIA, N.Y. 11105-2017 • Tel (718) 956-8900

PART NAME

BATTERY HOLDER WITH SNAP-ON, (4) 'AA'

MATERIAL

AS NOTED

FINISH

NICKEL PLATE

DRN BY

BOONE

DATE

5.3.96

APP'D

LN

SCALE

1X

TOLERANCES

INCH [MM]

DECIMAL

±.010 [±0.25]

CODE

C

ANGULAR

± 1°

UNLESS OTHERWISE SPECIFIED

DWG NO.

2476

7.18.14 CHANGE AS PER ECN 14-074

B

12.26.13 ECN 13-117, (A1) WAS 1.200

A

DATE

DESCRIPTION

REV.